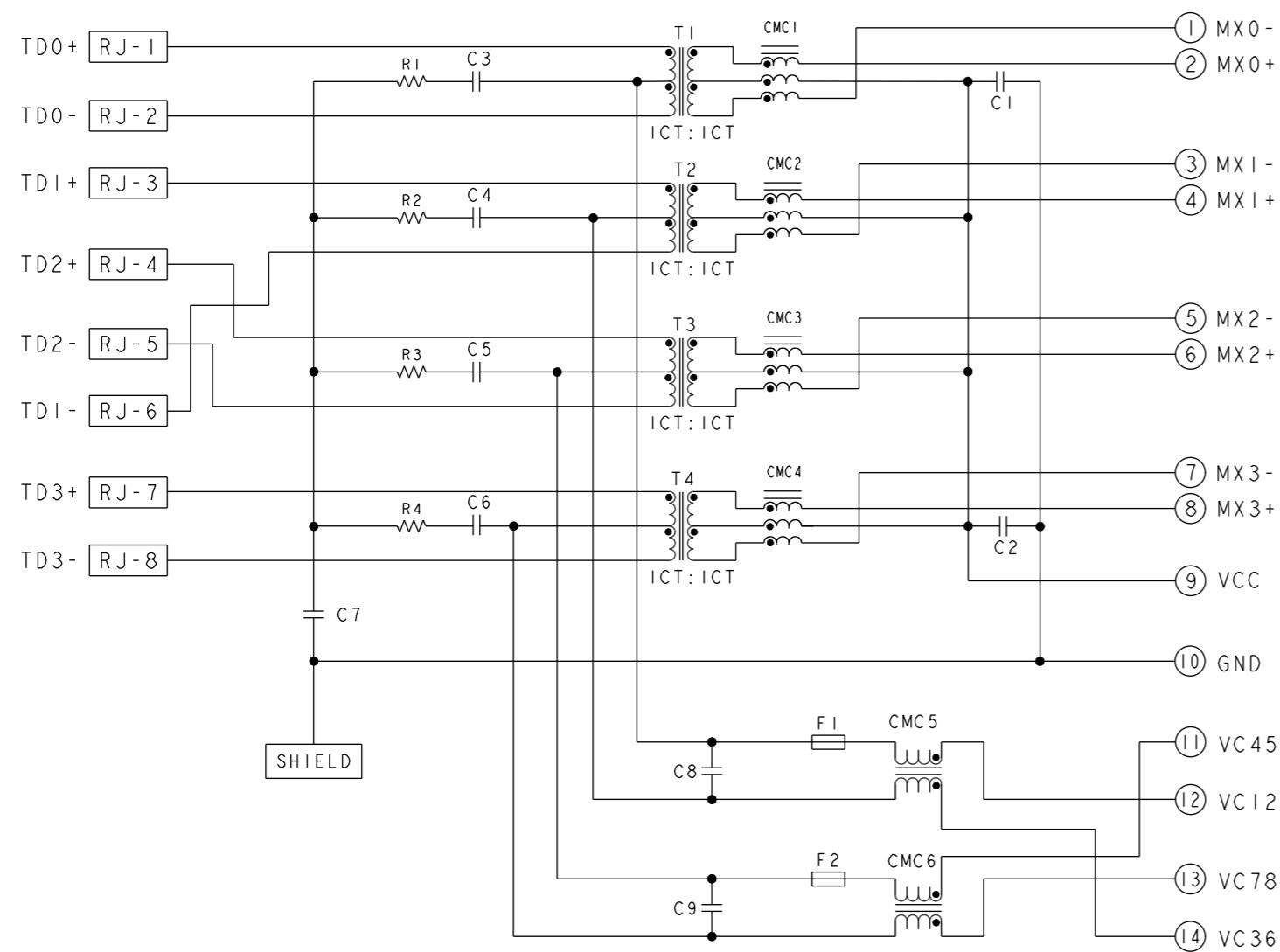


S9HFT02L 5G UPoE CIRCUIT

TOP AND BOTTOM PORTS

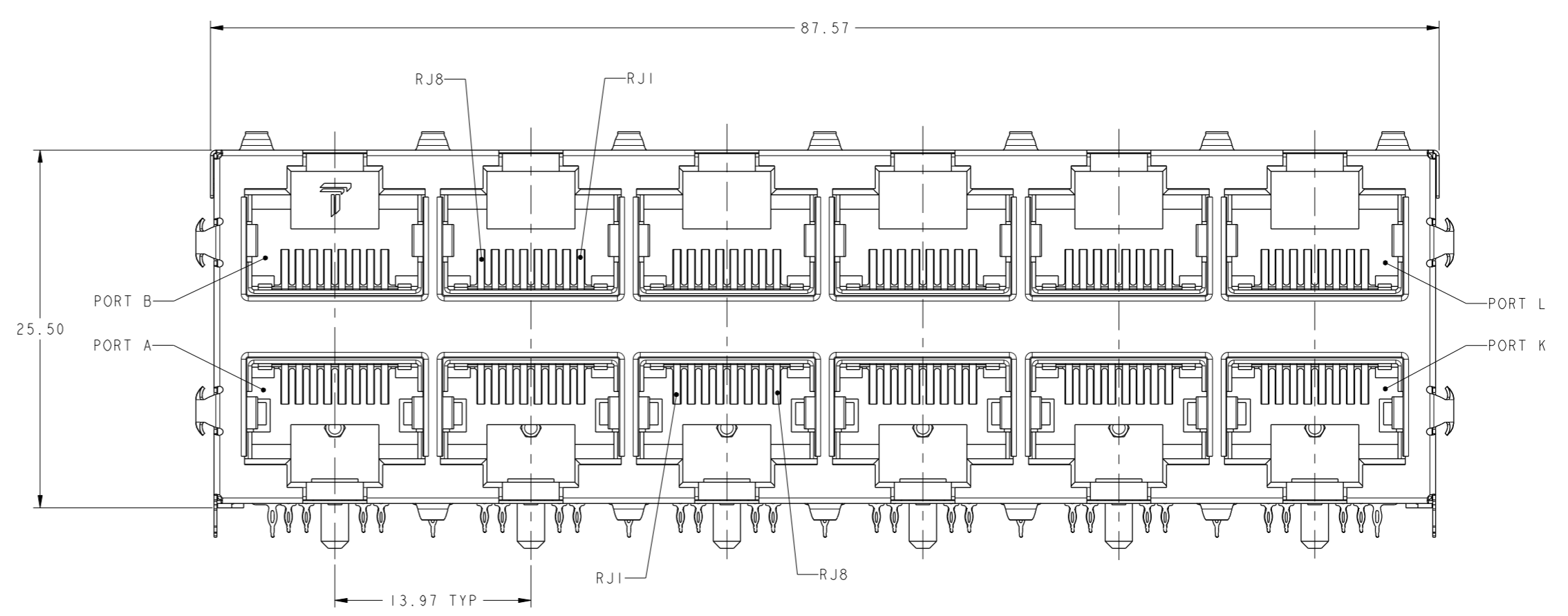
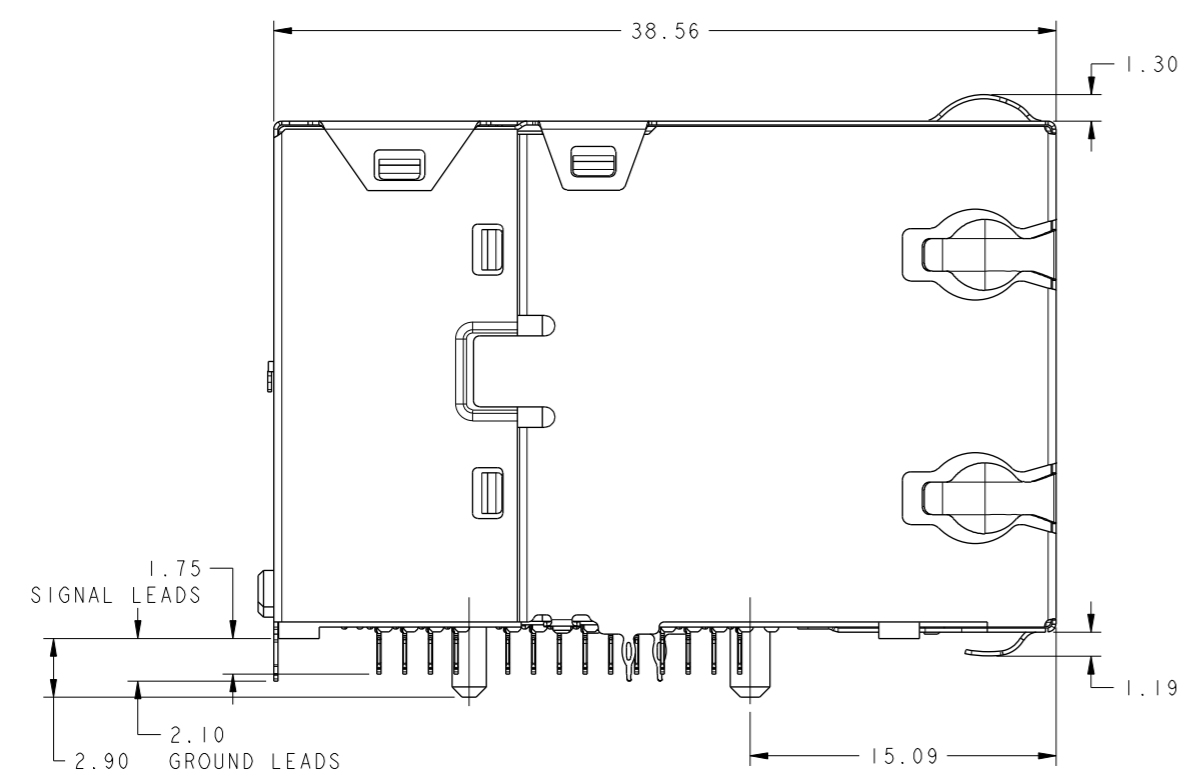
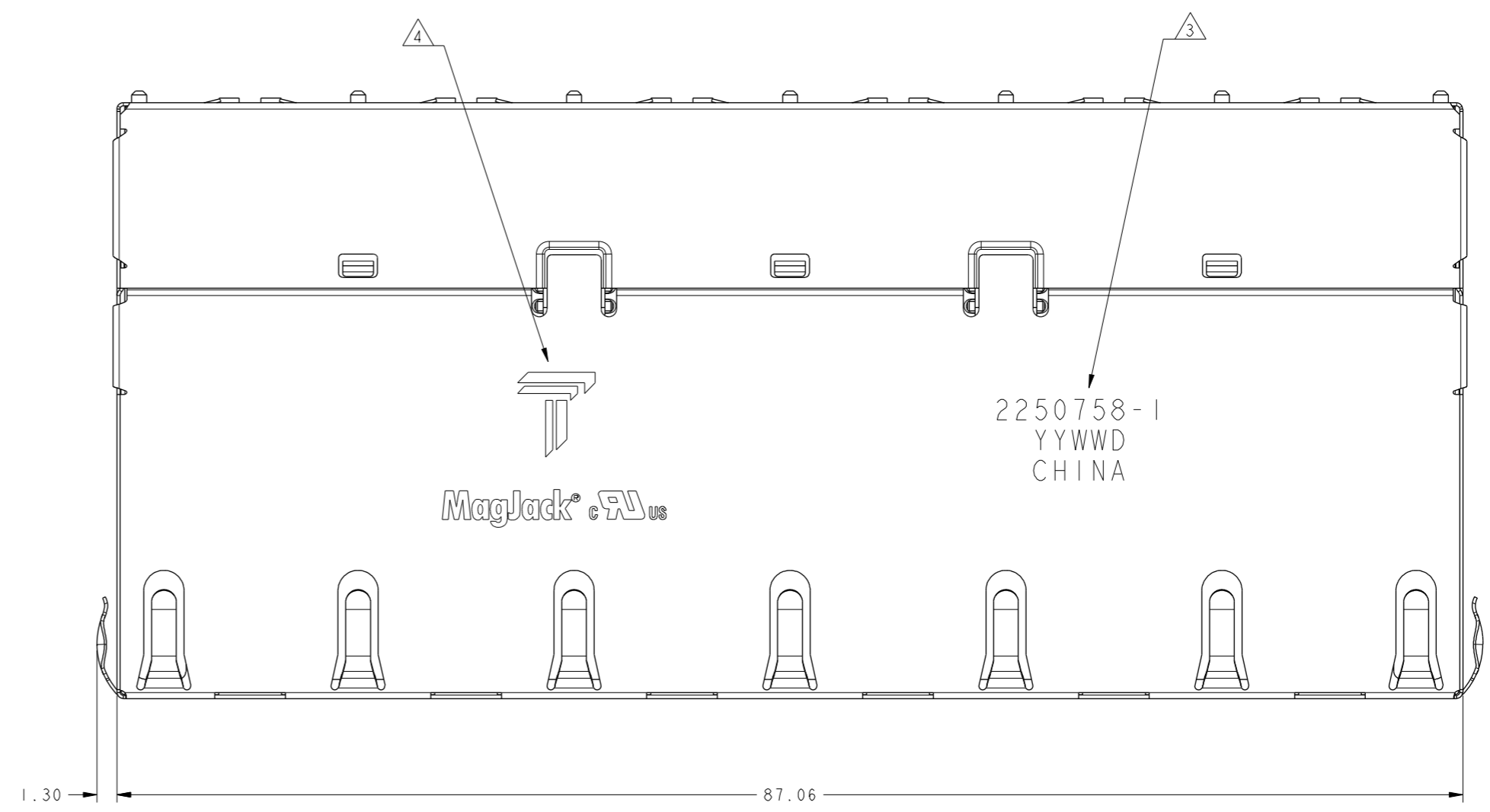



- C1-C2 = 10nF, 50V, X7R, CAPACITORS
- C3-C6 = 22nF, 100V, CAPACITORS
- C7 = 1000pF, 2kV, CAPACITOR
- C8-C9 = 100nF, 100V, X7R, CAPACITORS
- R1-R4 = 75 Ohms, 1/16W, RESISTORS
- F1-F2 = 63V, 1.5A, FUSES

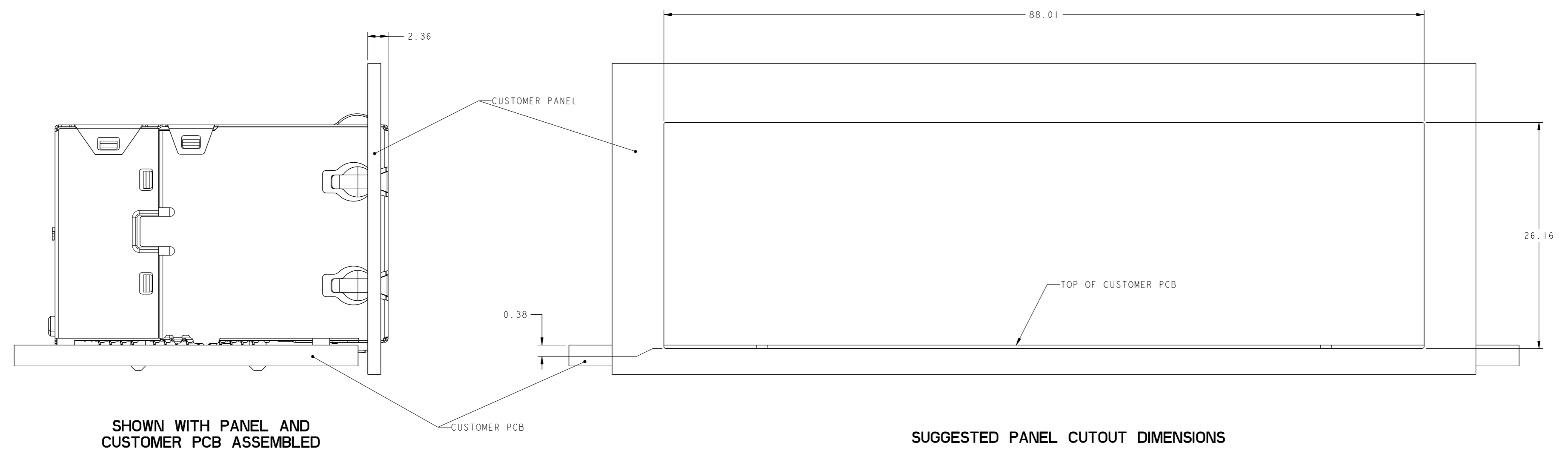
1. MATERIALS:
 PLASTIC HOUSING: BLACK, THERMOPLASTIC FLAMMABILITY RATING UL 94V-0
 SHIELD: BRASS, PREPLATED WITH 0.76um MIN SEMI-BRIGHT NICKEL
 CONTACTS: PHOSPHOR BRONZE, 1.27um MIN OVERALL NICKEL UNDERPLATE WITH SELECT 1.27um MIN GOLD AT MATING INTERFACE AND 2.54um MIN MATTE TIN ON SOLDER TAILS.
- △ MAGNETICS
 APPLICATION: 5G BASE-T, UPoE
 IMPEDANCE: 100 OHMS
 TURNS RATIO (CHIP:CABLE): 1:1 ALL FOUR PAIRS
 OPEN CIRCUIT INDUCTANCE (OCL):
 ALL CHANNELS 180uH MIN @ 100KHz, 0.1 VRMS WITH 8mA DC BIAS FROM 0°C TO 70°C,
 120uH MIN @ 100KHz, 0.1 VRMS WITH 19mA DC BIAS FROM 0°C TO 70°C
 ALL FOUR PAIRS BI-DIRECTIONAL
 POE CURRENT: 600mA DC
 PERFORMANCE @ 25°C (WHERE f IS FREQUENCY IN MHz):
 RETURN LOSS (MAX)
 1 MHz - 50 MHz -20 dB
 50 MHz - 200 MHz -20 + 8log10 (f/50)
 200 MHz - 300 MHz -15 + 30log10 (f/200)
 ISOLATION VOLTAGE: 2250VDC(MAX) FOR 60 SECONDS WITH A RISE TIME OF 500V/SEC AND WITH ALL PORTS CONNECTED.
- △ PART NUMBER, DATE CODE AND COUNTRY OF ORIGIN ARE LOCATED IN APPROXIMATE AREA SHOWN. DATE CODE "YY" IS YEAR, "WW" IS WORK WEEK, "D" IS DAY OF WEEK, WITH SUNDAY=1
- △ COMPANY LOGO AND AGENCY APPROVAL LOGO ARE LOCATED IN APPROXIMATE AREA SHOWN.
5. OPERATING TEMP: FROM 0°C TO 70°C.
6. RJ45 CAVITY CONFORMS TO FCC RULES AND REGULATION PART 68 SUBPART F.
- △ INDICATED MAGNETIC CONNECTIONS ARE SYMMETRICAL AND SUPPORT AUTO-MDI/MDIX.
- △ DATUM AND BASIC DIMENSION ESTABLISHED BY CUSTOMER.
- △ BASIC DIMENSION ESTABLISHED BY CUSTOMER, BUT MAY NOT BE GREATER THAN 9.27mm.
- △ FOR HOLE SIZE AND PLATINGS, SEE SHEET 5.
11. THIS DRAWING IS RESTRICTED TO CISCO CORPORATION

2250758-1
PART NUMBER

THIS DRAWING IS A CONTROLLED DOCUMENT AND COMPLIANT TO ASME Y14.5M		DWN: RICK LI 16APR2021	<p>trp CONNECTOR DONGGUAN CHINA</p>
DIMENSIONS: mm		CHK: BILL LIU 16APR2021	
TOLERANCES UNLESS OTHERWISE SPECIFIED:		APVD: TONY YUAN 16APR2021	DESC: 2X6 S9HFT02L 5G UPoE PRESSFIT W/O LED
0 PLC ±	1 PLC ±	MODEL NAME: MAGJACK STACK 4PPOE	SIZE: A1
2 PLC ±0.25	3 PLC ±	RESTRICTED TO: CS1	SCALE: NTS
4 PLC ±	ANGLES ±	PRODUCT SPEC: 108-104017	SHEET 1 OF 6
APPLICATION SPEC		RESTRICTED CUSTOMER	REV 1

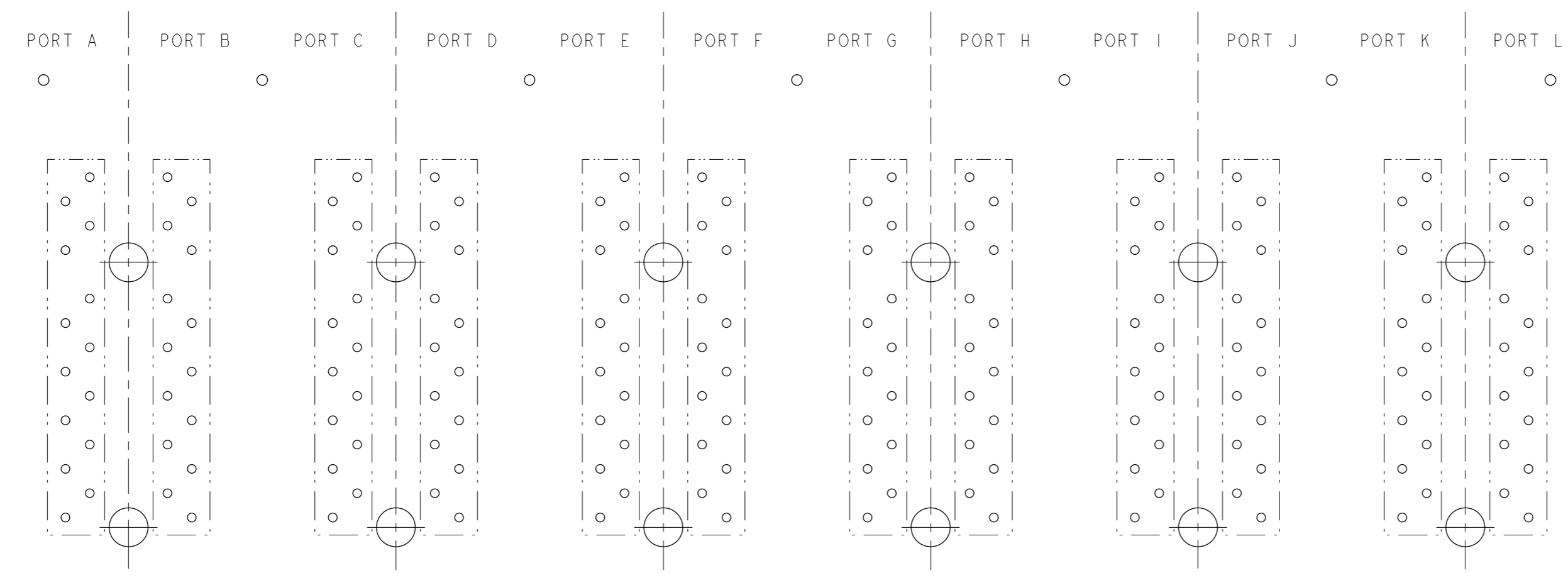


THIS DRAWING IS A CONTROLLED DOCUMENT. AND COMPLIANT TO ASME Y14.5M		DNW: RICK LI 16APR2021	 trp CONNECTOR a bel group DONGGUAN CHINA
DIMENSIONS: mm		CHK: BILL LIU 16APR2021	
TOLERANCES UNLESS OTHERWISE SPECIFIED:		APPV: TONY YUAN 16APR2021	
0 PLC ± 1 PLC ± 2 PLC ±0.25 3 PLC ± 4 PLC ± ANGLES ± APPLICATION SPEC	MODEL NAME MAGJACK STACK 4P0E	DESC 2X6 S9HFT02L 5G UPoE PRESSFIT W/O LED	RESTRICTED TO CS1
PRODUCT SPEC 108-104017	SCALE NTS	DRAWING NO C=2250758	SHEET 2 OF 6 REV 1



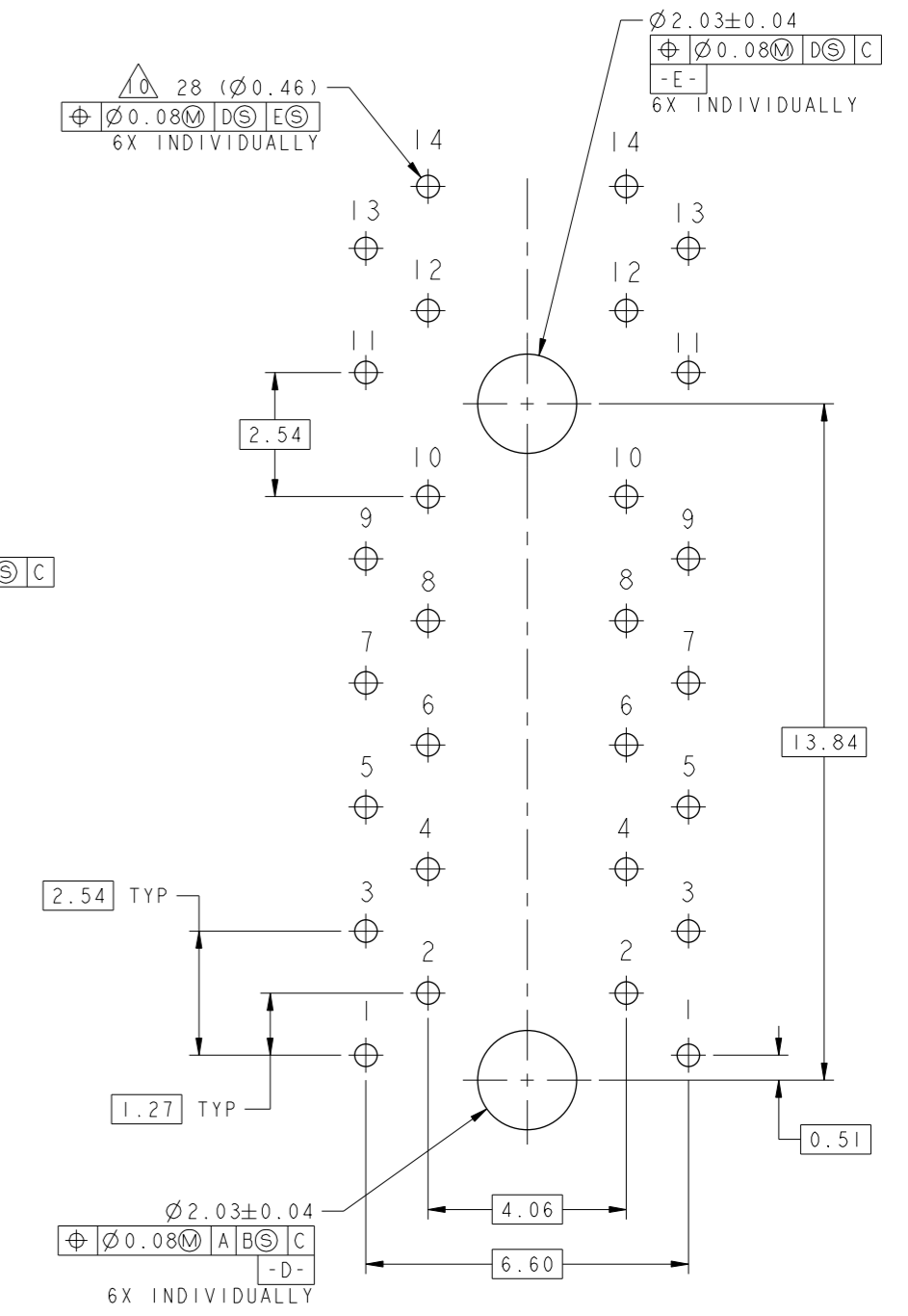
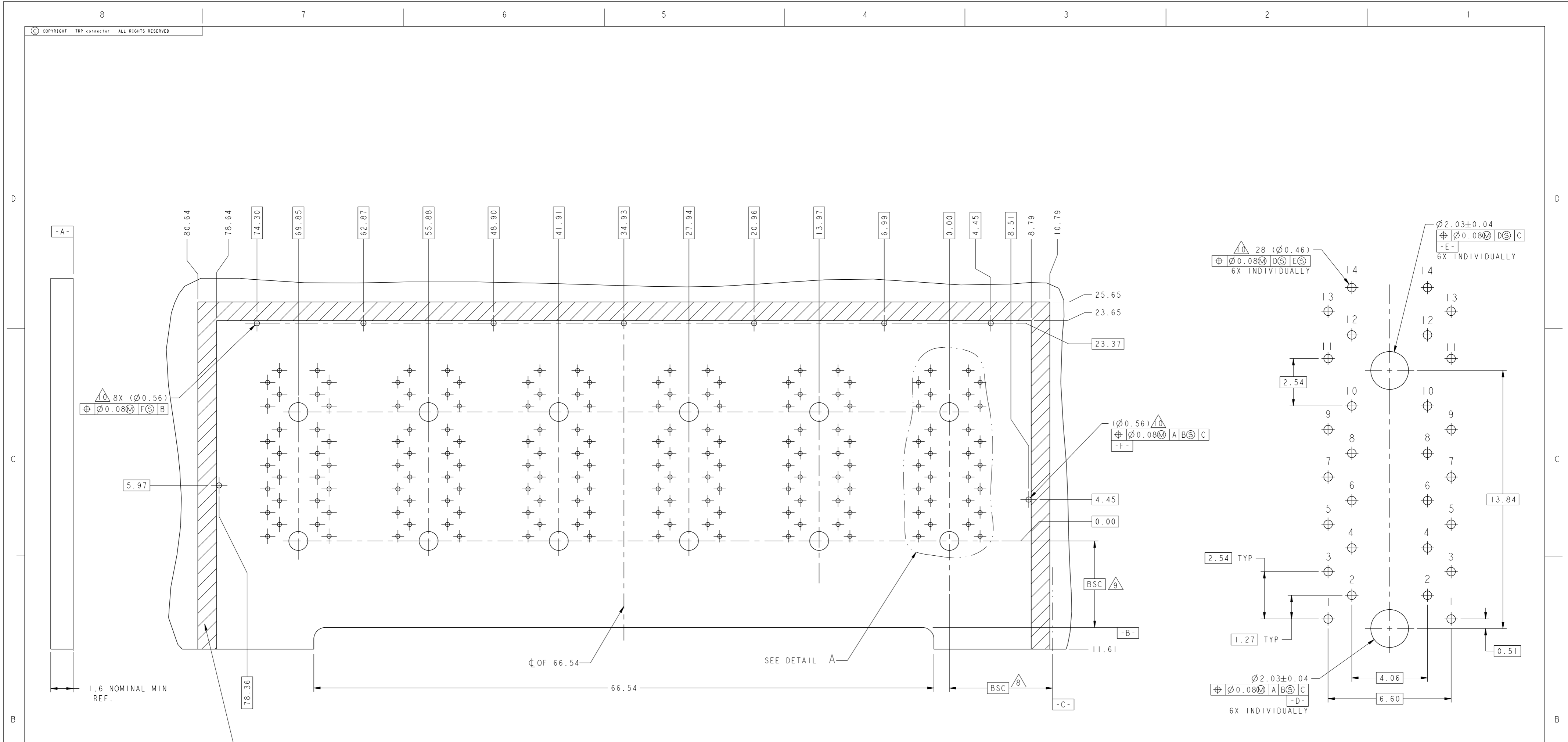
SHOWN WITH PANEL AND CUSTOMER PCB ASSEMBLED

SUGGESTED PANEL CUTOUT DIMENSIONS



PORT ASSIGNMENT VIEWED FROM COMPONENT SIDE

THIS DRAWING IS A CONTROLLED DOCUMENT AND COMPLIANT TO ASME Y14.5M		DWN: RICK LI 16APR2021 CHK: BILL LIU 16APR2021 APPR: TONY YUAN 16APR2021	trp CONNECTOR a bel group DONGGUAN CHINA
DIMENSIONS: mm TOLERANCES UNLESS OTHERWISE SPECIFIED: 0 PLC ± 1 PLC ± 2 PLC ±0.25 3 PLC ± 4 PLC ± ANGLES ± APPLICATION SPEC	MODEL NAME: MAGJACK STACK 4PPOE	DESC: 2X6 S9HFT02L 5G UPoE PRESSFIT W/O LED SIZE: A1 CAGE CODE: C=2250758 DRAWING NO: CS1 RESTRICTED TO: RESTRICTED CUSTOMER	
PRODUCT SPEC: 108-104017	SCALE: NTS SHEET: 3 OF 6 REV: 1		

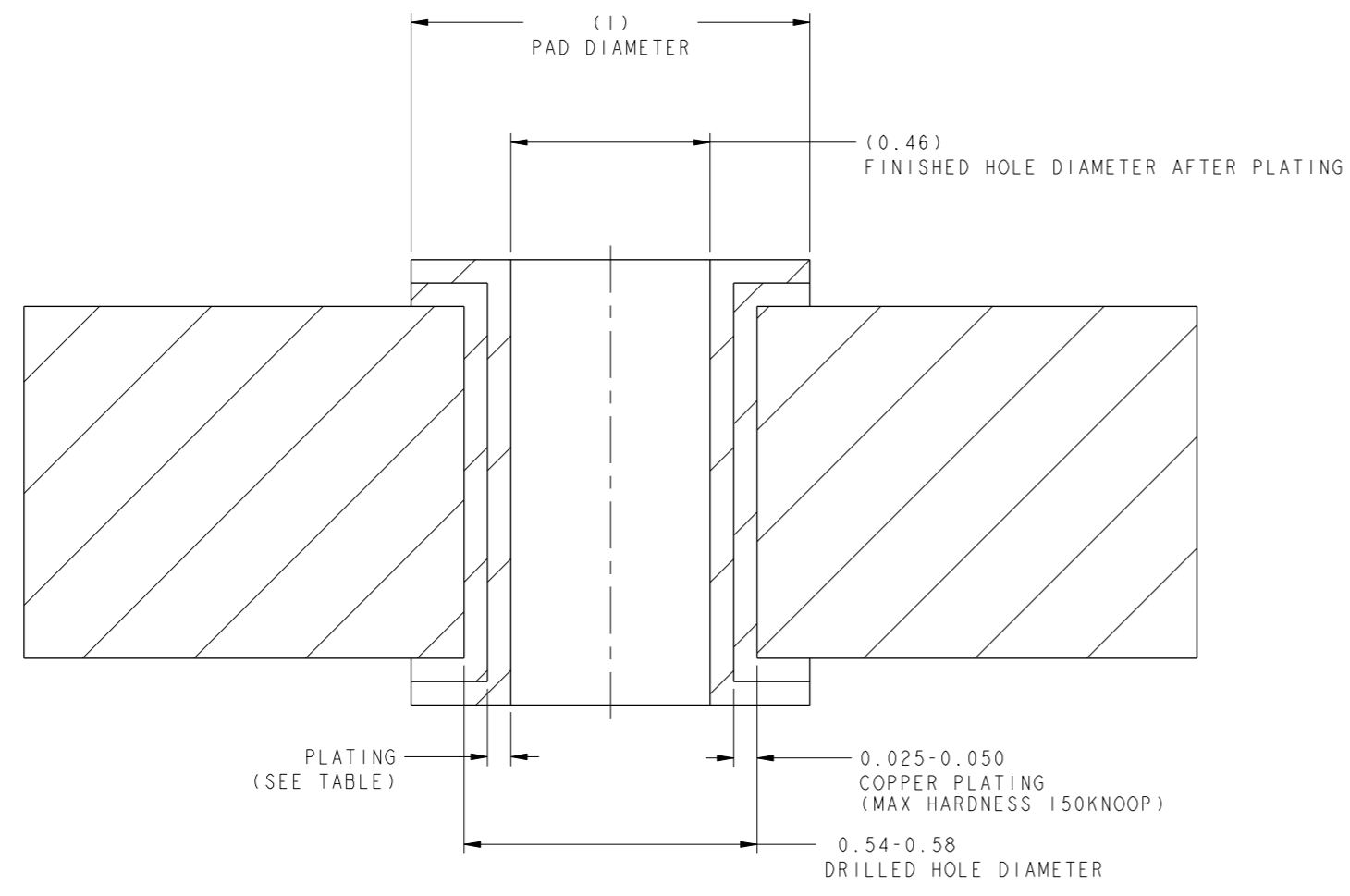


IT IS RECOMMENDED THAT SHADED AREA WHICH IS RESERVED TO PLACE EXTRACTION TOOL ON CUSTOMER PC BOARD BE CLEAR OF ANY COMPONENT, CIRCUIT TRACE EXCEPT GROUNDING TRACE

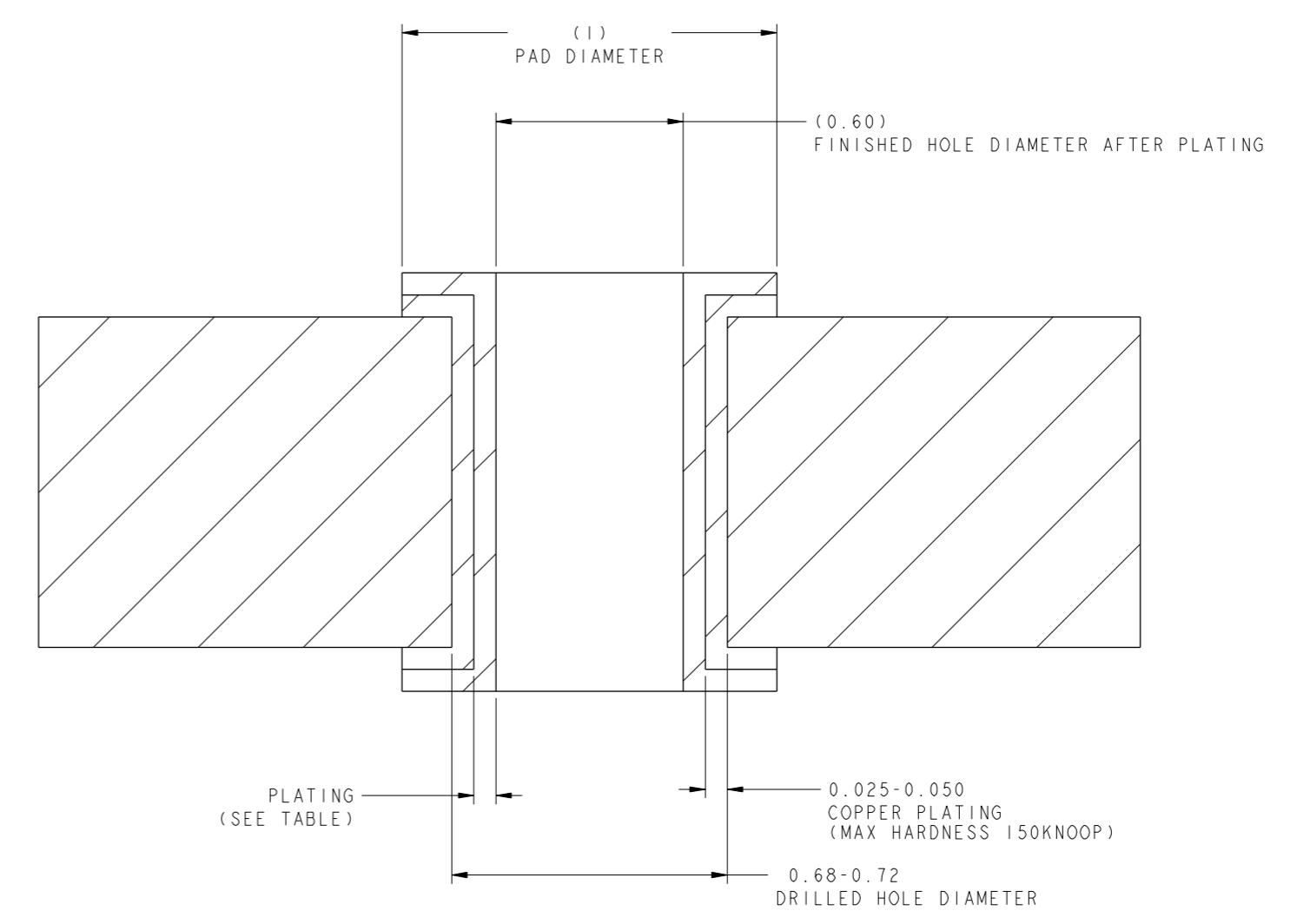
**RECOMMENDED CUSTOMER PCB LAYOUT
VIEWED FROM COMPONENT SIDE**

DETAIL A
BOARD PIN IDENTIFIERS
SCALE 10:1

THIS DRAWING IS A CONTROLLED DOCUMENT AND COMPLIANT TO ASME Y14.5M		DWN: RICK LI 16APR2021 CHK: BILL LIU 16APR2021 APPR: TONY YUAN 16APR2021	TRP CONNECTOR a bel group DONGGUAN CHINA
DIMENSIONS: mm TOLERANCES UNLESS OTHERWISE SPECIFIED: 0 PLC ± 1 PLC ± 2 PLC ±0.25 3 PLC ± 4 PLC ± ANGLES ± APPLICATION SPEC	MODEL NAME: MAGJACK STACK 4PPOE	DESC: 2X6 S9HFT02L 5G UPoE PRESSFIT W/O LED SIZE: A1 CAGE CODE: C=2250758 DRAWING NO: 108-104017	
PRODUCT SPEC: 108-104017		RESTRICTED CUSTOMER	RESTRICTED TO: CS1 SCALE: NTS SHEET: 4 OF 6 REV: 1



RECOMMENDED HOLE DIMENSIONS FOR SIGNAL CONTACTS



RECOMMENDED HOLE DIMENSIONS FOR SHIELD CONTACTS


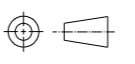
THICKNESS	PLATING
0.004-0.010	HOT AIR SOLDER LEVELING (HASL) TIN-LEAD (Sn Pb)
0.0005-0.001	IMMERSION TIN (Sn)
0.0002-0.0005	ORGANIC SOLDERABILITY PRESERVATIVE (OSP)
0.0001-0.0005 Au, 0.004-0.0076 Ni	IMMERSION GOLD (Au) OVER NICKEL (Ni) (ENIG)
0.010-0.025	TIN LEAD PLATING (Sn Pb)
0.0001-0.00015	IMMERSION SILVER (Ag)

THIS DRAWING IS A CONTROLLED DOCUMENT AND COMPLIANT TO ASME Y14.5M

DIMENSIONS: mm 	TOLERANCES UNLESS OTHERWISE SPECIFIED: 0 PLC ± 1 PLC ± 2 PLC ±0.25 3 PLC ± 4 PLC ± ANGLES ± APPLICATION SPEC	DWN: RICK LI 16APR2021 CKD: BILL LIU 16APR2021 APVD: TONY YUAN 16APR2021 MODEL NAME: MAGJACK STACK 4PPOE PRODUCT SPEC: 108-104017	DESC: 2X6 S9HFT02L 5G UPoE PRESSFIT W/O LED SIZE: A1 CAGE CODE: C=2250758 DRAWING NO: 2250758 RESTRICTED TO: CS1 RESTRICTED CUSTOMER	DONGGUAN CHINA a bel group
-----------------------	---	--	---	-------------------------------

SCALE: NTS SHEET 5 OF 6 REV 1

2250758					STOCK DISPOSITION			
2X6 S9HFT02L 5G UPoE PRESSFIT W/O LED					A: CONTINUE AS IS		D: USE OLD FIRST	
					B: REWORK		E: PARTS TO CONFORM	
					C: SCRAP		F: OTHER	
REVISION HISTORY								
DATE	REV	CHANGES	REASON	APPROVAL	INVENTORY (A,B,C,D,E,F)	WORK IN PROCESS (A,B,C,F)	SUPPLIER ORDERS (A,E,F)	OPEN CUST ORDERS (A,E,F)
16APR2021	I	-	INITIAL RELEASE	TY	-	-	-	-

THIS DRAWING IS A CONTROLLED DOCUMENT. AND COMPLIANT TO ASME Y14.5M		DNW RICK LI 16APR2021	 trp CONNECTOR a bel group DONGGUAN CHINA
DIMENSIONS: mm		CHK BILL LIU 16APR2021	
		APPR TONY YUAN 16APR2021	
0 PLC ± 1 PLC ± 2 PLC ±0.25 3 PLC ± 4 PLC ± ANGLES ± APPLICATION SPEC		MODEL NAME MAGJACK STACK 4PPOE	DESC 2X6 S9HFT02L 5G UPoE PRESSFIT W/O LED
PRODUCT SPEC 108-104017		SIZE A1	CAGE CODE C=2250758
RESTRICTED CUSTOMER		RESTRICTED TO CS1	SCALE NTS
		SHEET 6	OF 6
		REV I	