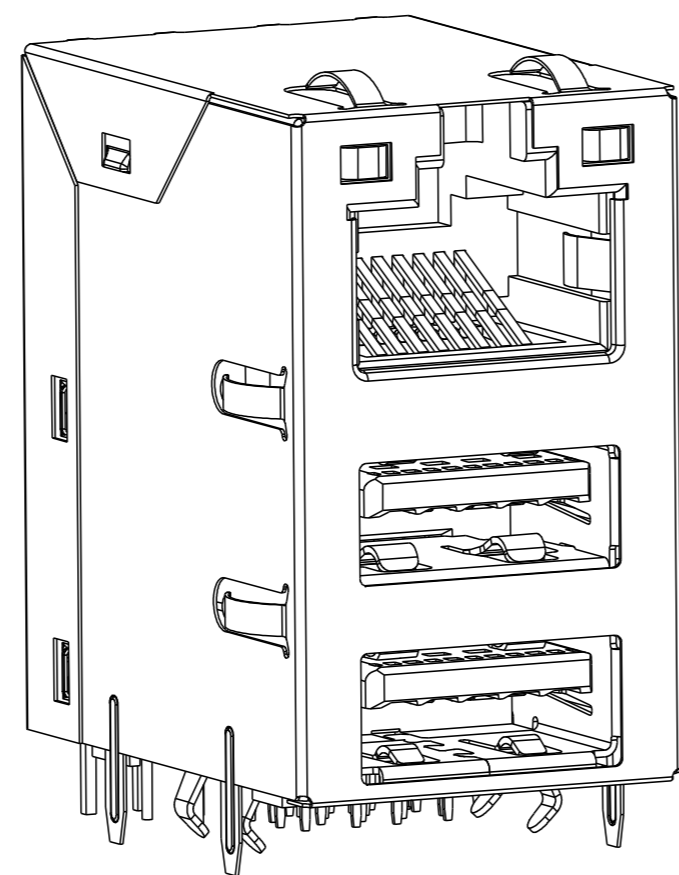


THIS DRAWING AND THE SUBJECT MATTER SHOWN THEREON ARE CONFIDENTIAL AND THE PROPERTY OF BEL/STEWART/TRP CONNECTOR AND SHALL NOT BE REPRODUCED, COPIED, OR USED IN ANY MANNER WITHOUT THE WRITTEN CONSENT OF TRP CONNECTOR.

PRODUCT MAY BE PROTECTED BY ONE OR MORE OF THE FOLLOWING US PATENTS:  
 5736910 5939955 6425781 6428361 6554638 6840817 7123117  
 7429195 7717749 7808751 6217391 6149050 7924130

REVISIONS

P	LTR	DESCRIPTION	DATE	DWN	APVD
1		INITIA LRELEASE	25OCT2017	TRY	TY
2		EC-2003015	19MAR2020	TRY	TY

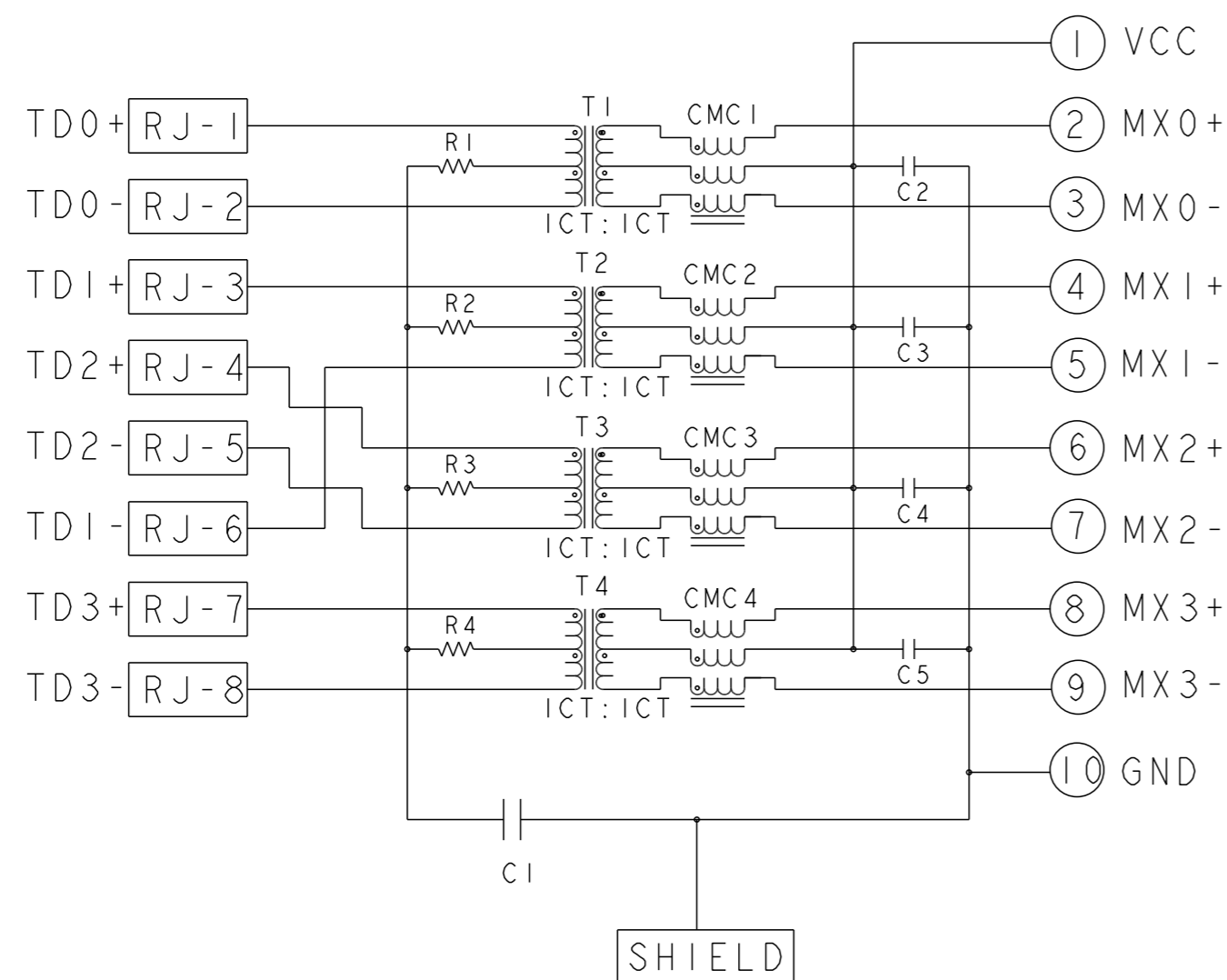


WITH EMI FINGER

- MATERIALS
  - USB MATERIALS:
    - HOUSING: THERMOPLASTIC, BLUE, FLAMMABILITY RATING UL 94V-0
    - USB 3.0 CONTACT TYPE 1: PHOSPHOR BRONZE, WITH 1.27um MIN OVERALL NICKEL UNDERPLATE AND SELECTIVE 0.762um MIN GOLD PLATING AT MATING INTERFACE
    - USB 3.0 CONTACT TYPE 2: COPPER BASE ALLOY, WITH 1.27um MIN OVERALL NICKEL UNDERPLATE AND SELECTIVE 0.762um MIN GOLD PLATING AT MATING INTERFACE
  - RJ45 MATERIALS:
    - HOUSING: THERMOPLASTIC, BLACK, FLAMMABILITY RATING UL 94V-0
    - SHIELD:XCX
    - CONTACT: PHOSPHOR BRONZE,WITH 1.27um MIN OVERALL NICKEL UNDERPLATE AND SELECTIVE 1.27um MIN GOLD PLATING AT MATING INTERFACE
  - LED MATERIALS:
    - DIFFUSED EPOXY LENS, CARBON STEEL LEAD FRAME LEADS, PREPLATED WITH 2.03um MIN SILVER OVER 1.02 MIN NICKEL OVER 1.02um MIN COPPER UNDERPLATE, POST PLATED WITH 2.54um MIN MATTE TIN AND/OR 2.54um MIN SAC SOLDER DIP OR PURE TIN SOLDER DIP.

- MAGNETICS
  - APPLICATION : 10/100/1000 BASE-T EXTEND TEMPERATURE
  - IMPEDANCE: 100 OHMS
  - TURNS RATIO(CHIP:CABLE): 1:1 ALL FOUR PAIRS
  - OPEN CIRCUIT INDUCTANCE(OCL):350uH MIN @100kHz, 0.1 VRMS, 8mADC BIAS FROM -40°C TO 85°C, ALL FOUR PAIRS
  - ALL FOUR PAIRS BI-DIRECTIONAL
  - PERFORMANCE @ 25°C:
    - INSERTION LOSS (IL): 1.1 dB MAX FROM 0.5MHz TO 100MHz
    - RETURN LOSS (RL): 18dB MIN FROM 0.5MHz TO 40MHz
    - 12-20LOG(f/80)dB MIN FROM 40.1 MHz TO 100MHz
    - CROSSTALK ATTENUATION:35 dB MIN FROM 0.5 MHz TO 40 MHz
    - 33-20LOG(f/50) dB MIN FROM 40.1 MHz TO 100 MHz
    - COMMON MODE REJECTION RATIO (CMRR): 30dB MIN FROM 0.5MHz TO 100MHz
    - ISOLATION VOLTAGE:2250VDC (MAX) FOR 60 SECONDS WITH A RISE TIME OF 500V/SEC.
- THE MAGNETIC CIRCUIT ON ALL FOUR CHANNELS IS SYMMETRICAL AND SUPPORTS AUTO-MDIX OPERATION.
- OPERATING TEMPERATURE: -40°C TO 85°C
- DATUM Y AND BASIC DIMENSION ESTABLISHED BY CUSTOMER.
- RJ45 CAVITY CONFORMS TO FCC RULES AND REGULATION PART 68 SUBPART F.
- TRP CONNECTOR LOGO, PART NUMBER, DATE CODE, COUNTRY OF ORIGIN, AGENCY APPROVAL MARKING IN APPROPRIATE LOCATION SHOWN.  
DATE CODE: YYWW WHERE "YY" IS YEAR, "WW" IS WORK WEEK, "D" IS DAY OF WEEK, WITH SUNDAY= 1
- LED IS DRIVEN WITH CONSTANT CURRENT AT APPROX 20mA  
LED COLOR: DONINANT WAVELENGTH (λD), GREEN = 568±5nm TYP. at IF=20mA  
FORWARD VOLTAGE(VF), GREEN 2.2V TYP. at IF=20mA.  
DONINANT WAVELENGTH (λD)), ORANGE = 605±5nm TYP. at IF=20mA.  
FORWARD VOLTAGE(VF), ORANGE 2.1V TYP. at IF=20mA.
- PART SHOULD BE COMPLIANT TO WAVE SOLDERING PROCESS, PREHEAT TEMPERATURE IS 120°C TO 160°C, 120 SECONDS TO 180 SECONDS, PEAK SOLDERING TEMPERATURE IS 260°C MAX, 10 SECONDS MAX
- PART SHOULD BE COMPLIANT TO IR REFLOW SOLDERING PROCESS, PEAK SOLDERING TEMPERATURE 260°C MAX DURATION TIME 10 SECONDS MAX, OVER 230°C WITHIN 40-60 SECONDS.

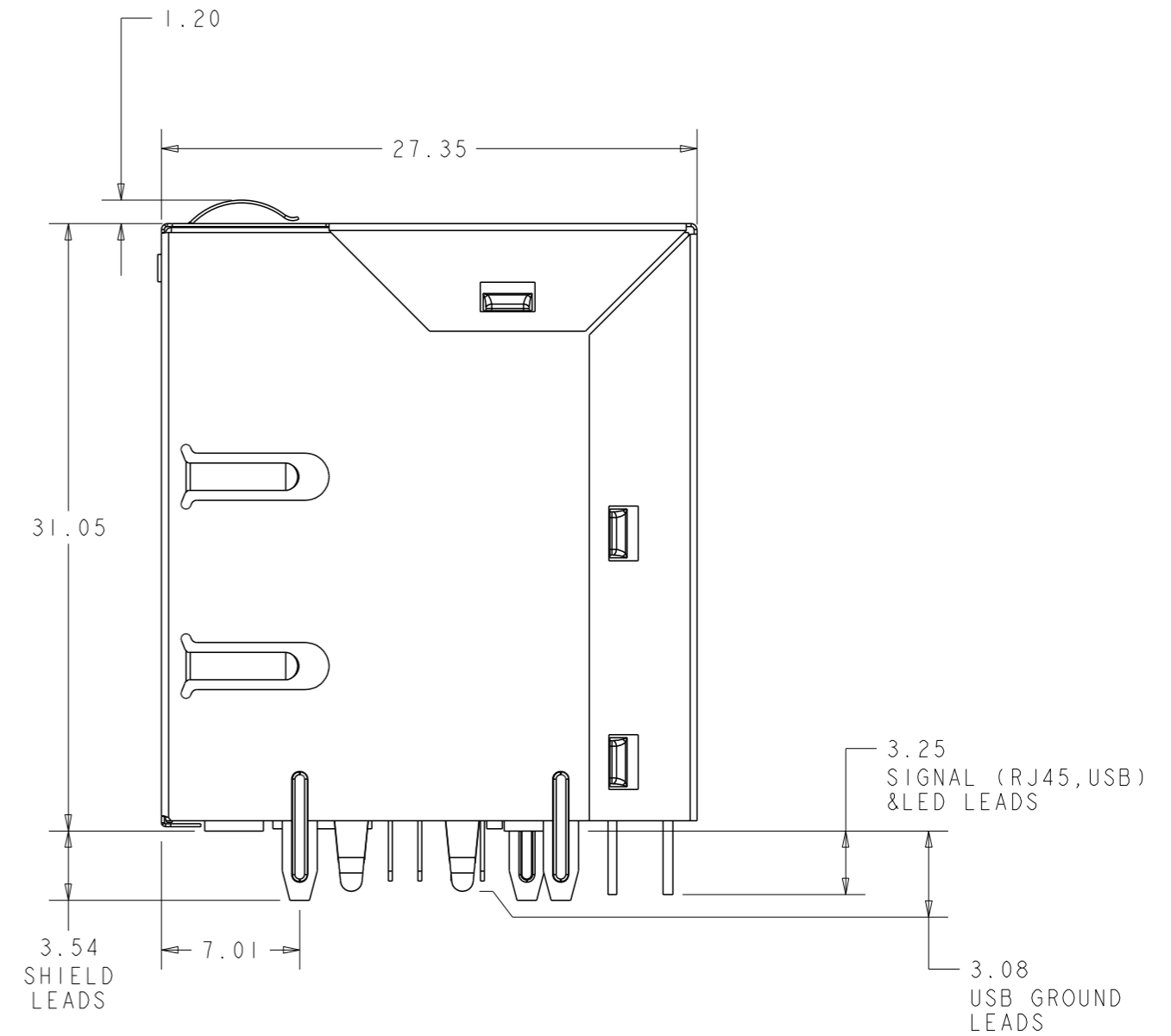
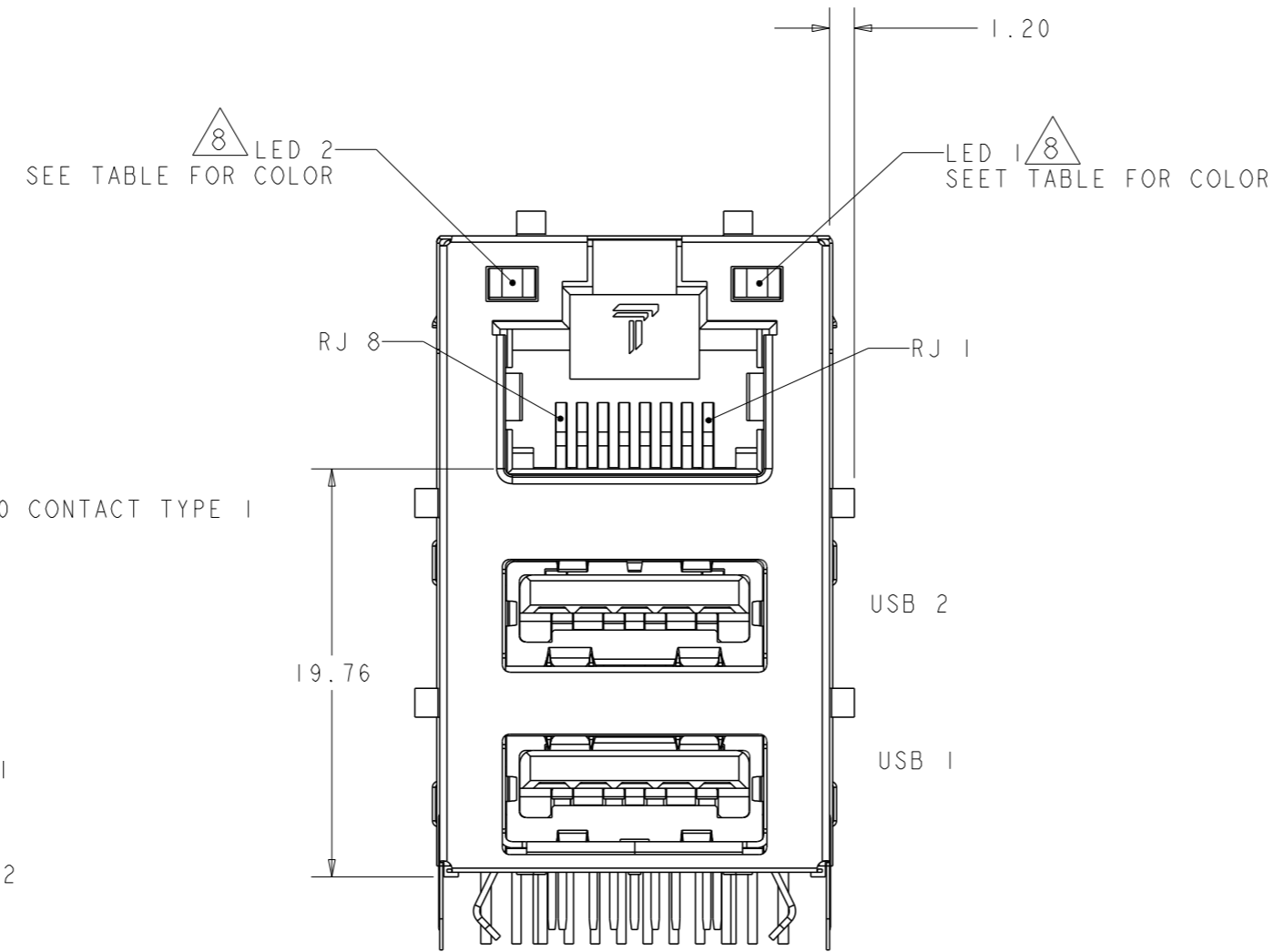
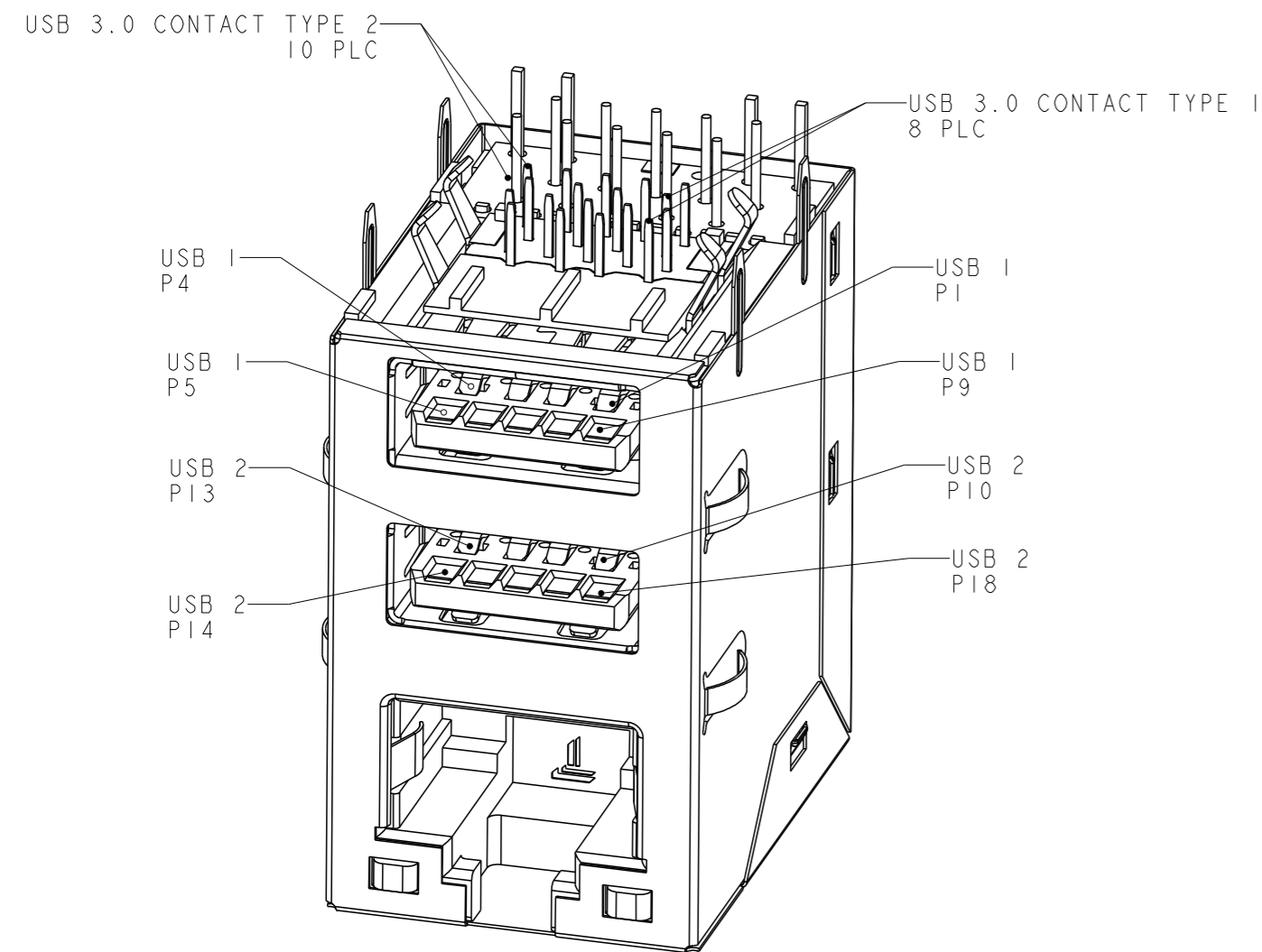
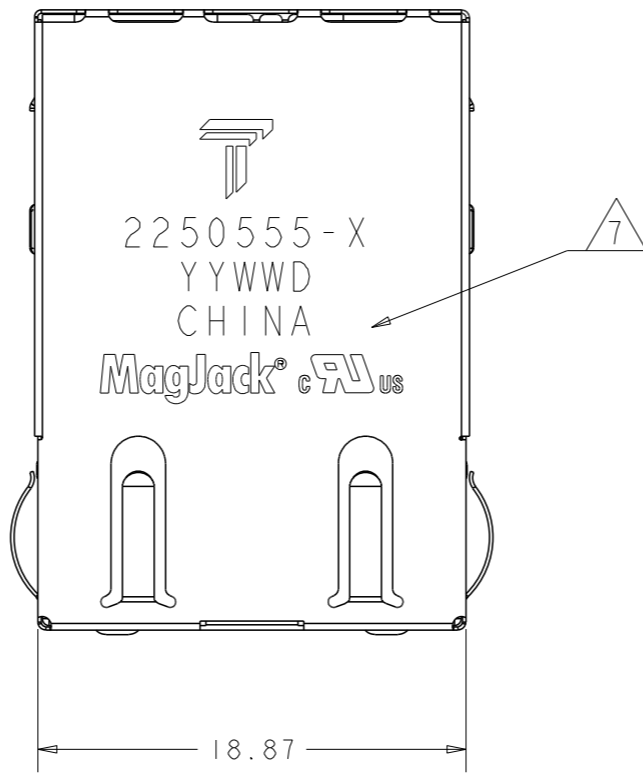
URG154GET GIGABIT CIRCUIT 2 3

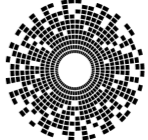


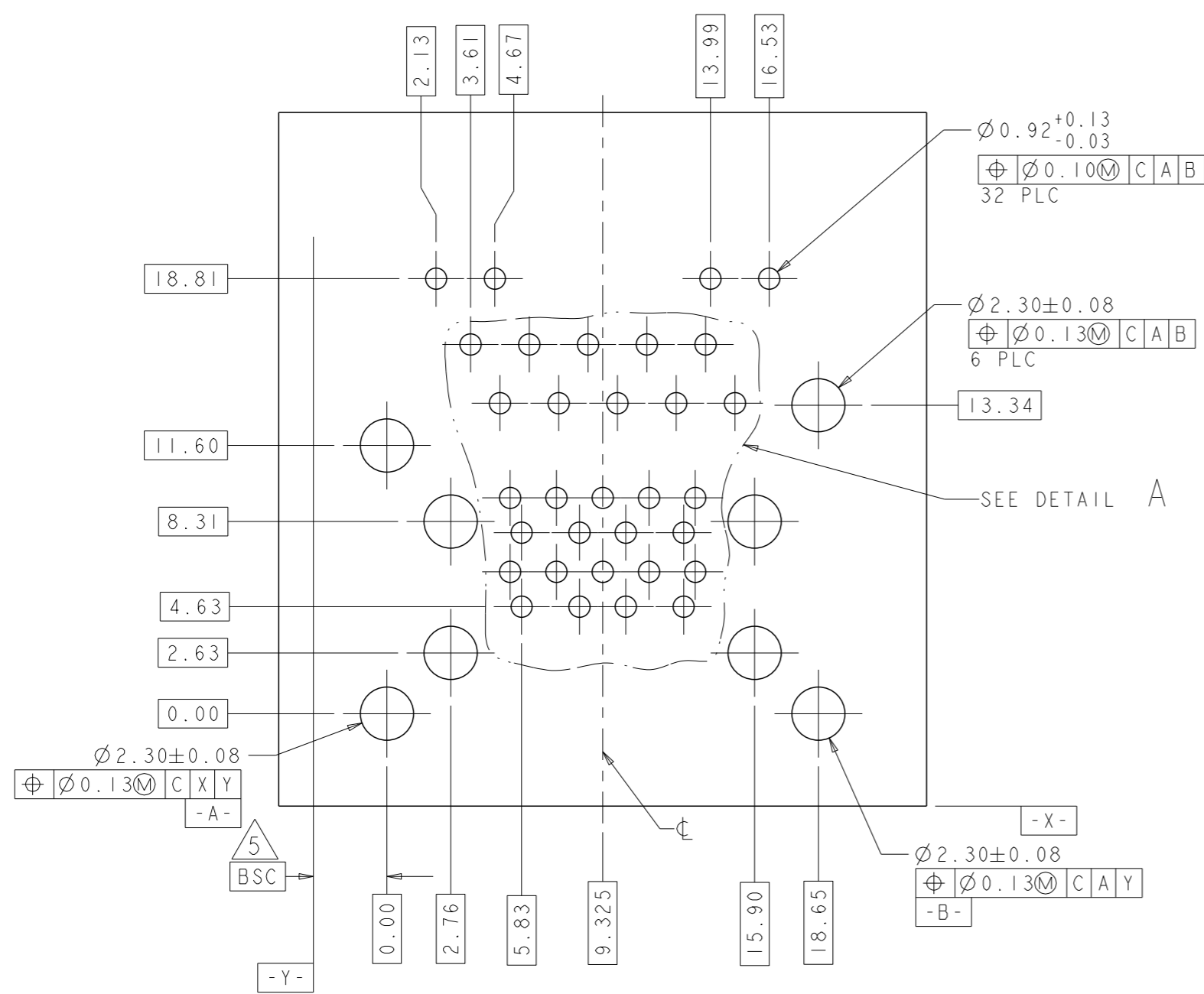
C1: 1000pF, 2kV, CAPACITOR;  
 C2-C5: 100nF, 50V, CAPACITORS;  
 R1-R4: 750hms, 1/16W, RESISTORS

WAVE	GREEN	ORANGE	GREEN	ORANGE	2250555-3				
REFLOW	GREEN	ORANGE	GREEN	-	2250555-2				
WAVE	GREEN	ORANGE	GREEN	-	2250555-1				
SOLDERING PROCESS	14	13	14	13	12	11	12	11	PART NUMBER
	LED2				LED1				

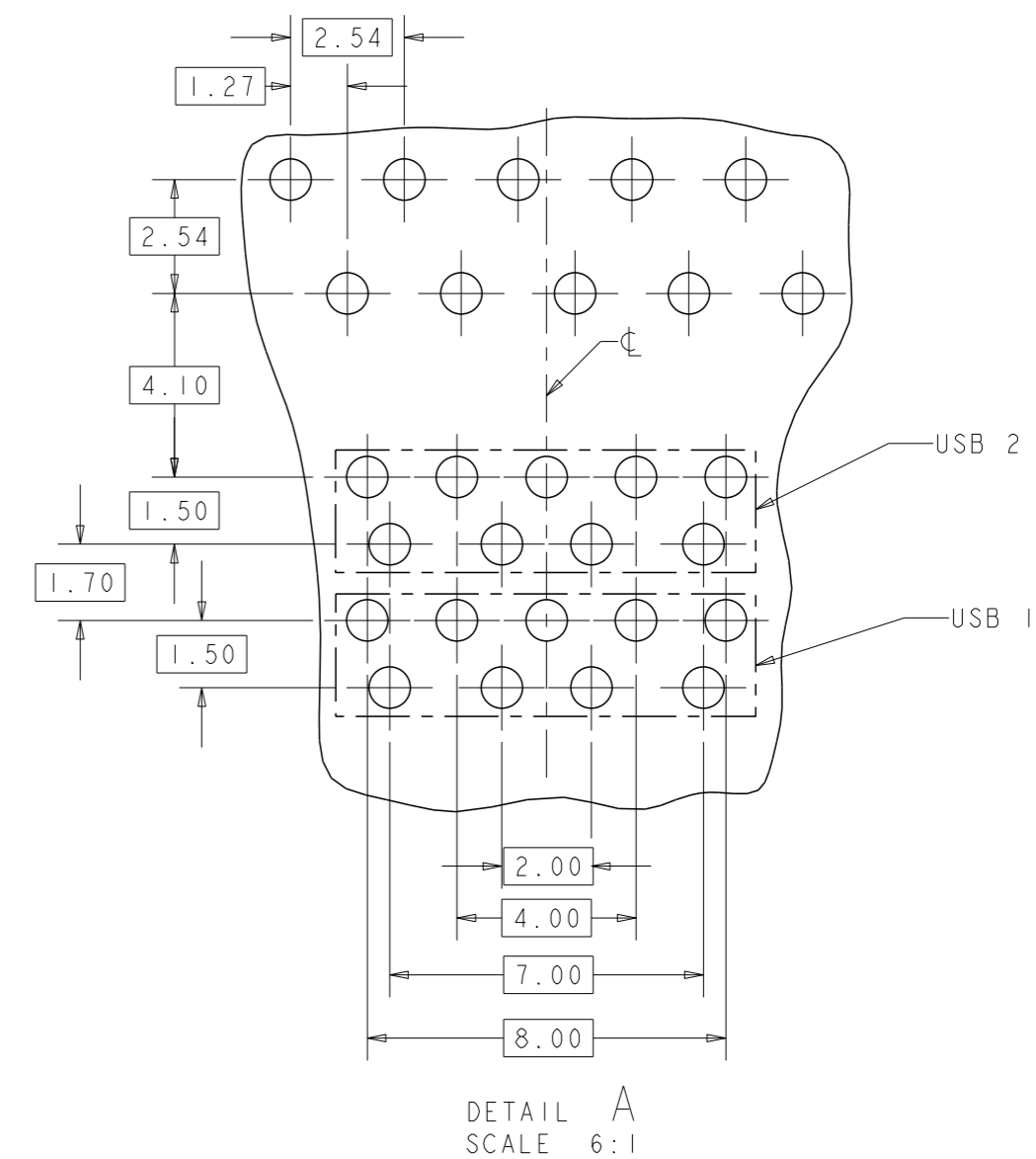
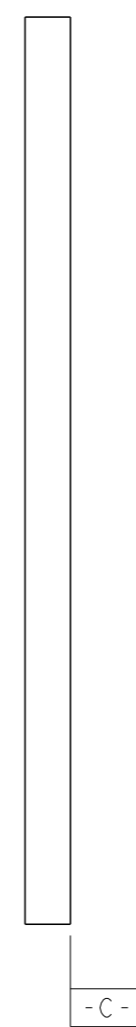
THIS DRAWING IS A CONTROLLED DOCUMENT. AND COMPLIANT TO ASME Y14.5M		DWN	25OCT2017	<b>trp</b> CONNECTOR a bel group DONGGUAN CHINA					
DIMENSIONS: mm		CHK	25OCT2017						
TOLERANCES UNLESS OTHERWISE SPECIFIED:		APVD	25OCT2017						
0 PLC ± 1 PLC ± 2 PLC ±0.25 3 PLC ± 4 PLC ± ANGLES ± APPLICATION SPEC		MODEL NAME	MAGJACK OVER USB NON-PoE						
PRODUCT SPEC	108-104004	DESC	MAGJACK OVER DUAL USB3.0 URG154GET CIRCUIT, GIGABIT, W/ LEDS	SIZE	A2	CAGE CODE	C-2250555	DRAWING NO	RESTRICTED TO
CUSTOMER DRAWING				SCALE	3:1	SHEET	1	OF	4
				REV	2				

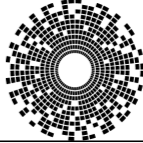
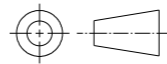


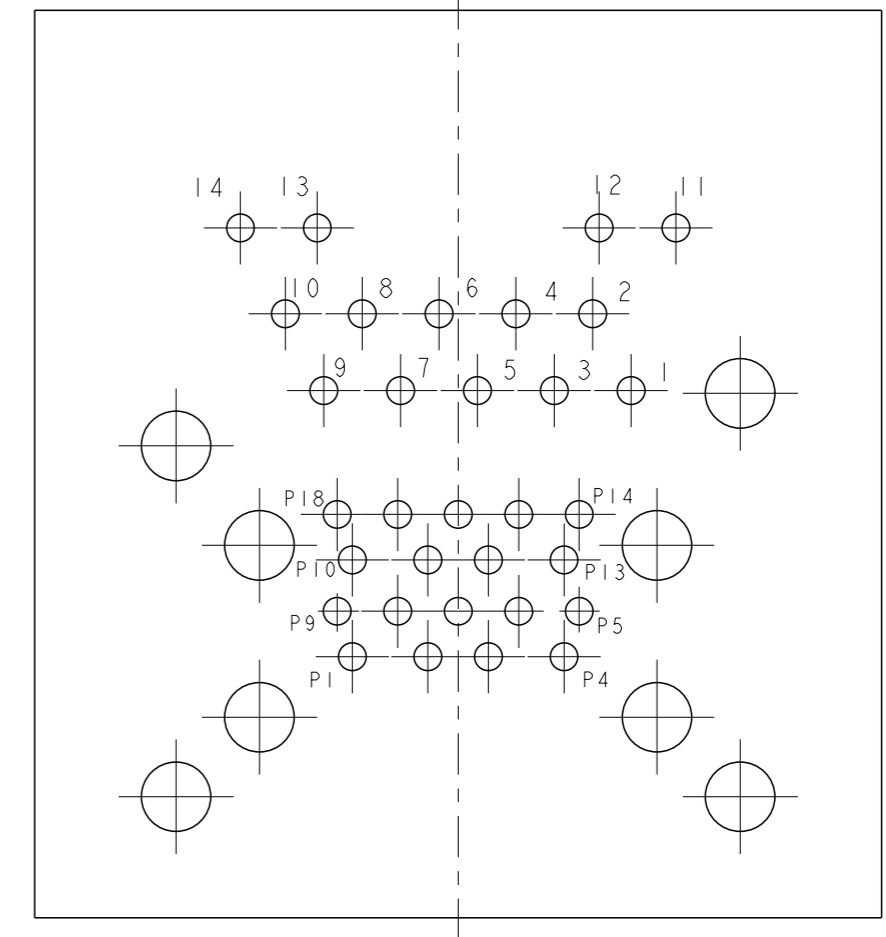
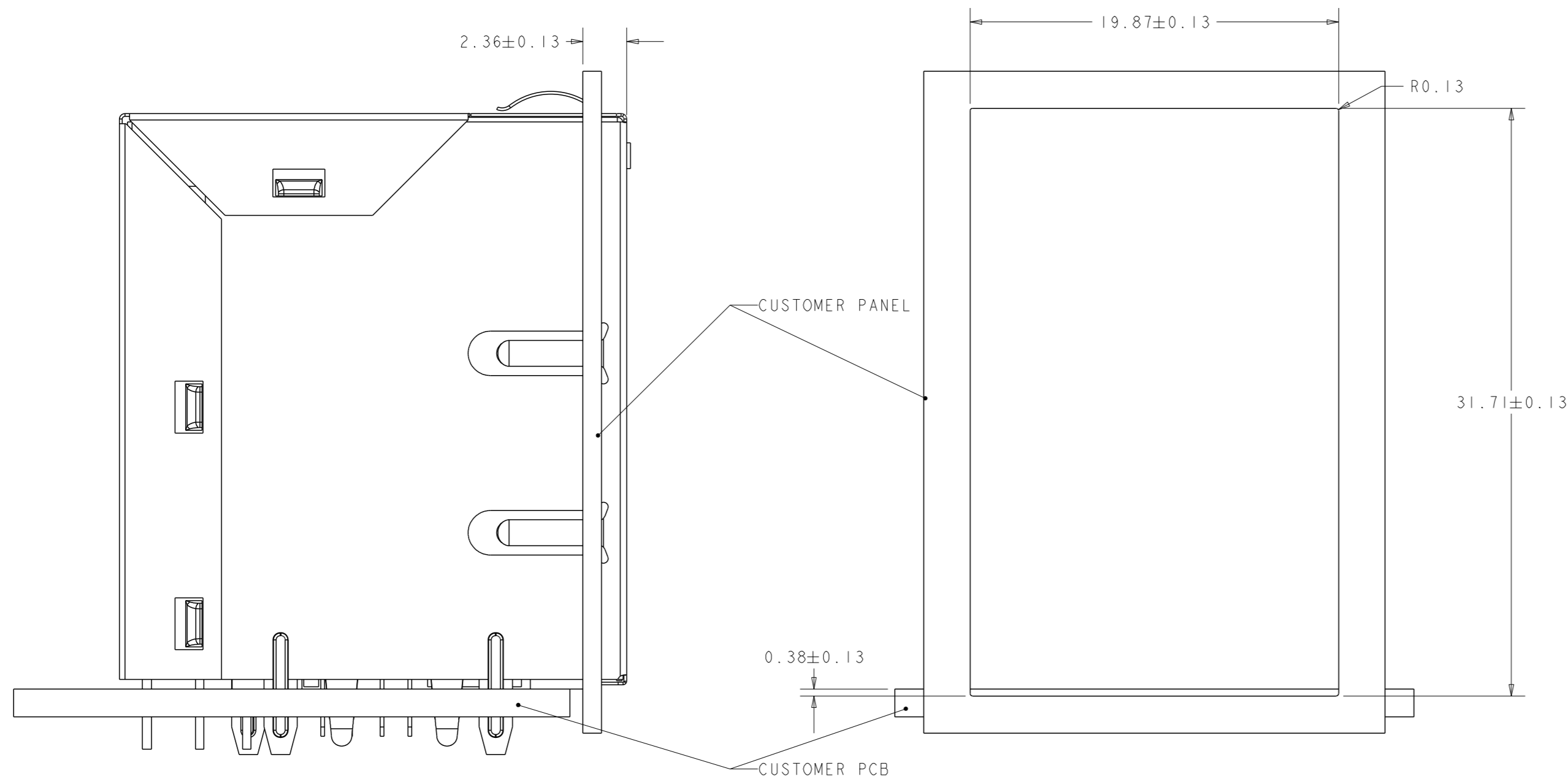
THIS DRAWING IS A CONTROLLED DOCUMENT, AND COMPLIANT TO ASME Y14.5M		DWN TOWER YU / YI LIU	 <b>trp</b> CONNECTOR a bel group DONGGUAN CHINA			
DIMENSIONS: mm		CHK BILL LIU				
TOLERANCES UNLESS OTHERWISE SPECIFIED:		APVD TONY YUAN	DESC MAGJACK OVER DUAL USB3.0 URG154GET CIRCUIT, GIGABIT, W/ LEDS			
0 PLC ± 1 PLC ± 2 PLC ±0.25 3 PLC ± 4 PLC ± ANGLES ± APPLICATION SPEC		MODEL NAME MAGJACK OVER USB NON-POE	SIZE A2	DRAWING NO C-2250555	RESTRICTED TO -	
PRODUCT SPEC 108-104004	-	CUSTOMER DRAWING		SCALE 3:1	SHEET 2 OF 4	REV 2



RECOMMENDED PC BOARD LAYOUT  
(VIEW FROM COMPONENT SIDE)

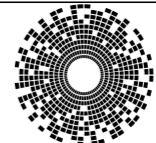


THIS DRAWING IS A CONTROLLED DOCUMENT. AND COMPLIANT TO ASME Y14.5M		DWN TOWER YU / YI LIU 25OCT2017	 <b>trp</b> CONNECTOR a bel group DONGGUAN CHINA
DIMENSIONS: mm		CHK BILL LIU 25OCT2017	
		APVD TONY YUAN 25OCT2017	DESC MAGJACK OVER DUAL USB3.0 URGI54GET CIRCUIT, GIGABIT, W/ LEDS
TOLERANCES UNLESS OTHERWISE SPECIFIED: 0 PLC ± 1 PLC ± 2 PLC ±0.25 3 PLC ± 4 PLC ± ANGLES ± APPLICATION SPEC		MODEL NAME MAGJACK OVER USB NON-POE	SIZE A2
PRODUCT SPEC 108-104004	-	DRAWING NO C-2250555	
		CUSTOMER DRAWING	
		SCALE 3:1	SHEET 3 OF 4
		REV 2	



### USB 3.0 STANDARD-A CONNECTOR PIN ASSIGNMENTS

PIN NUMBER	SIGNAL NAME	DESCRIPTION
P1 & P10	VBUS	POWER
P2 & P11	D-	USB 2.0 DIFFERENTIAL PAIR
P3 & P12	D+	
P4 & P13	GND	
P5 & P14	STDA_SSRX-	SUPERSPEED RECEIVER DIFFERENTIAL PAIR
P6 & P15	STDA_SSRX+	
P7 & P16	GND_DRAIN	GROUND FOR SIGNAL RETURN
P8 & P17	STDA_SSTX-	SUPERSPEED TRANSMITTER DIFFERENTIAL PAIR
P9 & P18	STDA_SSTX+	

THIS DRAWING IS A CONTROLLED DOCUMENT. AND COMPLIANT TO ASME Y14.5M		DWN TOWER YU / YI LIU 25OCT2017	 <b>trp</b> CONNECTOR a bel group	DONGGUAN CHINA
DIMENSIONS: mm		CHK BILL LIU 25OCT2017		
TOLERANCES UNLESS OTHERWISE SPECIFIED:		APVD TONY YUAN 25OCT2017	DESC MAGJACK OVER DUAL USB3.0 URG154GET CIRCUIT, GIGABIT, W/ LEDS	
0 PLC ± 1 PLC ± 2 PLC ±0.25 3 PLC ± 4 PLC ±		MODEL NAME MAGJACK OVER USB NON-POE	SIZE A2	DRAWING NO C-2250555
PRODUCT SPEC 108-104004		APPLICATION SPEC -	RESTRICTED TO -	SCALE 3:1 SHEET 4 OF 4 REV 2