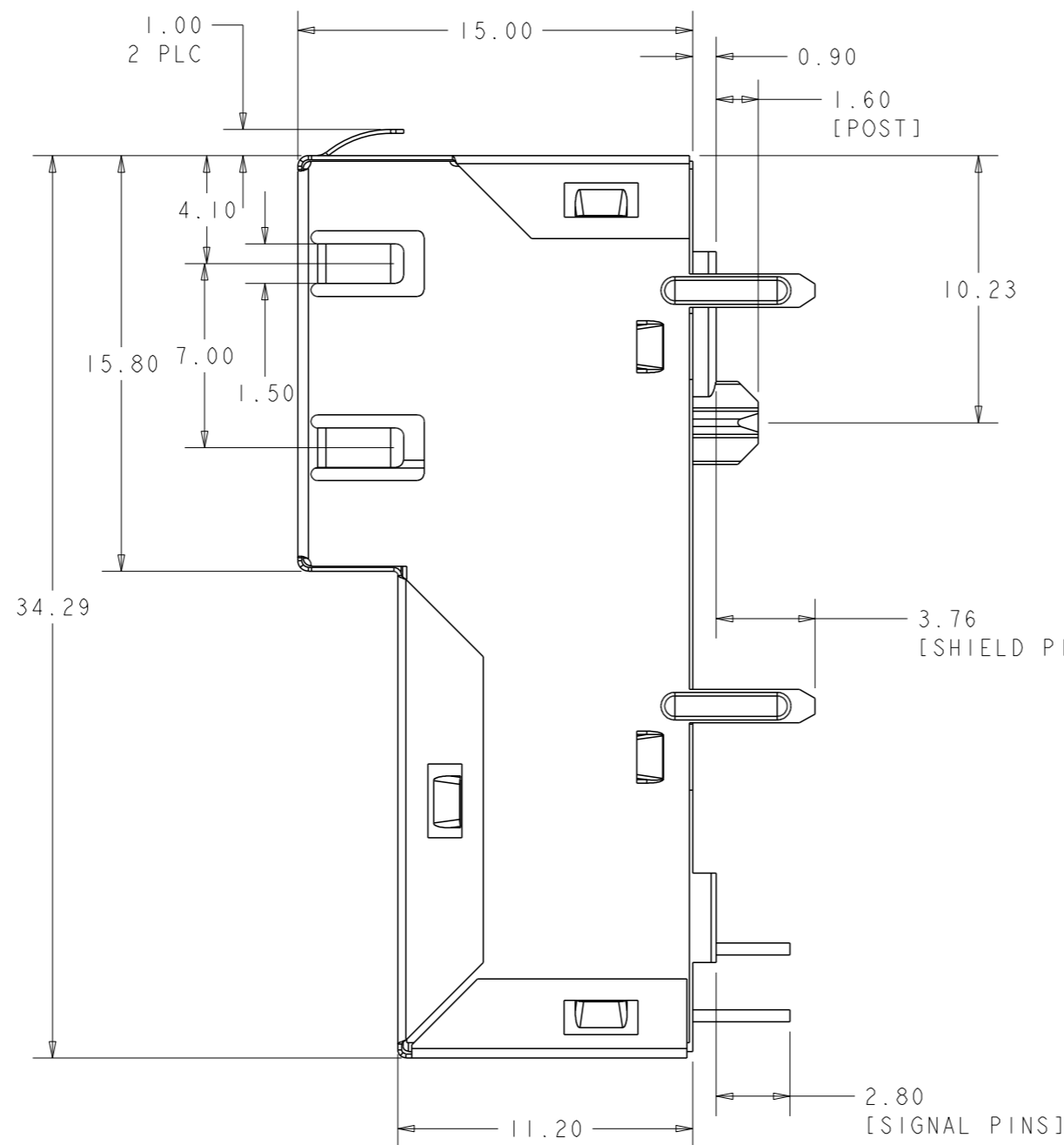
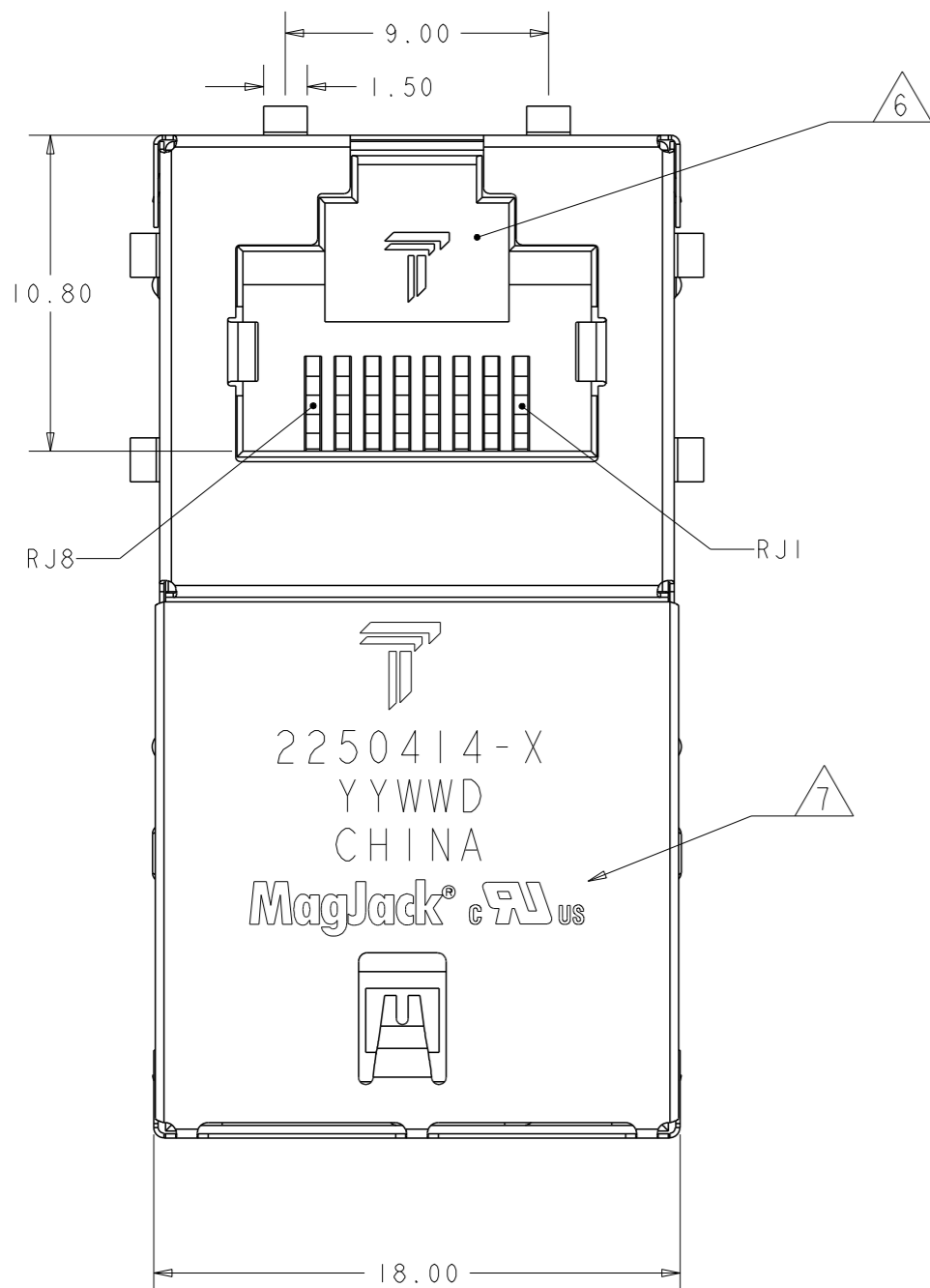
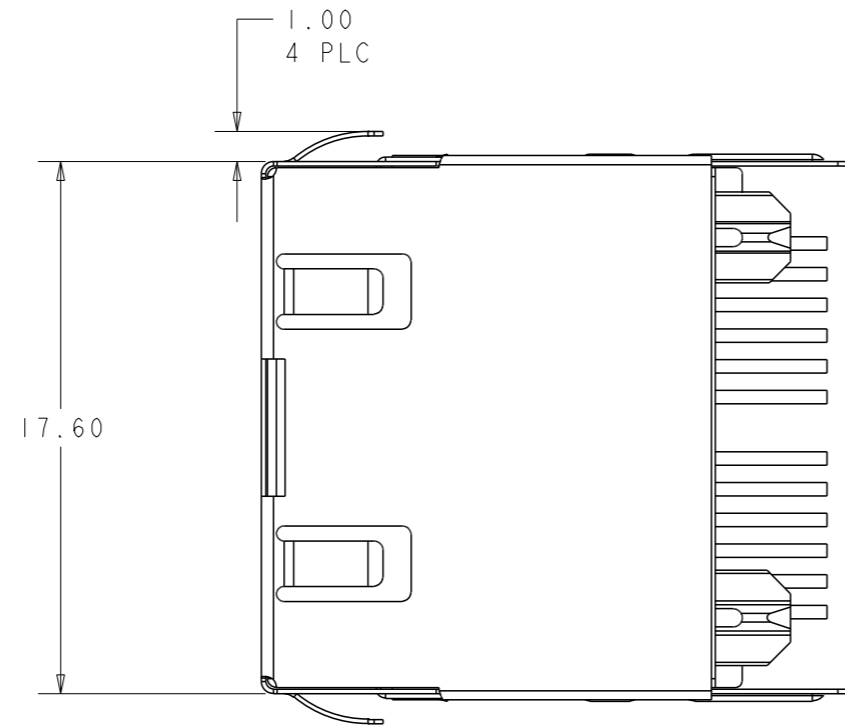
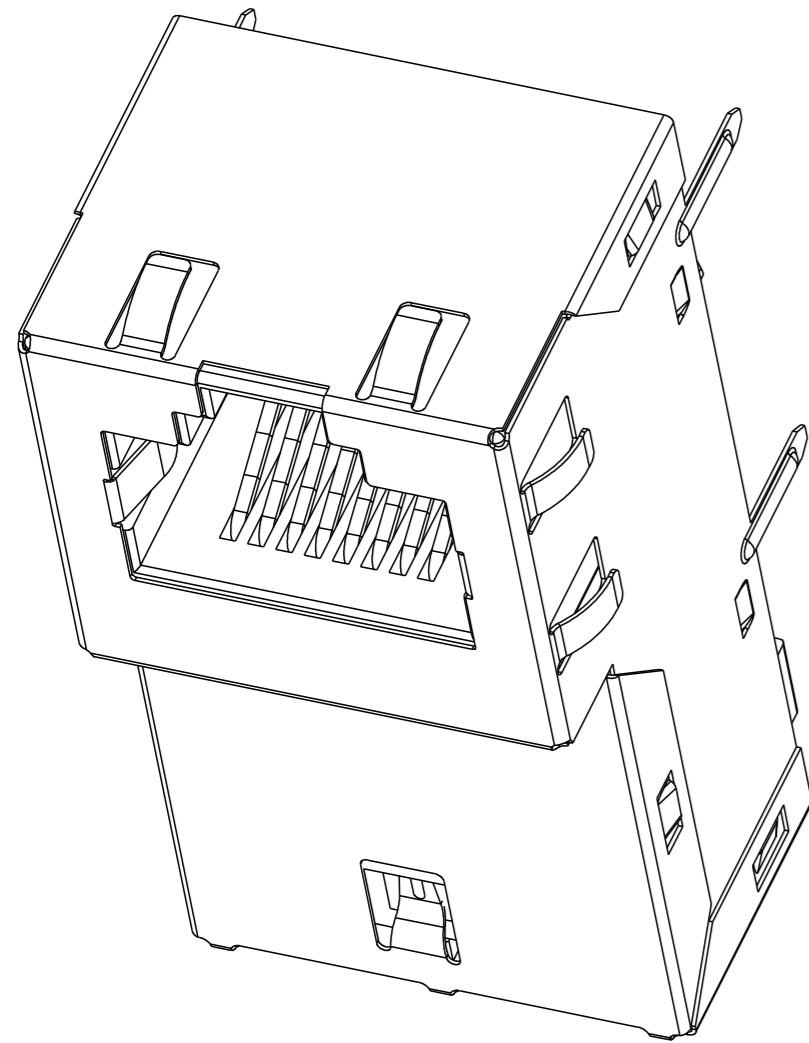


THIS DRAWING AND THE SUBJECT MATTER SHOWN THEREON ARE CONFIDENTIAL AND THE PROPERTY OF BEL/STEWART/TRP CONNECTOR AND SHALL NOT BE REPRODUCED, COPIED, OR USED IN ANY MANNER WITHOUT THE WRITTEN CONSENT OF TRP CONNECTOR.

PRODUCT MAY BE PROTECTED BY ONE OR MORE OF THE FOLLOWING US PATENTS:  
 5736910 5939955 6425781 6428361 6554638 6840817 7123117  
 7429195 7717749 7808751 6217391 6149050 7924130

REVISIONS				
P	LTR	DESCRIPTION	DATE	APVD
3		SEE LAST SHEET	03NOV2017	JY TY




1. MATERIALS  
 HOUSING: THERMOPLASTIC, BLACK, FLAMMABILITY RATED UL 94V-0  
 SHIELD: STAINLESS STEEL, 0.15mm THICK, PREPLATED WITH MIN 0.76um SEMI-BRIGHT NICKEL POST DIPPED WITH 2.54um MIN SAC SOLDER AT GROUND PINS.  
 CONTACTS: PHOSPHOR BRONZE, PLATED WITH 1.27um MIN OVERALL NICKEL UNDERPLATE, SELECTIVE 1.27um MIN GOLD AT MATING INTERFACE AND 2.54um MIN MATTE TIN ON SOLDER TAILS.  
 SOLDER TAIL: Ø0.45mm COPPER PLATED STEEL, PLATED WITH 2.54um MIN TIN

2. MAGNETICS:  
 APPLICATION: 1G/10G BASE-T  
 - IMPEDANCE: 100 OHMS  
 - TURNS RATIO (CHIP:CABLE): 1:1 ALL FOUR PAIRS  
 - OPEN CIRCUIT INDUCTANCE (OCL): 120 uH MIN @ 100kHz, 0.1VRMS, 8mA DC BIAS FROM 0°C TO 70°C, ALL FOUR PAIRS  
 - ALL FOUR PAIRS BI-DIRECTIONAL  
 - PERFORMANCE @ 25°C (WHERE f IS FREQUENCY IN MHz):  
 (a) INSERTION LOSS (MIN)  
 1MHz - 400MHz -0.8-1.3\*(f-1)/400 dB  
 (b) RETURN LOSS (MAX)  
 1 MHz - 100 MHz -17 dB  
 100 MHz - 400 MHz -17 + 8LOG (f/100) dB  
 400 MHz - 600MHz -12 + 30LOG (f/400) dB  
 (c) CROSSTALK ATTENUATION (MAX)  
 1 MHz - 500 MHz -20 dB  
 (d) COMMON MODE ATTENUATION (MAX)  
 1 MHz - 500 MHz -20 dB

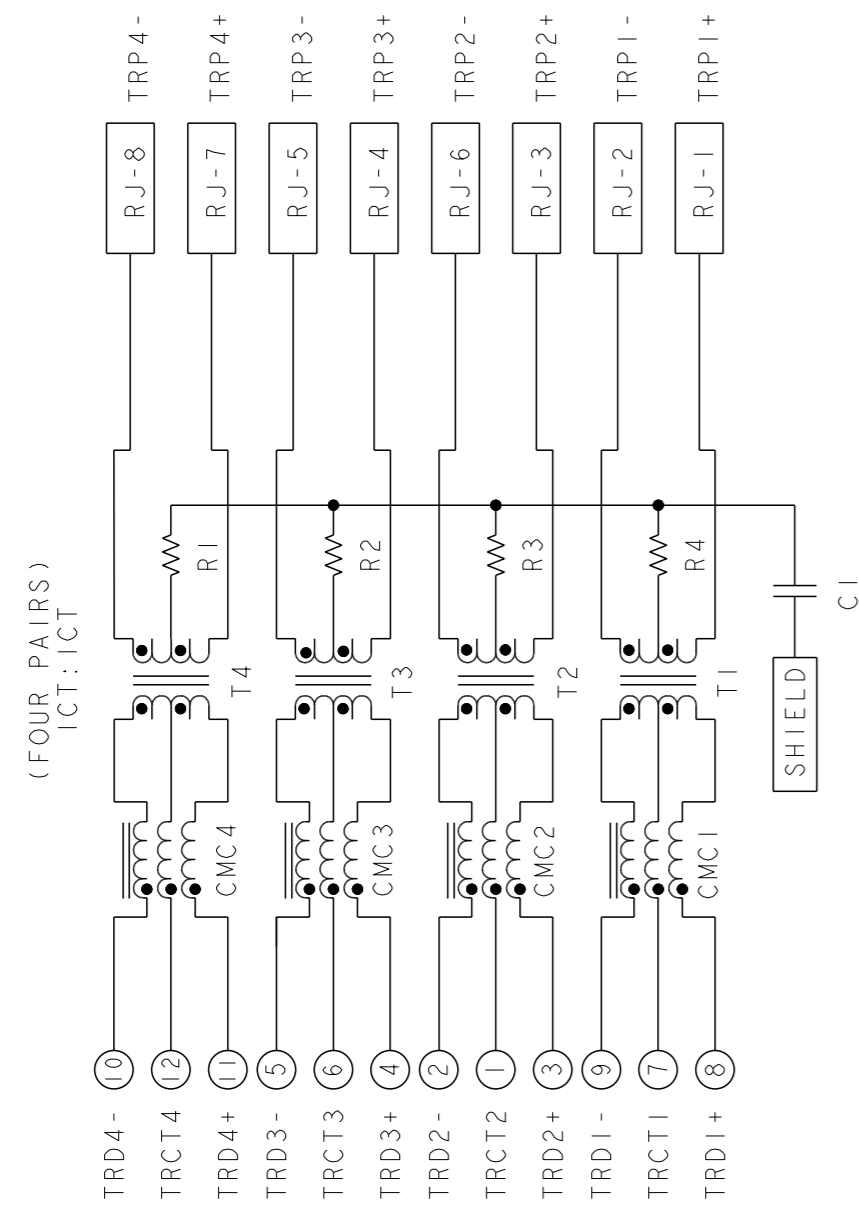
- ISOLATION VOLTAGE: 2250VDC FOR 60 SECONDS WITH A RISE TIME OF 500V/SEC,

3. THE MAGNETIC ARE SYMMETRICAL AND SUPPORT AUTO-MDIX OPERATION.  
 4. OPERATING TEMPERATURE: FROM 0°C TO 70°C  
 5. ALL DIMENSIONS TO BE NOMINAL UNLESS OTHERWISE NOTED  
 6. RJ45 CAVITY CONFORMS TO FCC RULES AND REGULATION PART 68 SUBPART F.  
 7. TRP CONNECTOR LOGO, PART NUMBER, DATE CODE, COUNTRY OF ORIGIN, AND AGENCY APPROVAL MARKING IN APPROXIMATE LOCATION SHOWN, DATE CODE: YYWW WHERE YY IS YEAR, WW IS WORK WEEK, D IS DAY OF WEEK, WITH SUNDAY=1  
 8. PART SHOULD BE RECOMMENED FOR WAVE SOLDERING PROCESS, PREHEAT TEMPERATURE IS 120°C TO 160°C, 120 SECONDS TO 180 SECONDS, PEAK WAVE SOLDERING TEMPERATURE IS 260°C MAX, 10 SECONDS MAX.

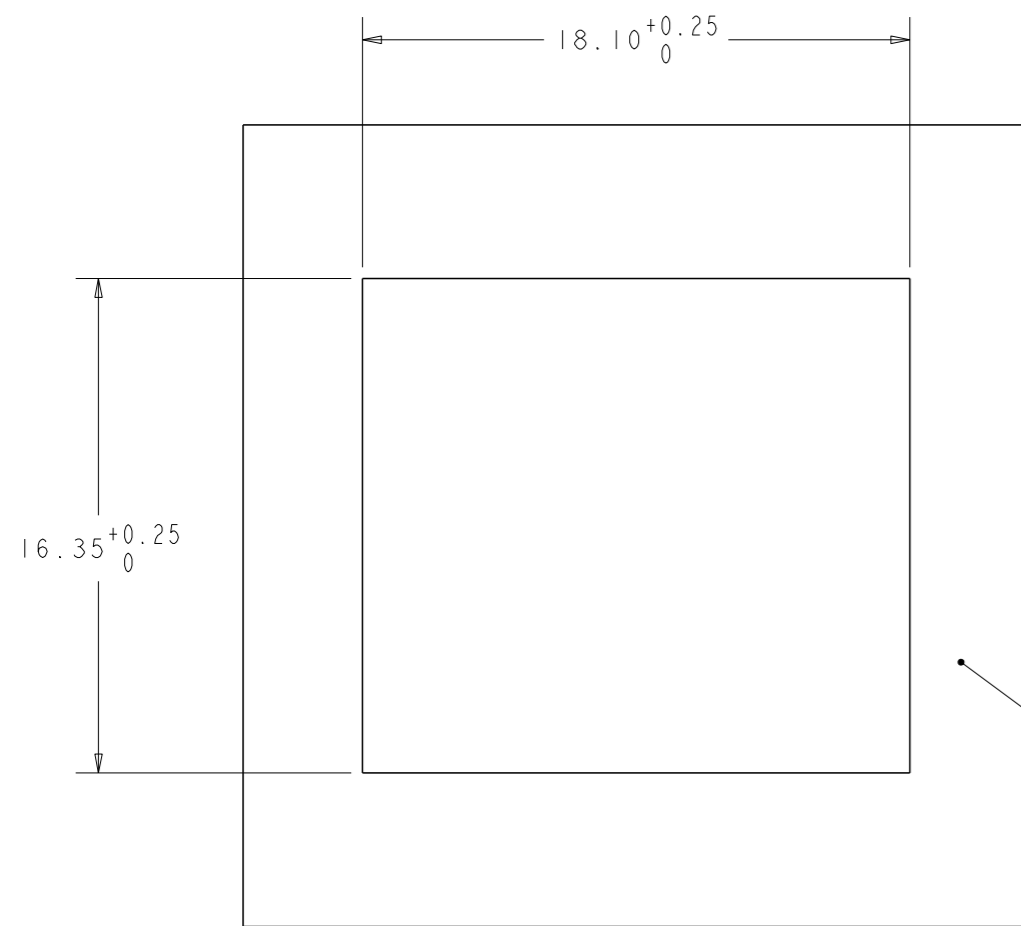
2250414-1  
 PART NUMBER

THIS DRAWING IS A CONTROLLED DOCUMENT, AND COMPLIANT TO ASME Y14.5M		DWN TOWER YU / YI LIU 30MAY2016	 <b>trp</b> CONNECTOR a bel group DONGGUAN CHINA	
DIMENSIONS: mm		CHK BILL LIU 30MAY2016		
TOLERANCES UNLESS OTHERWISE SPECIFIED:		APVD TONY YUAN 30MAY2016	DESC IXI, MAGJACK, VERTICAL 4TG07, 10GIGABIT CIRCUIT, W/O LEDS	
0 PLC ±0.25 1 PLC ±0.25 2 PLC ±0.25 3 PLC ±0.25 4 PLC ± ANGLES ± APPLICATION SPEC		MODEL NAME MAGJACK SINGLE NON-POE	SIZE A2	RESTRICTED TO -
PRODUCT SPEC 108-104004		DRAWING NO C-2250414		SCALE 4:1 SHEET 1 OF 3 REV 3
CUSTOMER DRAWING				

# 4TG07 10G CIRCUIT

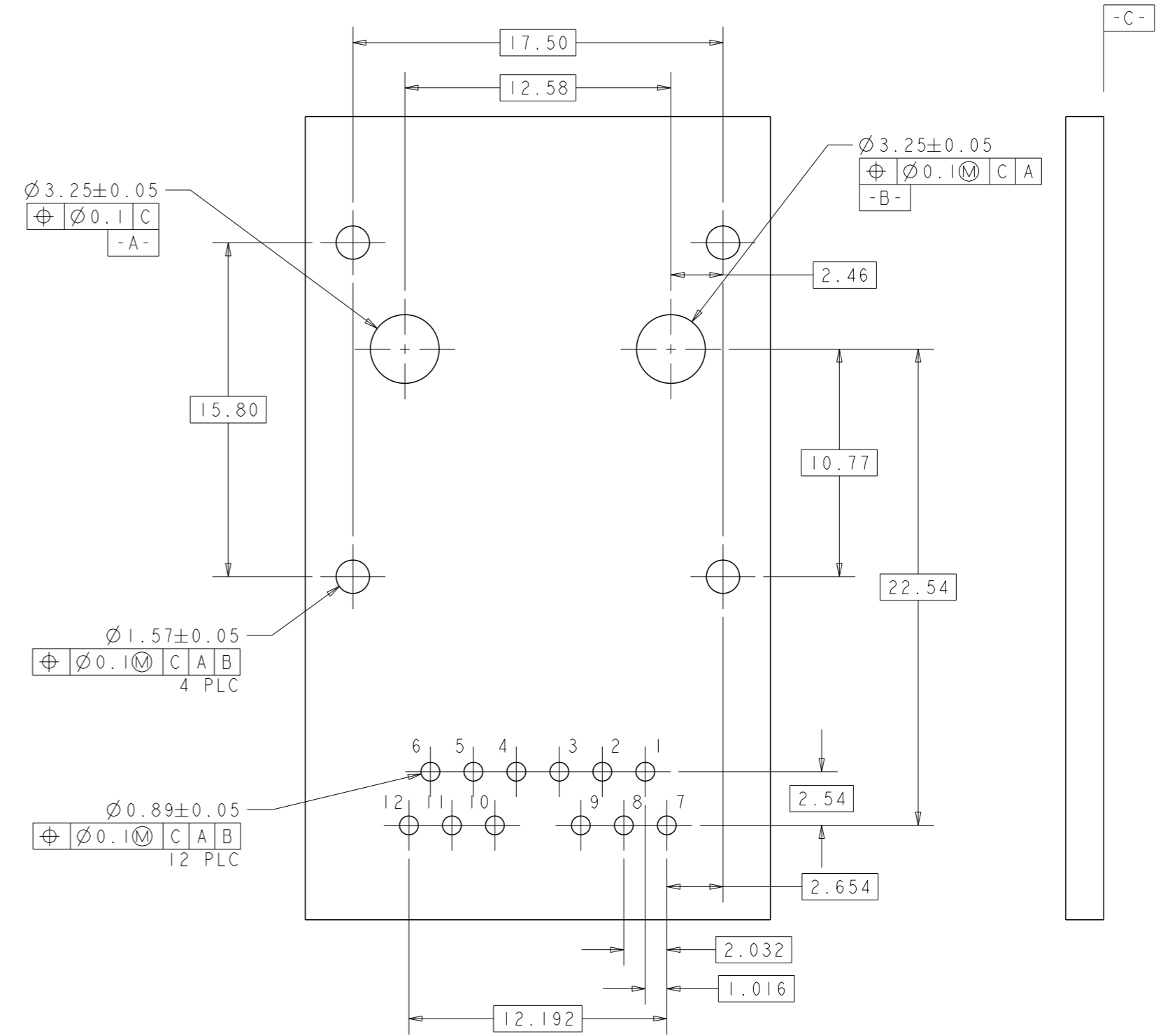
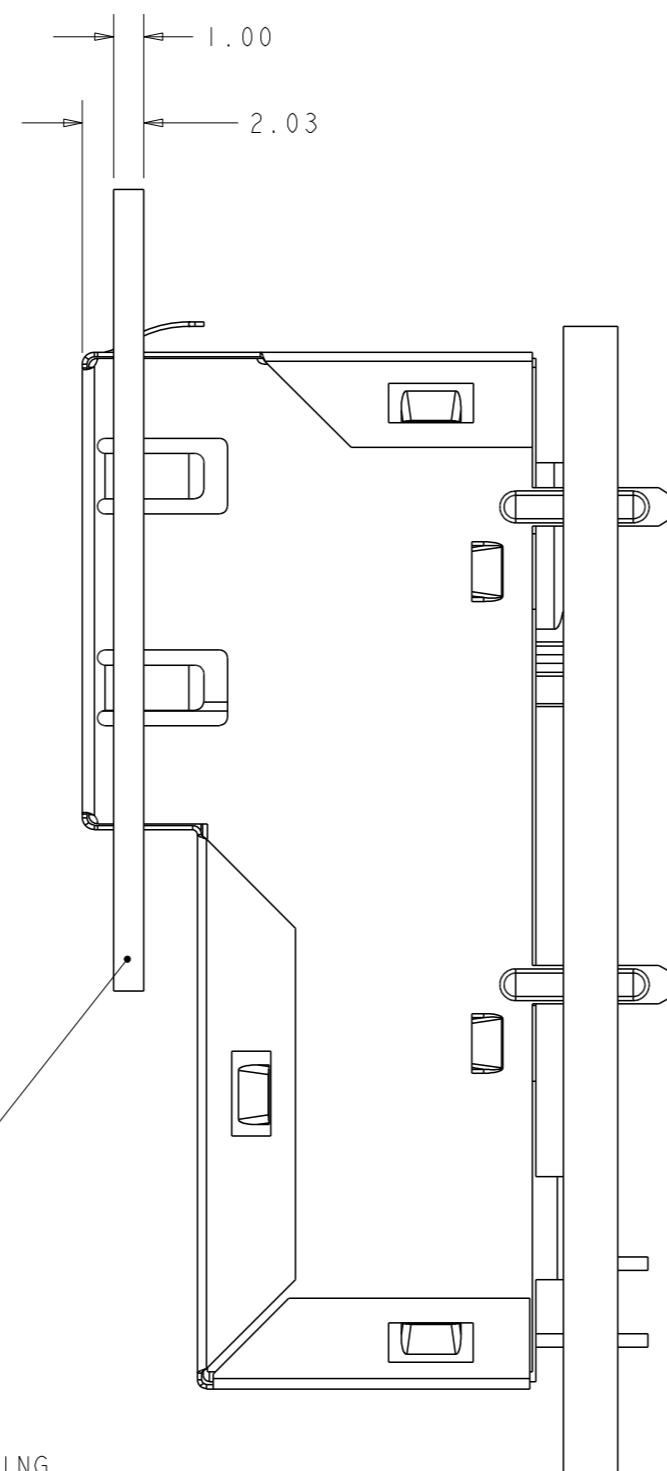


C1 = 1000pF, 2KV, CAPACITOR  
R1 - R4 = 75 ohms, RESISTOR




PANEL


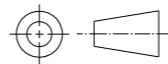
SUGGESTED PANEL OPENING



SUGGESTED PCB LAYOUT  
(COMPONENT SIDE VIEW)

THIS DRAWING IS A CONTROLLED DOCUMENT, AND COMPLIANT TO ASME Y14.5M		DWN TOWER YU / YI LIU 30MAY2016		DONGGUAN CHINA	
DIMENSIONS: mm		CHK BILL LIU 30MAY2016		DESC 1X1, MAGJACK, VERTICAL 4TG07, 10GIGABIT CIRCUIT, W/O LEDS	
TOLERANCES UNLESS OTHERWISE SPECIFIED:		APVD TONY YUAN 30MAY2016	SIZE A2	CAGE CODE C-2250414	RESTRICTED TO -
PRODUCT SPEC 108-104004		MODEL NAME MAGJACK SINGLE NON-POE	CUSTOMER DRAWING		
ANGLES APPLICATION SPEC		SCALE 4:1		SHEET 2 OF 3 REV 3	

2250414					STOCK DISPOSITION			
					A: CONTINUE AS IS		D: USE OLD FIRST	
					B: REWORK		E: PARTS TO CONFORM	
					C: SCRAP		F: OTHER	
REVISION HISTORY								
DATE	REV	CHANGES	REASON	APPROVAL	INVENTORY (A,B,C, D,E,F)	WORK IN PROCESS (A,B,C,F)	SUPPLIER ORDERS (A,E,F)	OPEN CUST ORDERS (A,E,F)
30MAY2016	1	-	INITIAL RELEASE	TONY YUAN	-	-	-	-
15JUL2016	2	UPDATED VIEWS FOR SHIELD CHANGE SHEET 1, A8: ADD SHIELD CLOSE DIMENSION 18.00 SHEET 1, B3: CHANGE POST HEIGHT FROM 3.30 TO 1.60 SHEET 2, C4: ADD DIM 15.80, AND TWO HOLES	PRODUCT IMPROVEMENT	TONY YUAN	-	-	-	-
03NOV2017	3	UPDATED ITEM2 SPEC SHEET 1, C2: ITEM 2: CHANGE "PERFORMANCE" CONTENT.	MARKET REQUIREMENT	TONY YUAN	-	-	-	-

THIS DRAWING IS A CONTROLLED DOCUMENT. AND COMPLIANT TO ASME Y14.5M		DWN TOWER YU / YI LIU 30MAY2016	 <b>trp</b> CONNECTOR a bel group	DONGGUAN CHINA	
DIMENSIONS: mm		CHK BILL LIU 30MAY2016		DESC IXI, MAGJACK, VERTICAL 4TG07, 10GIGABIT CIRCUIT, W/O LEDS	
		APVD TONY YUAN 30MAY2016	MODEL NAME MAGJACK SINGLE NON-POE	SIZE A2	CAGE CODE C-2250414
TOLERANCES UNLESS OTHERWISE SPECIFIED: 0 PLC ±0.25 1 PLC ±0.25 2 PLC ±0.25 3 PLC ±0.25 4 PLC ± ANGLES ± APPLICATION SPEC		DRAWING NO C-2250414		RESTRICTED TO -	SCALE 4:1
PRODUCT SPEC 108-104004		CUSTOMER DRAWING		SHEET 3 OF 3	REV 3