

THE INFORMATION CONTAINED HEREIN IS CONSIDERED "PROPRIETARY" TO BEL FUSE INC. AND SHALL NOT BE COPIED, REPRODUCED OR DISCLOSED WITHOUT THE WRITTEN APPROVAL OF BEL FUSE INC.

LED 2 & 4 POLARITY			LED 1 & 3 POLARITY		
PIN 15	PIN 16	COLOR	PIN 17	PIN 18	COLOR
-	+	ORANGE	-	+	ORANGE
+	-	GREEN	+	-	GREEN

PRELIMINARY



**ELECTRICAL CHARACTERISTICS @ 25°C**

**TURNS RATIO**

TP1	1CT : 1CT	±2%
TP2	1CT : 1CT	±2%
TP3	1CT : 1CT	±2%
TP4	1CT : 1CT	±2%

**OCL @ 100kHz/100mVRMS**

(-40°C - 85°C)	180µH MIN.
19mA DC BIAS (-40°C - 85°C)	120µH MIN.

**RET. LOSS (MIN)**

1MHz-40MHz	-18 dB MIN
40MHz-250MHz	-18+10LOG10(F/40MHz) dB MIN

**CM TO CM REJ**

100kHz - 100MHz	-30 dB MIN
-----------------	------------

**CM TO DM REJ**

100kHz - 100MHz	-35 dB MIN
-----------------	------------

**HIPOT (Isolation Voltage):**

2250 VDC  
100% OF PRODUCTION TESTED TO COMPLY WITH  
IEEE 802.3 ISOLATION REQUIREMENTS.

**NOTE: PORT-TO-PORT ISOLATION NOT INCLUDED .**

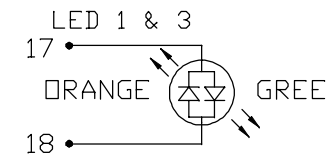
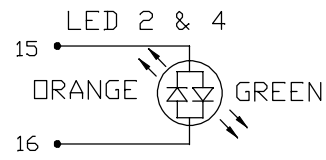
**BALANCED DC LINE CURRENT**

600mA MAX. CONTINUOUS  
1.2A MAX. FOR 200 MILLISECONDS

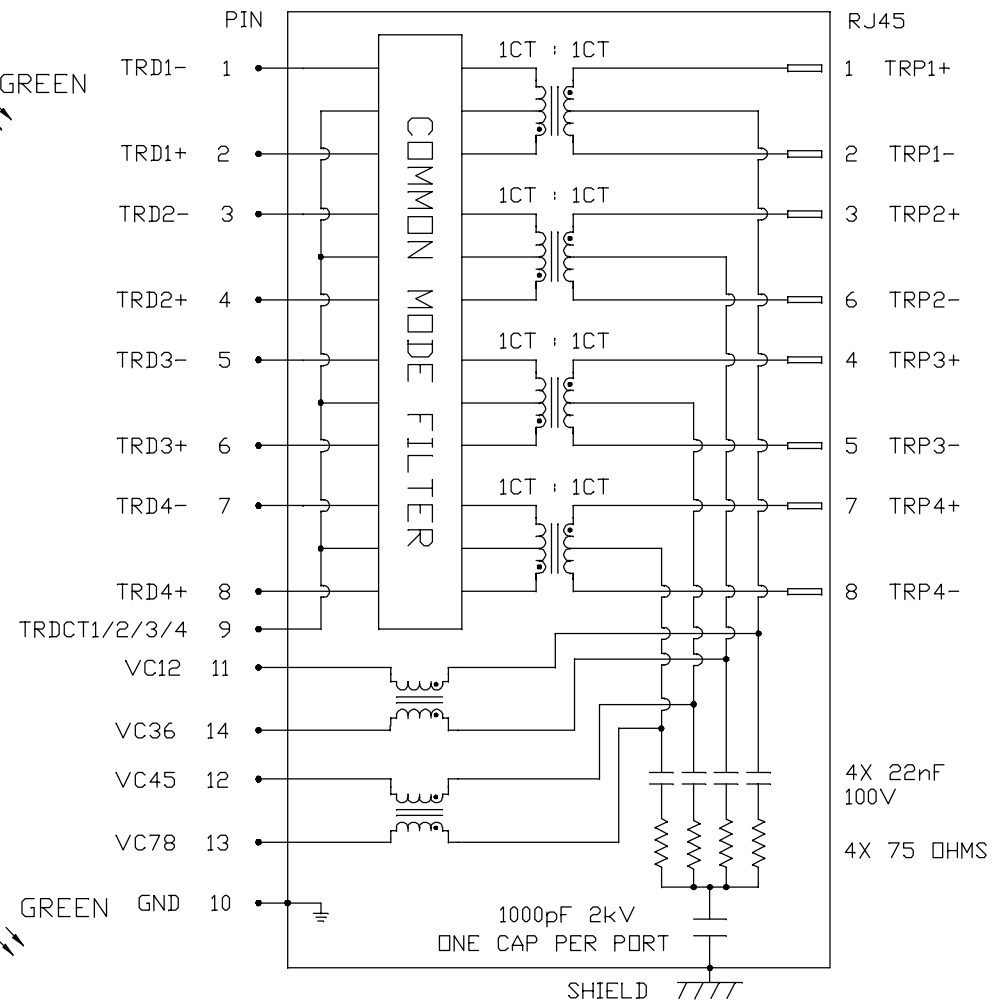
**LEDS 1, 2, 3 AND 4**

VF (FORWARD VOLTAGE)	IF=20mA	ORANGE	2.0V TYP.
		GREEN	2.2V TYP.
λD (DOMINANT WAVELENGTH)	IF=20mA	ORANGE	605nm TYP.
		GREEN	570nm TYP.

**OPERATING TEMPERATURE: -40°C TO +85°C.**



**SCHEMATIC**



REV. : 1 PAGE : 2

ORIGINATED BY  
CHOW WANCHUNG  
DATE 2021-05-25  
DRAWN BY  
TANG YUAN  
DATE 2021-05-25

TITLE  
2X6 5 gigabit MagJack®  
60W 4PPoE  
PATENTED

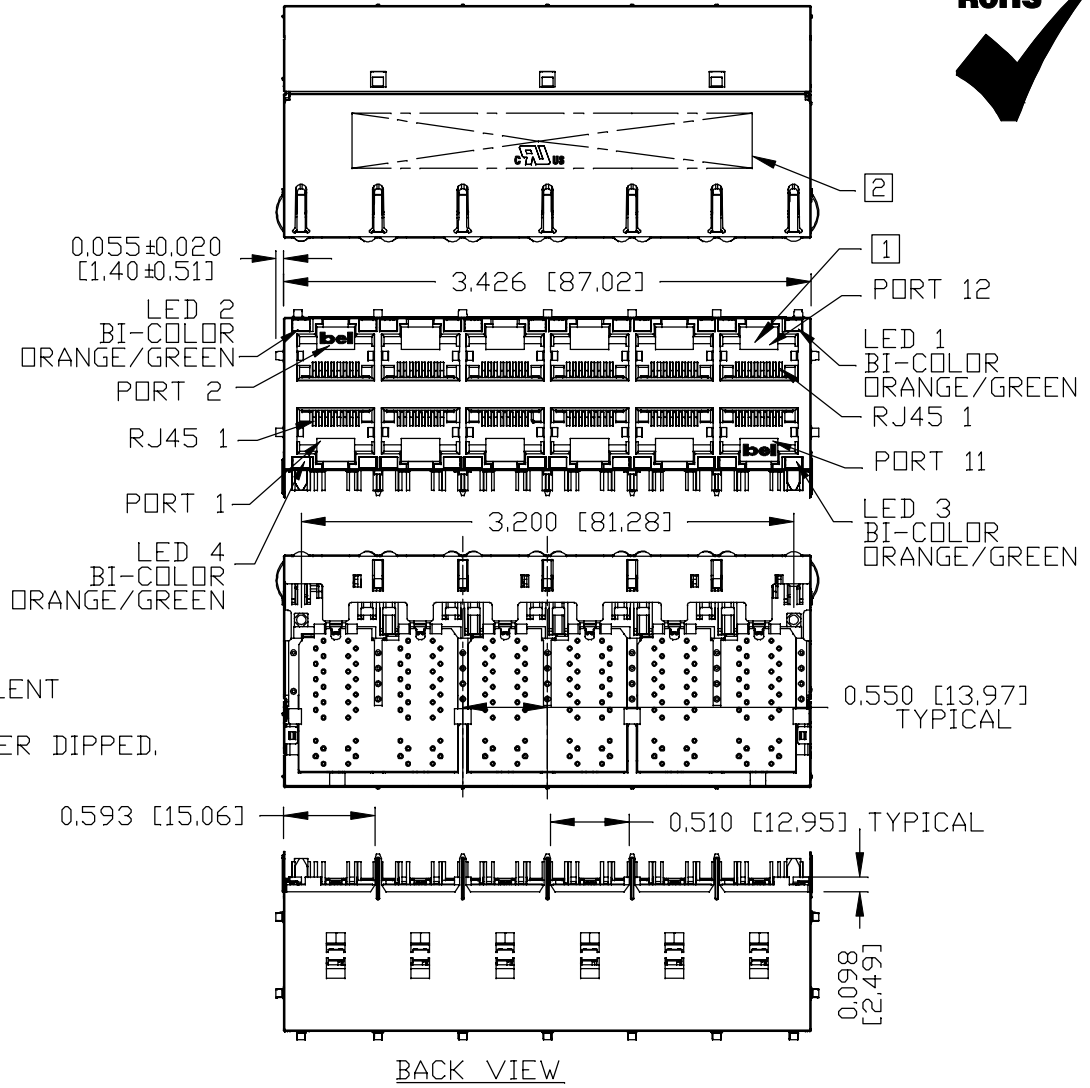
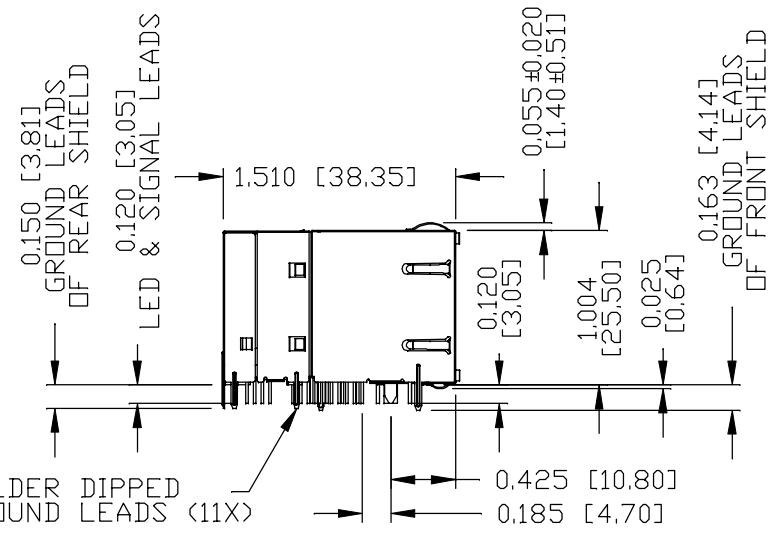
PART NO. / DRAWING NO.  
0895-2B6J-JVC  
FILE NAME  
0895-2B6J-JVC\_1.DWG

STANDARD DIM.  
TOL. IN INCH  
.X  
.XX  
.XXX  
[ ] METRIC DIM.  
AS REF.  
UNIT : INCH [mm]  
SCALE : N/A  
SIZE : A4



THE INFORMATION CONTAINED HEREIN IS CONSIDERED "PROPRIETARY" TO BEL FUSE INC. AND SHALL NOT BE COPIED, REPRODUCED OR DISCLOSED WITHOUT THE WRITTEN APPROVAL OF BEL FUSE INC.

PRELIMINARY



NOTES:  
 SOLDER DIPPED GROUND LEADS (11X)  
 PLASTIC HOUSING: THERMOPLASTIC PBT, BLACK, FLAMMABILITY RATING UL 94V-0  
 CONTACT PLATING: 50 MICRO-INCH HARD GOLD PLATING OR EQUIVALENT  
 OUTPUT PINS: TIN-COATED COPPER WIRE, DIA 0.018 INCH, 100 MICRO-INCH MIN MATTE TIN, PINS ARE SOLDER DIPPED.  
 METAL SHIELD: NICKEL PLATED ON COPPER ALLOY, (ALL GROUND LEADS ARE SOLDER DIPPED)

1. JACK CAVITY CONFORMS TO FCC RULES AND REGULATIONS, PART 68 SUBPART F.
  2. MARK PART WITH MFG LOGO, MFG NAME, PART NUMBER, DATE CODE AND PATENTED.
  3. THE PRODUCT IS RoHS COMPLIANT.
- UL** RECOGNIZED - FILE #E196366 AND E169987.
4. THE PRODUCT IS PATENTED. THE PATENT NUMBER ARE U.S. PAT. 6,840,817 AND U.S. PAT. 7,123,117.
  5. THE PART IS RECOMMENDED FOR WAVE SOLDERING. THE SUGGESTED PEAK WAVE SOLDERING CONDITION IS 260°C MAX AND 10 SECONDS MAX.

REV. : 1 PAGE : 3

ORIGINATED BY LI QUANKUN DATE 2021-05-25	TITLE 2X6 5 gigabit MagJack® 60W 4PPoE PATENTED	PART NO. / DRAWING NO. 0895-2B6J-JVC	STANDARD DIM. [ ] METRIC DIM.	
			TOL. IN INCH	AS REF.
			.X	UNIT : INCH [mm]
DRAWN BY OLIVER ZHANG DATE 2021-05-25		FILE NAME 0895-2B6J-JVC_1.DWG	.XX	SCALE : N/A
			.XXX	±0.010
			SIZE : A4	

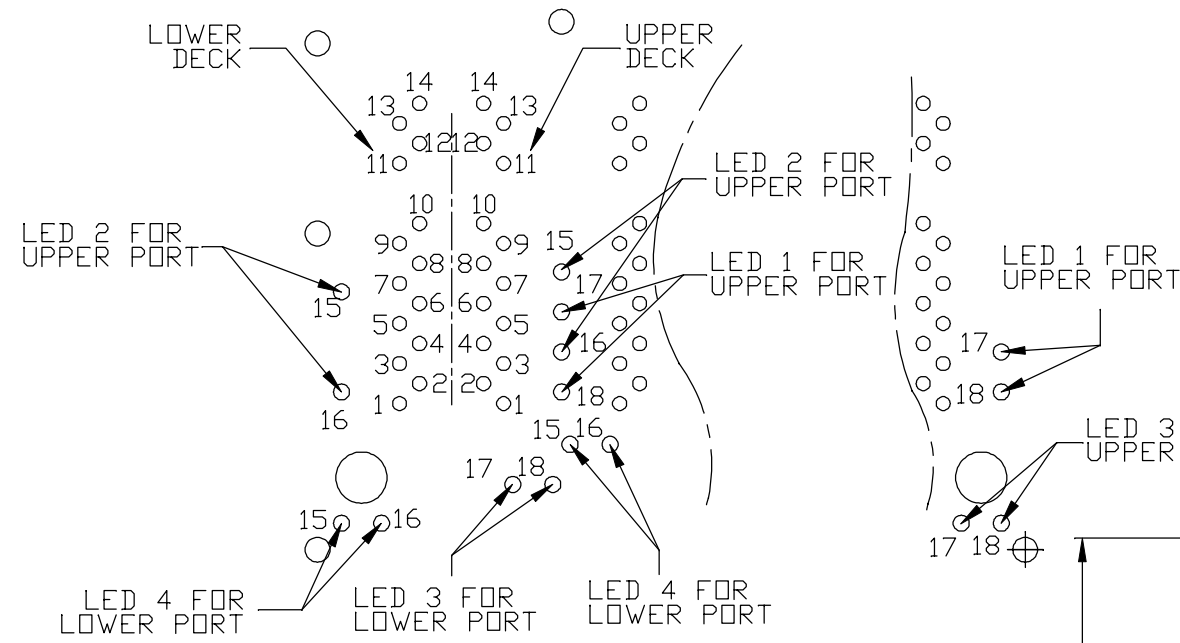
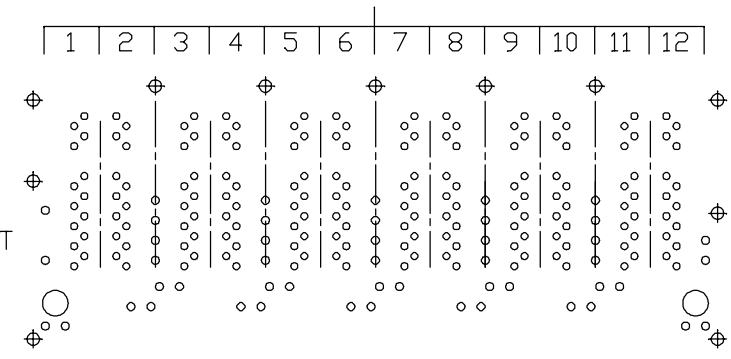


THE INFORMATION CONTAINED HEREIN IS CONSIDERED "PROPRIETARY" TO BEL FUSE INC. AND SHALL NOT BE COPIED, REPRODUCED OR DISCLOSED WITHOUT THE WRITTEN APPROVAL OF BEL FUSE INC.

PRELIMINARY

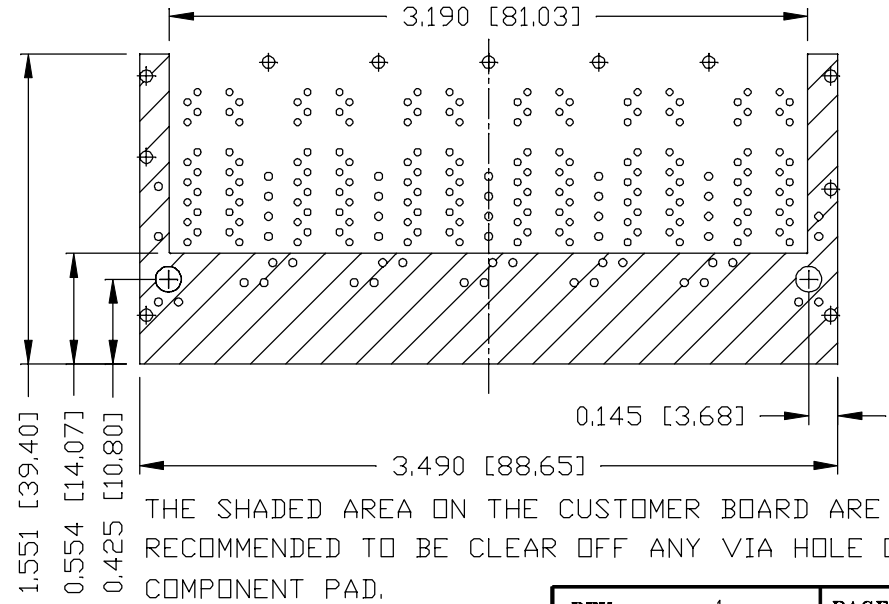


PORT ASSIGNMENT  
(COMPONENT SIDE VIEW)



PIN-OUT INFORMATION  
(COMPONENT SIDE VIEW)

10	GND		
9	TRDCT1/2/3/4		
8	TRD 4+	18	ORANGE (+)/GREEN (-)
7	TRD 4-	17	ORANGE (-)/GREEN (+)
6	TRD 3+	16	ORANGE (+)/GREEN (-)
5	TRD 3-	15	ORANGE (-)/GREEN (+)
4	TRD 2+	14	VC36
3	TRD 2-	13	VC78
2	TRD 1+	12	VC45
1	TRD 1-	11	VC12



ORIGINATED BY  
LI QUANKUN  
DATE 2021-05-25  
DRAWN BY  
OLIVER ZHANG  
DATE 2021-05-25

TITLE  
2X6 5 glgabit MagJack®  
60W 4PPoE  
PATENTED

PART NO. / DRAWING NO.  
0895-2B6J-JVC  
FILE NAME  
0895-2B6J-JVC\_1.DWG

STANDARD DIM. TOL. IN INCH	[ ] METRIC DIM. AS REF.
.X	UNIT : INCH [mm]
.XX	SCALE : N/A
.XXX	±0.004
	SIZE : A4

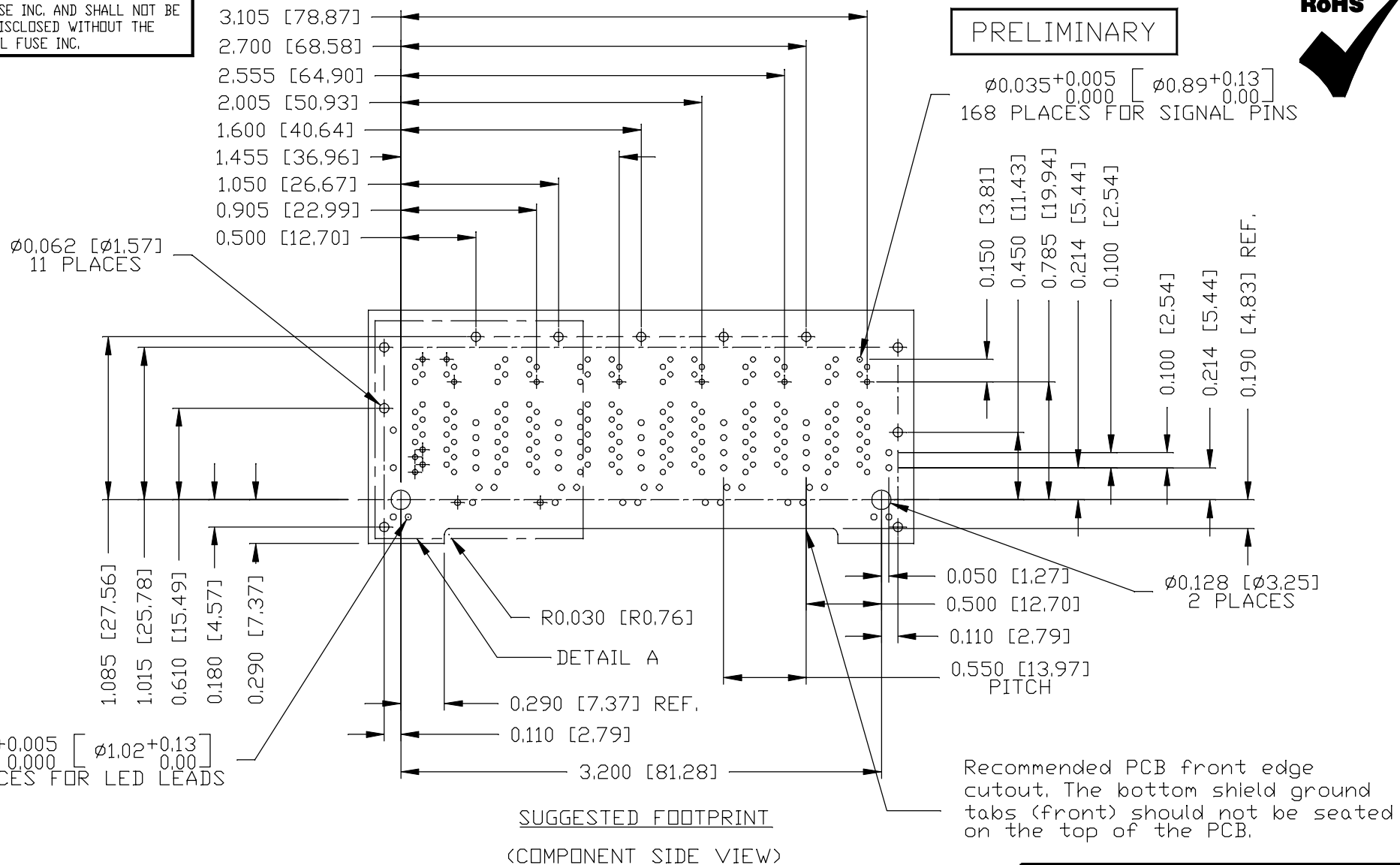
REV. : 1 PAGE : 4

a bel group

THE INFORMATION CONTAINED HEREIN IS CONSIDERED "PROPRIETARY" TO BEL FUSE INC. AND SHALL NOT BE COPIED, REPRODUCED OR DISCLOSED WITHOUT THE WRITTEN APPROVAL OF BEL FUSE INC.



PRELIMINARY



SUGGESTED FOOTPRINT  
(COMPONENT SIDE VIEW)

ORIGINATED BY  
LI QUANKUN  
DATE 2021-05-25  
DRAWN BY  
OLIVER ZHANG  
DATE 2021-05-25

TITLE  
2X6 5 glgabit MagJack®  
60W 4PPoE  
PATENTED

PART NO. / DRAWING NO.  
0895-2B6J-JVC  
FILE NAME  
0895-2B6J-JVC\_1.DWG

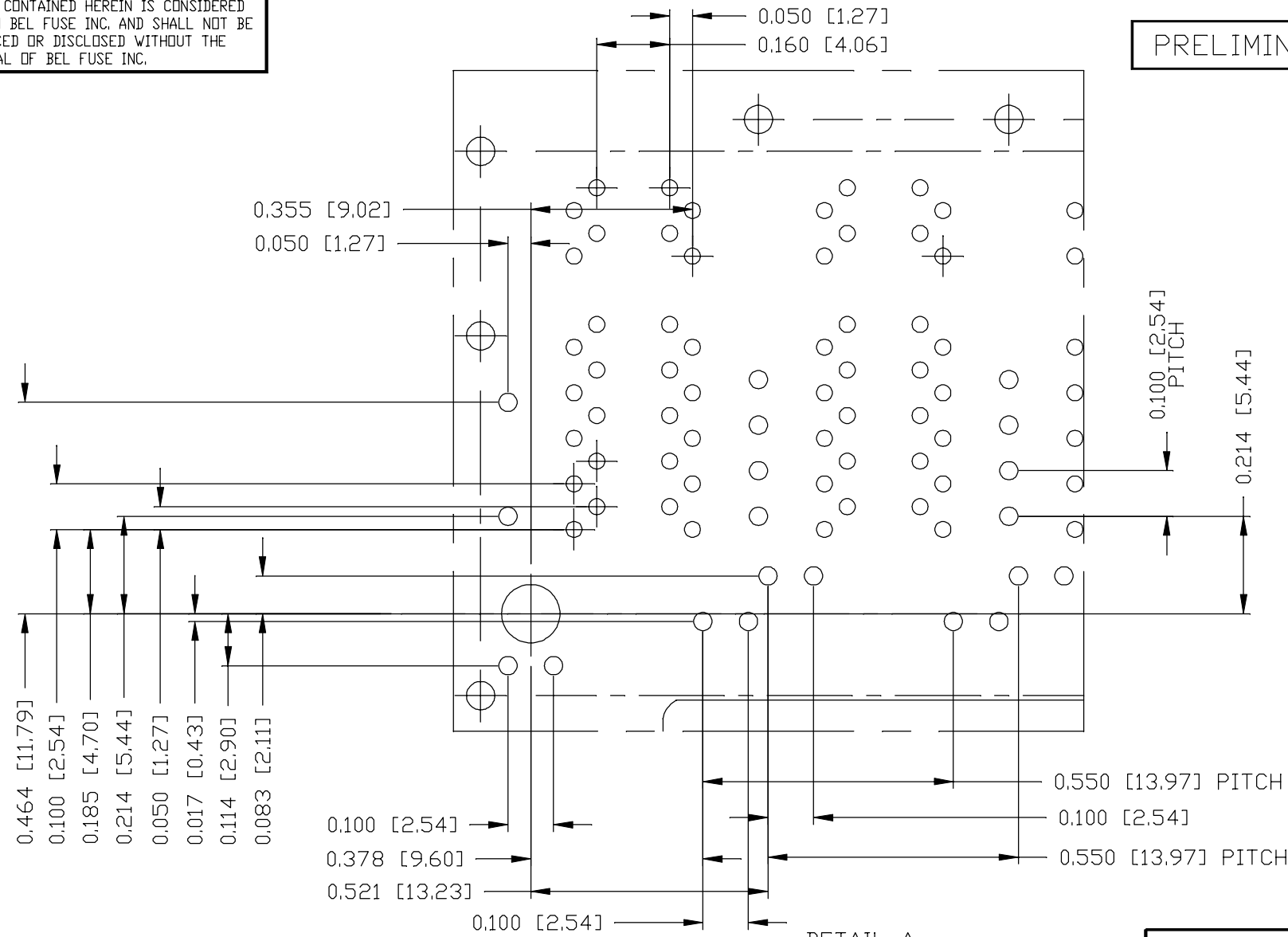
STANDARD DIM. TOL. IN INCH	[ ] METRIC DIM. AS REF.
.X	UNIT : INCH [mm]
.XX	SCALE : N/A
.XXX	±0.004
SIZE : A4	

REV. : 1 PAGE : 5

a bel group

THE INFORMATION CONTAINED HEREIN IS CONSIDERED "PROPRIETARY" TO BEL FUSE INC. AND SHALL NOT BE COPIED, REPRODUCED OR DISCLOSED WITHOUT THE WRITTEN APPROVAL OF BEL FUSE INC.

PRELIMINARY



DETAIL A

ORIGINATED BY  
LI QUANKUN  
DATE 2021-05-25  
DRAWN BY  
OLIVER ZHANG  
DATE 2021-05-25

TITLE  
2X6 5 Gb/s MagJack®  
60W 4PPoE  
PATENTED

PART NO. / DRAWING NO.  
0895-2B6J-JVC  
FILE NAME  
0895-2B6J-JVC\_1.DWG

STANDARD DIM. TOL. IN INCH	[ ] METRIC DIM. AS REF.
.X	UNIT : INCH [mm]
.XX	SCALE : N/A
.XXX	SIZE : A4
±0.004	

REV. : 1 PAGE : 6

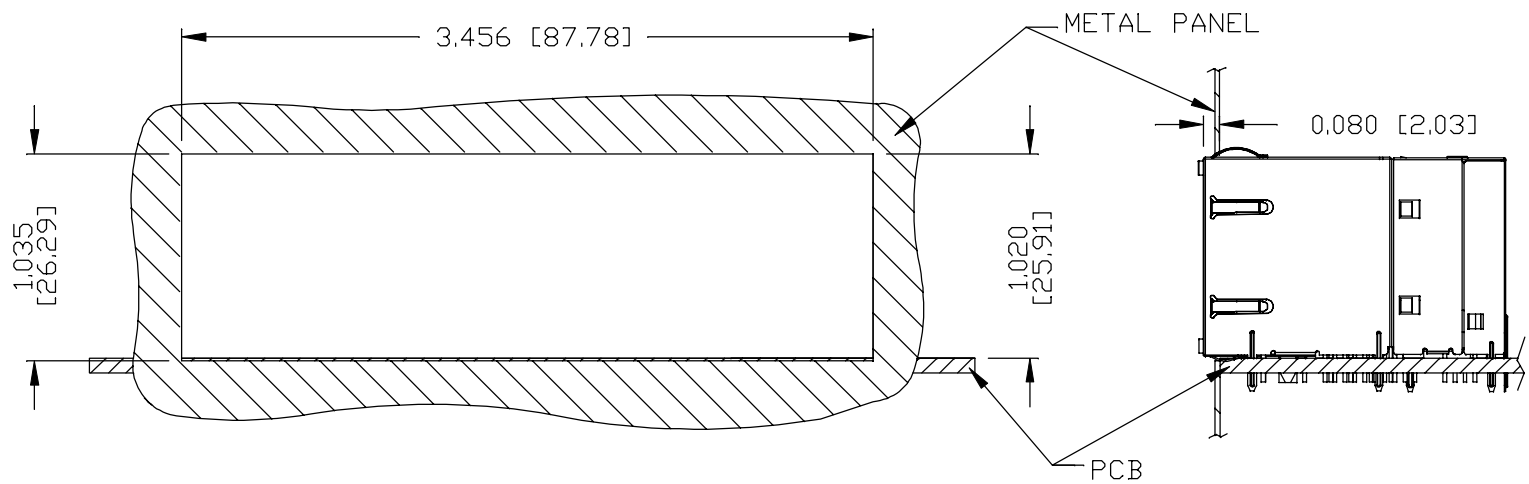


THE INFORMATION CONTAINED HEREIN IS CONSIDERED "PROPRIETARY" TO BEL FUSE INC. AND SHALL NOT BE COPIED, REPRODUCED OR DISCLOSED WITHOUT THE WRITTEN APPROVAL OF BEL FUSE INC.

PRELIMINARY



SUGGESTED PANEL OPENING



NOTE:

THE DISTANCE OF PANEL INSIDE SURFACE RELATIVE TO FRONT SURFACE OF PART IS ONLY A SUGGESTION. IN CASE THIS DISTANCE IS DIFFERENT, THE REQUIRED PANEL OPENING DIMENSIONS CHANGE ACCORDINGLY.

PACKING INFORMATION

PACKING TRAY : 0200-9999-B7 (TOP)

0200-9999-B8 (BOTTOM)

PACKING QUANTITY : 15 PCS FINISHED GOODS PER TRAY,

5 TRAYS (75 PCS FINISHED GOODS) PER CARTON BOX.

NOTE : CARDBOARDS ARE PLACED BETWEEN LAYERS OF PACKING TRAY INSIDE CARTON BOX.

(INCLUDE THE UPPERMOST AND LOWERMOST TRAY)

REV. : 1 PAGE : 7

ORIGINATED BY  
LI QUANKUN  
DATE 2021-05-25  
DRAWN BY  
OLIVER ZHANG  
DATE 2021-05-25

TITLE  
2X6 5 gigabit MagJack®  
60W 4PPoE  
PATENTED

PART NO. / DRAWING NO.  
0895-2B6J-JVC  
FILE NAME  
0895-2B6J-JVC\_1.DWG

STANDARD DIM. TOL. IN INCH	[ ] METRIC DIM. AS REF.
.X	UNIT : INCH [mm]
.XX	SCALE : N/A
.XXX	SIZE : A4
±0.005	

