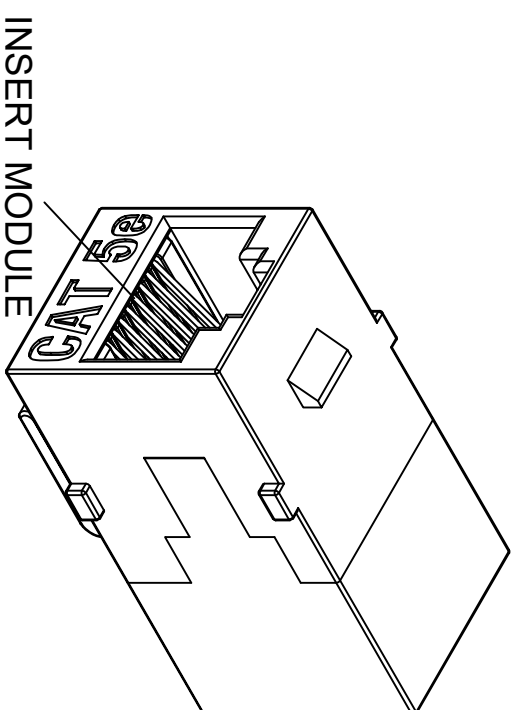
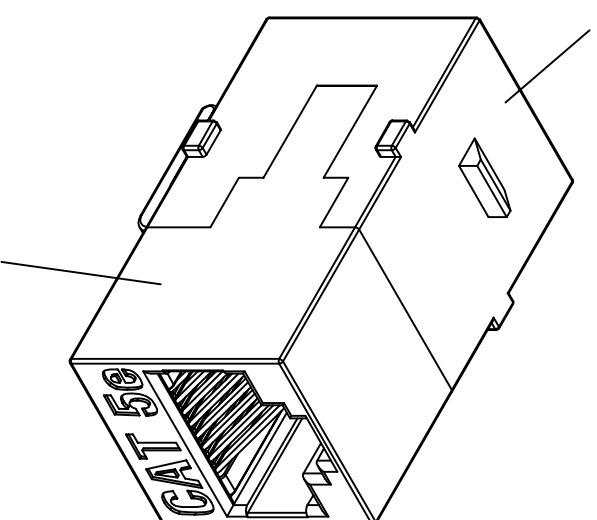


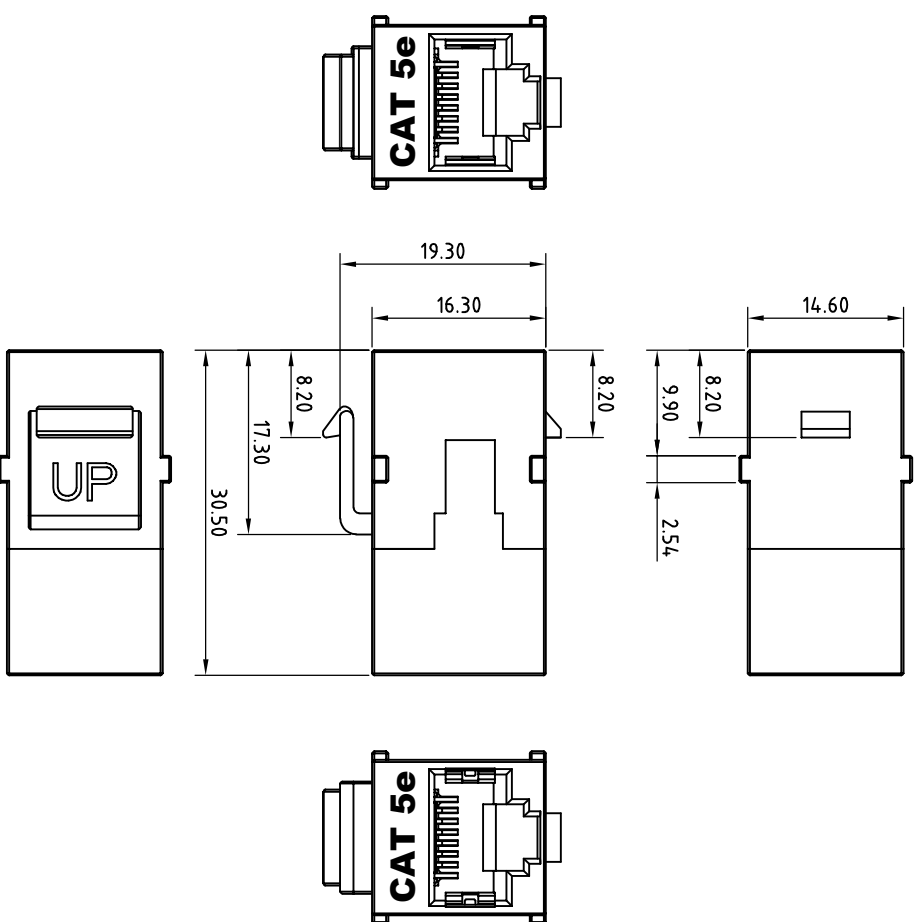
## ISOMETRIC VIEW



## JACK HOUSING LEFT



## ASSEMBLY DIMENSION



## JACK HOUSING RIGHT

COMPONENTS		
3	INSERT MODULE	2
2	JACK HOUSING LEFT	1
1	JACK HOUSING RIGHT	1
ITEM	PART NAME	Q'TY

Transmission Performance:  
Meet Cat 5e Channel performance requirements  
specified in TIA-568-C.2

## ELECTRICAL

Electrical Insulation Resistance : 500 MΩ  
min. @ 100V d.c.

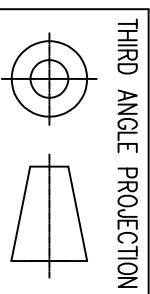
Dielectric Withstanding Voltage : 1000V d.c. or  
a.c. Peak Contact to Contact @ 60Hz for 1  
minute,

## MECHANICAL

Insertion / Extraction Life : 750 Cycles Minimum  
PHYSICAL

Housing : High-Impact, Flame-Retardant Plastic,  
UL 94V-0  
Spring Wire : Phosphor Bronze Alloy Plated With  
50 micro-inch of Gold

SS-82000-004  
PART NUMBER

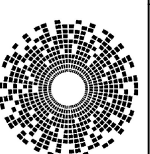


THIRD ANGLE PROJECTION

DO NOT SCALE DRAWING  
DRAWING IS SUBJECT TO  
CHANGE WITHOUT NOTICE

DIMENSIONS: METRIC  
UNLESS OTHERWISE SPECIFIED  
TOLERANCES ARE ±0.2  
ANGLES ARE ± 1°

SHEET NO. 1 OF 1



**bel**

206 Van Vorst Street  
Jersey City, NJ 07302  
+1 201 432 0463  
<http://www.belfuse.com>

CAT 5e UNSHIELDED KEYSTONE COUPLER JACK

THIS DRAWING AND THE SUBJECT MATTER SHOWN THEREON  
ARE CONFIDENTIAL AND THE PROPRIETARY PROPERTY OF  
BEL FUSE, INC. AND SHALL NOT BE REPRODUCED,  
COPIED, OR USED IN ANY MANNER WITHOUT PRIOR WRITTEN  
CONSENT OF BEL FUSE, INC.

DRN BY:	DATE	APP'D BY:	DATE	DWG NO.	REV.
DG	03/14/18	TM	03/14/18	CT820017	A1

