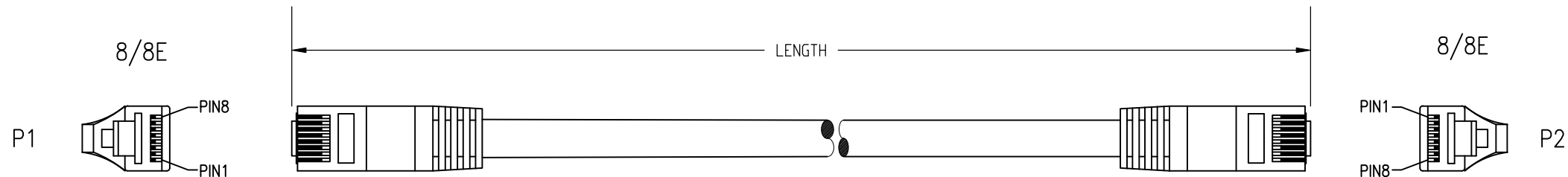


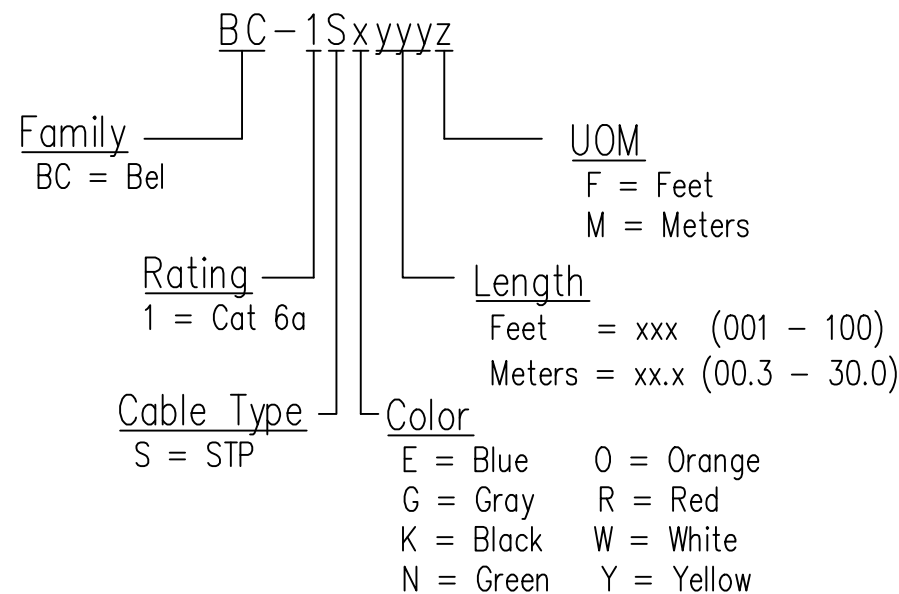
DATE	REV	ECN	APP'D. BY
05/07/21	A0	RELEASED	JME
05/14/21	A1	11751	BTS
09/12/22	A2	12039	GWL



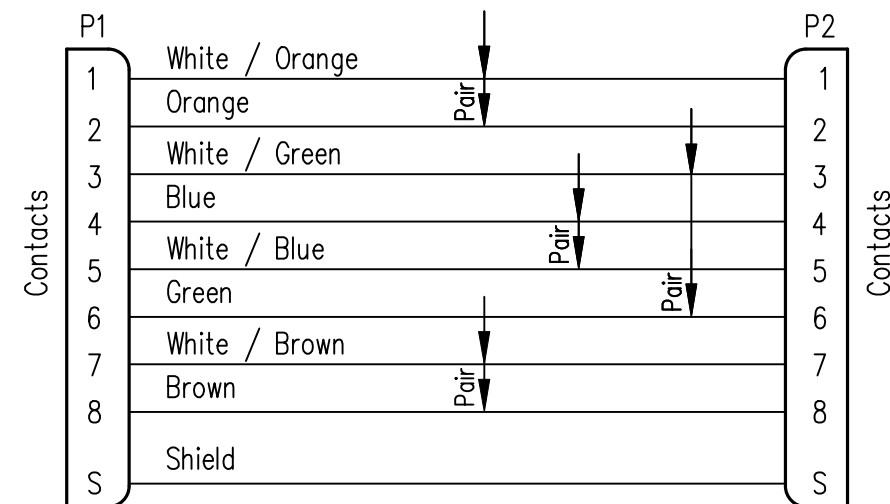
Notes:

- 1) Each cable assembly to be individually bagged.
- 2) 50μ" Gold plating on contacts
- 3) Cable Construction:
 - 24AWG stranded Cat 6A cable
 - 4Pr, S/STP
 - PVC Jacket
- 4) Overmolded Strain Relief
Color to match jacket color

P/N Key:



Wiring Map: 568B Standard

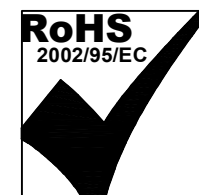


Example Part Numbers

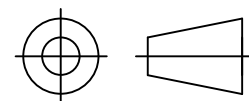
P/N	Color	Length
BC-1SR001F	Red	1'
BC-1SE003F	Blue	3'
BC-1SK005F	Black	5'
BC-1SK010F	Black	10'

O/A Length Tolerance:

Imperial		
0 ~ 1ft		±0.5in
2ft ~ 3ft		±0.75in
4ft ~ 7ft		±1.0in
>7ft		±1.5in
Metric		
0 ~ 200mm		±10mm
201 ~ 1000mm		±20mm
1001 ~ 1500mm		±25mm
1501 ~ 2100mm		±30mm
>2100mm		±40mm



THIRD ANGLE PROJECTION

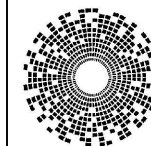


DO NOT SCALE DRAWING
DRAWING IS SUBJECT TO CHANGE WITHOUT NOTICE

DIMENSIONS: INCHES [METRIC]

UNLESS OTHERWISE SPECIFIED TOLERANCES ARE ±.005 [0.13] ANGLES ARE ± 1°

SHEET NO. 1 OF 1



bel

206 Van Vorst Street
Jersey City, NJ 07302
+1 201 432 0463
<http://www.belfuse.com>

TITLE: **Bel Patchcord Assembly, Cat 6A S/STP**

THIS DRAWING AND THE SUBJECT MATTER SHOWN THEREON ARE CONFIDENTIAL AND THE PROPRIETARY PROPERTY OF BEL FUSE, INC. AND SHALL NOT BE REPRODUCED, COPIED, OR USED IN ANY MANNER WITHOUT PRIOR WRITTEN CONSENT OF BEL FUSE, INC.

DRN BY: BTS	DATE 05/07/21
APPD BY: JME	DATE 05/07/21
DWG NO. CT999256	REV. A2