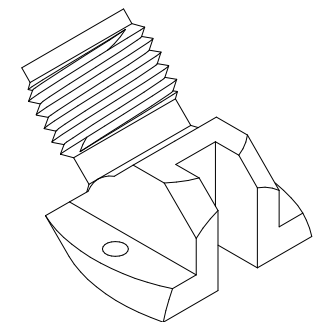
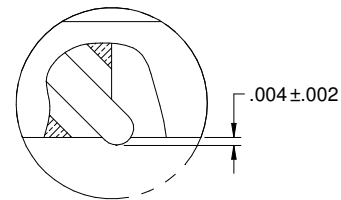
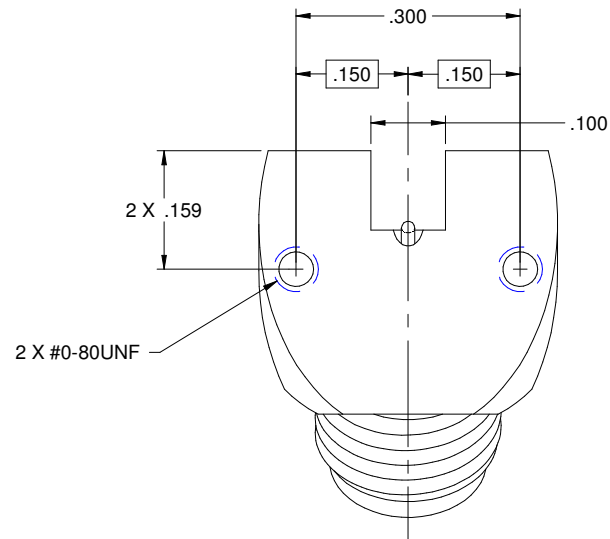
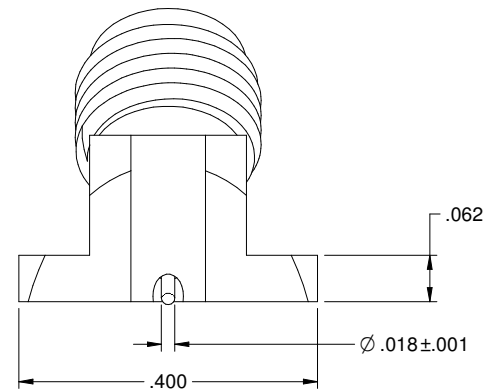
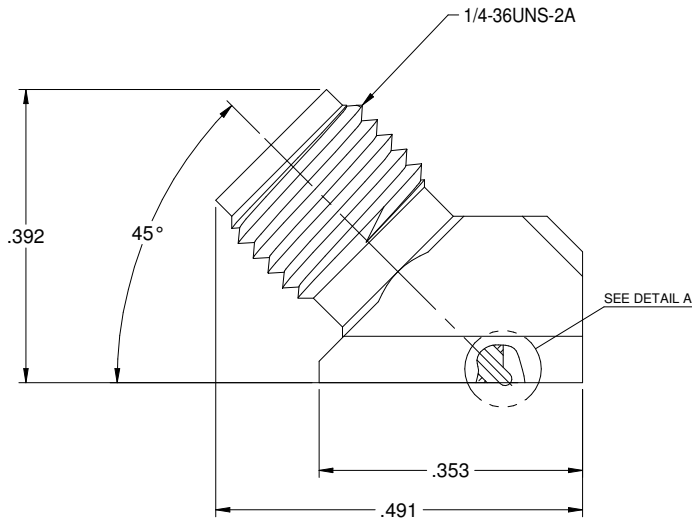


MODEL NUMBER
145-0701-221

REV	ECO	DATE
0B	ECO-19-XXXX	6/10/2019



SPECIFICATION:

ELECTRICAL:

IMPEDANCE: 50 OHMS
 FREQUENCY RANGE: 0-40 GHz
 VSWR: 1.25 MAX DC-26.5GHz, 1.5MAX 26.5GHz-40GHz
 WORKING VOLTAGE: 250 VRMS MAX AT SEA LEVEL
 DIELECTRIC WITHSTANDING VOLTAGE: 750 VRMS MIN AT SEA LEVEL
 INSULATION RESISTANCE: 5000 MEGOHM MIN
 CONTACT RESISTANCE:
 CENTER CONTACT - INITIAL 3 MILLIOHM MAX, AFTER ENVIRONMENTAL NOT APPLICABLE
 OUTER CONDUCTOR - INITIAL 2 MILLIOHM MAX, AFTER ENVIRONMENTAL NOT APPLICABLE
 RF LEAKAGE: -90dB TYPICAL AT 2.5GHz

MECHANICAL:

ENGAGEMENT/DISENGAGEMENT FORCE: 2 INCH-POUNDS MAX
 CONTACT RETENTION: 6 LBS MIN AXIAL FORCE
 MATING TORQUE: 7 TO 10 INCH-POUNDS
 DURABILITY: 500 CYCLES MIN

ENVIRONMENTAL:

OPERATING TEMPERATURE: -40 TO 85 °C
 THERMAL SHOCK: MIL-STD-202, METHOD 107, CONDITION B
 CORROSION: MIL-STD-202, METHOD 101, CONDITION B
 SHOCK: MIL-STD-202, METHOD 213, CONDITION I
 VIBRATION: MIL-STD-202, METHOD 204, CONDITION D
 MOISTURE RESISTANCE: MIL-STD-202, MEHTOD 106

MATERIAL AND FINISH:

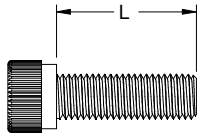
BODY: GOLD PLATED BRASS
 CENTER CONTACT: GOLD PLATED BERYLLIUM COPPER
 INSULATOR: PTFE (TEFLON)

	SEE NOTE	Model No. 145-0701-221	File: 2.92MM 45 DEGREE PC MOUNT JACK
	SEE NOTE	RoHS2 201185EU	Drawing No. 145-0701-221
SEE NOTE	XX +.02 XXX -0.05 ANGLES & DEG	Drawn by: R.SHEN	Rev: 0B
SEE NOTE	DO NOT SCALE DRAWING	Date: 6/10/19	Sheet 1 of 2

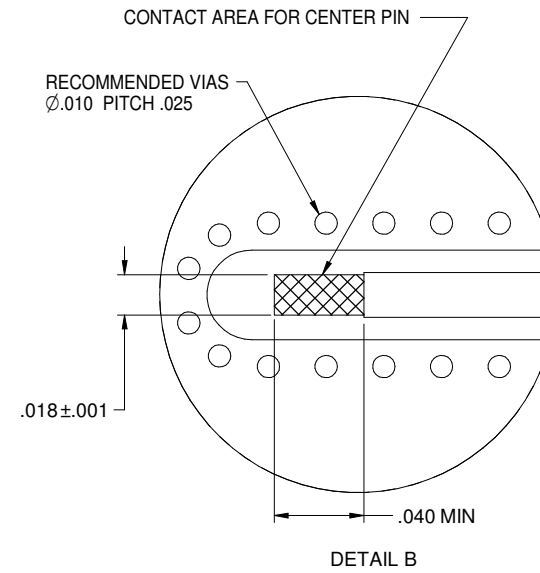
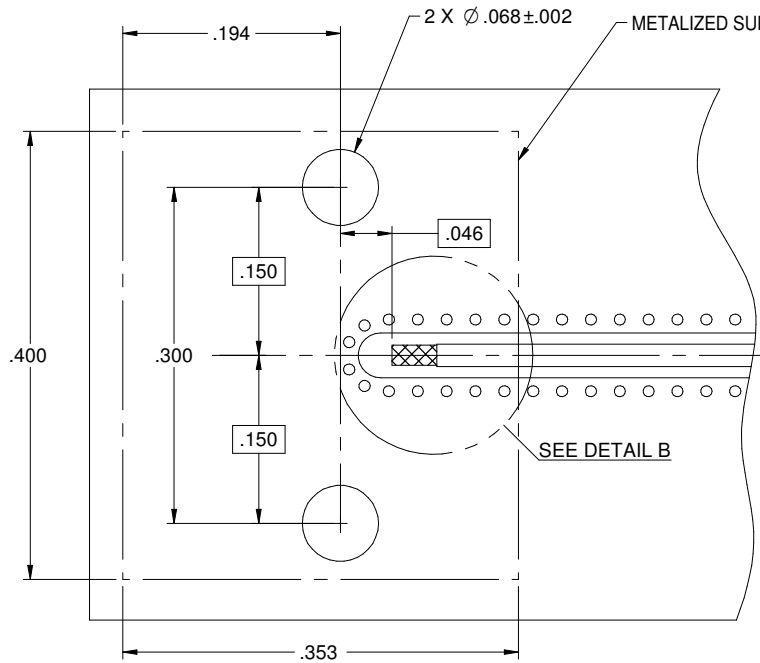
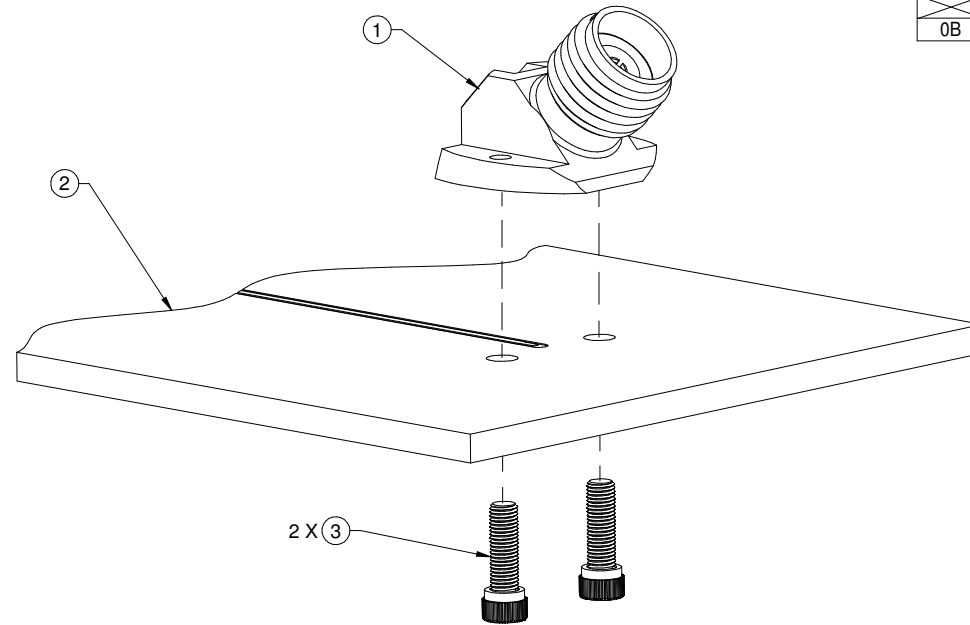
REV	ECO	DATE
0B	ECO-19-XXXX	6/10/2019

PC MOUNTING INSTRUCTIONS:

- A. POSITION THE CONNECTOR(1) ON THE PC BOARD(2).
- B. USING MOUNTING SCREWS #0-80 UNF(3) ATTACH CONNECTOR TO PCB. SLIGHTLY ADJUST THE LOCATION AND MAKE SURE THE CONTACT PIN IS CENTERED ON THE SIGNAL TRACE.
- C. TIGHTEN SCREWS AND TORQUE FORCE SHOULD NOT EXCEED 0.8 IN-LBS.



RECOMMENDED SCREW DIMENSIONS	
L	PCB THICKNESS
3/16"(4.76mm)	.030"(0.76mm) to .096"(2.44mm)
1/4"(6.35mm)	.070"(1.78mm) to .165"(4.19mm)
3/8"(9.53mm)	.170"(4.32mm) to .295"(7.49mm)



RECOMMENDED PCB LAYOUT
 NOTE: THIS PATTERN IS FOR REFERENCE ONLY.
 PATTERN MAY VARY DEPENDING ON BOARD TYPE,
 SPECIFIC ELECTRICAL OR MECHANICAL
 REQUIREMENTS.

	SEE NOTE	Model No. 145-0701-221	File:
	SEE NOTE	RoHS2 2011/65/EU	2.92MM 45 DEGREE PC MOUNT JACK
SEE NOTE	XX +.02 XXX +.005	Drawn by: R.SHEN	Drawing No. 145-0701-221
SEE NOTE	ANGLES: 45 DEG	Date: 6/10/19	Rev: 0B
		Size: C	DO NOT SCALE DRAWING
			Sheet 2 of 2