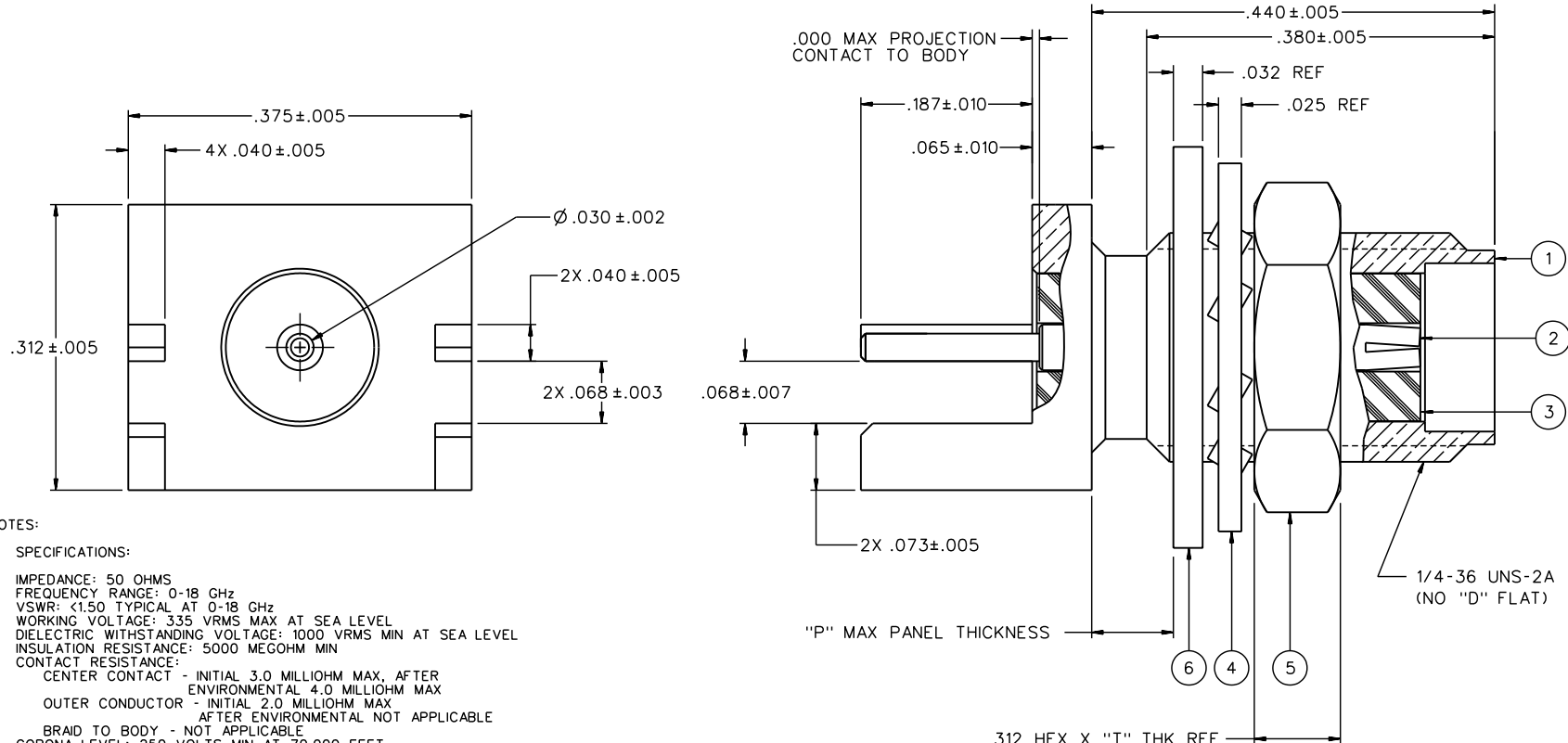


PART NUMBER	ITEM ① BODY	ITEM ② CONTACT	ITEM ③ INSULATOR	ITEM ④ LOCKWASHER	ITEM ⑤ NUT	ITEM ⑥ FLAT WASHER	"P"	"T"
142-0701-871	BRASS GOLD PL .00001 MIN OVER NICKEL PL .00005 MIN OVER COPPER PL .00005 MIN	BERYLLIUM COPPER GOLD PL .00005 MIN OVER NICKEL PL .00005 MIN OVER COPPER PL .00005 MIN	TEFLON	BRONZE GOLD PL .00001 MIN OVER NICKEL PL .00005 MIN OVER COPPER PL .00005 MIN	BRASS GOLD PL .00001 MIN OVER NICKEL PL .00005 MIN OVER COPPER PL .00005 MIN	—	.109	.094
142-0701-872	BRASS GOLD PL .00001 MIN OVER NICKEL PL .00005 MIN OVER COPPER PL .00005 MIN	BERYLLIUM COPPER GOLD PL .00005 MIN OVER NICKEL PL .00005 MIN OVER COPPER PL .00005 MIN	TEFLON	BRONZE GOLD PL .00001 MIN OVER NICKEL PL .00005 MIN OVER COPPER PL .00005 MIN	BRASS GOLD PL .00001 MIN OVER NICKEL PL .00005 MIN OVER COPPER PL .00005 MIN	BRASS GOLD PL .00001 MIN OVER NICKEL PL .00005 MIN OVER COPPER PL .00005 MIN	.078	.094
142-0701-873	BRASS GOLD PL .00001 MIN OVER NICKEL PL .00005 MIN OVER COPPER PL .00005 MIN	BERYLLIUM COPPER GOLD PL .00005 MIN OVER NICKEL PL .00005 MIN OVER COPPER PL .00005 MIN	TEFLON	BRONZE GOLD PL .00001 MIN OVER NICKEL PL .00005 MIN OVER COPPER PL .00005 MIN	BRASS GOLD PL .00001 MIN OVER NICKEL PL .00005 MIN OVER COPPER PL .00005 MIN	—	.125	.062
142-0701-874	BRASS GOLD PL .00001 MIN OVER NICKEL PL .00005 MIN OVER COPPER PL .00005 MIN	BERYLLIUM COPPER GOLD PL .00005 MIN OVER NICKEL PL .00005 MIN OVER COPPER PL .00005 MIN	TEFLON	—	BRASS GOLD PL .00001 MIN OVER NICKEL PL .00005 MIN OVER COPPER PL .00005 MIN	BRASS GOLD PL .00001 MIN OVER NICKEL PL .00005 MIN OVER COPPER PL .00005 MIN	.125	.062
142-0701-875	BRASS GOLD PL .00001 MIN OVER NICKEL PL .00005 MIN OVER COPPER PL .00005 MIN	BERYLLIUM COPPER GOLD PL .00005 MIN OVER NICKEL PL .00005 MIN OVER COPPER PL .00005 MIN	TEFLON	—	—	—	—	—
142-0701-876	BRASS NICKEL PL .0001 MIN OVER COPPER PL .00005 MIN	BERYLLIUM COPPER GOLD PL .00005 MIN OVER NICKEL PL .00005 MIN OVER COPPER PL .00005 MIN	TEFLON	BRONZE NICKEL PL .0001 MIN OVER COPPER PL .00005 MIN OVER	BRASS NICKEL PL .0001 MIN OVER COPPER PL .00005 MIN OVER	—	.109	.094
142-0701-877	BRASS NICKEL PL .0001 MIN OVER COPPER PL .00005 MIN	BERYLLIUM COPPER GOLD PL .00005 MIN OVER NICKEL PL .00005 MIN OVER COPPER PL .00005 MIN	TEFLON	BRONZE NICKEL PL .0001 MIN OVER COPPER PL .00005 MIN OVER	BRASS NICKEL PL .0001 MIN OVER COPPER PL .00005 MIN OVER	BRASS NICKEL PL .0001 MIN OVER COPPER PL .00005 MIN OVER	.094	.062

DRAWING NO.		C - 142-0701-871/880	
0 REVISIONS			
ENGINEERING RELEASE			
1	10-7-93	R H A P H K B A	10-12-93 ECO 42087
CHANGED: .380--.005 WAS .335--.005			
2	11-23-93	R H A P H K B A	12-1-93 ECO 42181
ADDED: PART NO'S 142-0701-871 AND -876, NOTES 2 AND 3			
CHANGED: .068--.007 WAS .068--.006, UPDATED GRAPHICS			
2a	2-25-94	R H A P H K B A	3-2-94 HECO 42292
ADDED: WASHER AND NUT TO -871, -875 AND -876, 142-0701-872			
3	3-29-94	R H A P H K B A	3-30-94 ECN 42380
DELETED: -875, NOTE 3 TIN/ DIP LEGS			
3a	6-13-94	R H A P H K B A	6-21-94 ECN 42520
ADDED: .000 MAX PROJECTION, CUT AWAY FLANGE DETAIL, MAX PANEL THICKNESS			
CHANGED: 4X .040--.005 WAS 2X .040--.005			
DELETED: .025--.010, NOTE 2, P/N 142-0701-871/880			
4	10-24-96	R H A P H K B A	ECN 44266
VERSION UPDATE			
5	3-1-99	R H A P H K B A	ECN 46209
ADDED: P/N 142-0701-872, ITEM 6 FLAT WASHER "LOCK" TO ITEM 4, .025 REF, .312 HEX X .094 THK REF, .032 REF, "P" DIMENSION			
CHANGED: ITEM 4 BRONZE WAS BRASS, "P" MAX PANEL THICKNESS WAS .125			
6	11-25-02	R H A P H K B A	ECN 47962
ADDED: P/N 142-0701-873, DIM "T"			
6a	12-17-02	R H A P H K B A	ECN 48651
ADDED: P/N 142-0701-874			
6b	8-27-03	R H A P H K B A	ECN 48967
ADDED: P/N 142-0701-874			
***** REVISION NUMBER FOLLOWED BY AN ALPHA *****			
***** CHARACTER INDICATES DRAWING CLARIFI*****			
***** CATION OR PART NUMBER ADDITION ONLY *****			
6c	9-9-03	R H A P H K B A	ECN 48998
ADDED: P/N 142-0701-875			
***** REVISION NUMBER FOLLOWED BY AN ALPHA *****			
***** CHARACTER INDICATES DRAWING CLARIFI*****			
***** CATION OR PART NUMBER ADDITION ONLY *****			
6d	7-21-04	R H A P H K B A	8-3-04 ECN 49375



NOTES:

- SPECIFICATIONS:
  - IMPEDANCE: 50 OHMS
  - FREQUENCY RANGE: 0-18 GHz
  - VSWR: <1.50 TYPICAL AT 0-18 GHz
  - WORKING VOLTAGE: 335 VRMS MAX AT SEA LEVEL
  - DIELECTRIC WITHSTANDING VOLTAGE: 1000 VRMS MIN AT SEA LEVEL
  - INSULATION RESISTANCE: 5000 MEGOHM MIN
  - CONTACT RESISTANCE:
    - CENTER CONTACT - INITIAL 3.0 MILLIOHM MAX, AFTER ENVIRONMENTAL 4.0 MILLIOHM MAX
    - OUTER CONDUCTOR - INITIAL 2.0 MILLIOHM MAX AFTER ENVIRONMENTAL NOT APPLICABLE
  - BRAID TO BODY - NOT APPLICABLE
  - CORONA LEVEL: 250 VOLTS MIN AT 70,000 FEET
  - INSERTION LOSS: NOT APPLICABLE
  - RF LEAKAGE: NOT APPLICABLE
  - RF HIGH POTENTIAL WITHSTANDING VOLTAGE: 670 VRMS MIN AT 4 AND 7 MHz

ENVIRONMENTAL:

(MEETS OR EXCEEDS THE APPLICABLE PARAGRAPH OF MIL-PRF-39012)

THERMAL SHOCK: MIL-STD-202, METHOD 107, CONDITION B

OPERATING TEMPERATURE: -65 DEG C TO 165 DEG C

CORROSION: MIL-STD-202, METHOD 101, CONDITION B

SHOCK: MIL-STD-202, METHOD 213, CONDITION I

VIBRATION: MIL-STD-202, METHOD 204, CONDITION D

MOISTURE RESISTANCE: MIL-STD-202, METHOD 106

MECHANICAL:

ENGAGE/DISENGAGE TORQUE: 2 INCH-POUNDS MAX

MATING TORQUE: 7-10 INCH POUNDS

COUPLING PROOF TORQUE: NOT APPLICABLE

COUPLING NUT RETENTION: NOT APPLICABLE

CONTACT RETENTION: 6 LBS MIN AXIAL FORCE

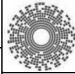
4 IN-OZ MIN RADIAL TORQUE

CABLE ACCEPTABILITY: NOT APPLICABLE

CABLE HEX CRIMP SIZE: NOT APPLICABLE

CABLE RETENTION: NOT APPLICABLE

DURABILITY: 500 CYCLES MIN

TOLERANCE UNLESS OTHERWISE SPECIFIED	DRAWN BY	DATE	 <b>cinch</b> CONNECTIVITY SOLUTIONS <small>a bel group</small>	P.O. Box 1732 Waseca, MN 56093 1-800-247-8256
DECIMALS _____ mm	RJB	9-27-93		TITLE
.XXX _____	CHECKED BY	DATE	SHEET	DRAWING NO.
MATL _____	APPROVED BY	DATE	1 OF 1	C - 142-0701-871/880
FINISH _____	RJB	10-7-93		
	RELEASE DATE	10-12-93		
	U/M INCH	SCALE 10:1		

CUSTOMER DRAWING

THIS DRAWING TO BE INTERPRETED PER ASME Y 14.5M - 1994

"μSTATION"

COMPANY CONFIDENTIAL