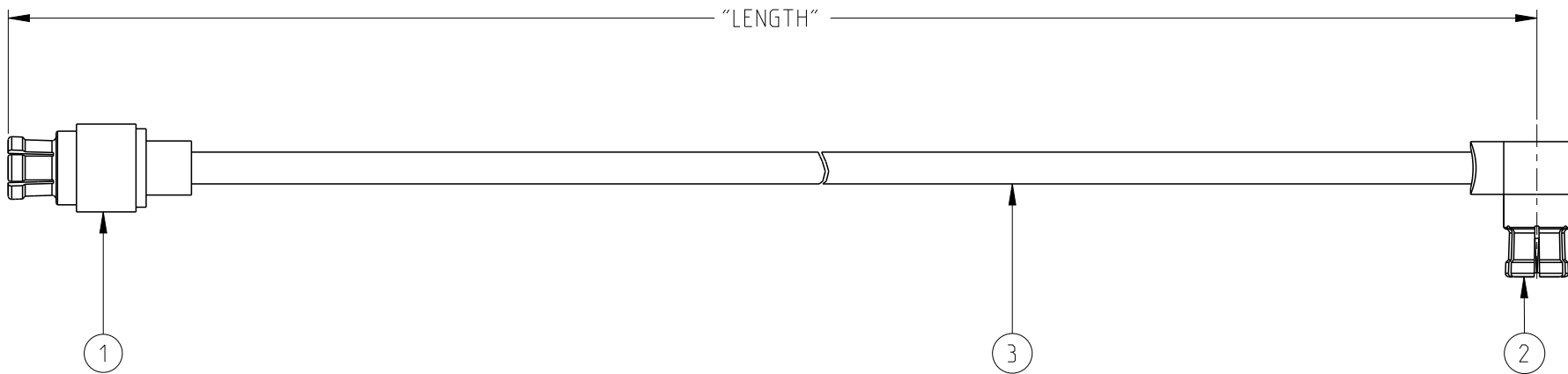


TABLE 1	
MODEL NUMBER	LENGTH
415-0531-006	6.00±.15
415-0531-012	12.00±.25

REV	ECO	DATE
1	INITIAL RELEASE	6/24/2021



PART LIST		
ITEM	QTY	DESCRIPTION
1	1	SMPM STR FEMALE
2	1	SMPM RA FEMALE
3	AR	CABLE

NOTES: UNLESS OTHERWISE SPECIFIED.

1. CABLE ASSEMBLY DIELECTRIC WITHSTANDING VOLTAGE: 500 VRMS FOR A PERIOD OF ONE MINUTE.
2. CABLE ASSEMBLIES TO BE 100% TESTED FOR VOLTAGE AND CONTINUITY.

<p>This PROPRIETARY Document is property of Cinch Connectivity Solutions. It is confidential in nature, non-transferable, and issued with the clear understanding that it is not traced or copied without permission and is returnable upon demand.</p> <p>INTERPRET DRAWING IN ACCORDANCE WITH ASME Y14.5-2009.</p>	<p>Model No: 415-0531-001/999</p> <p>RoHS <input checked="" type="checkbox"/> (EU)/2015/863 COMPLIANT</p> <p>UNLESS OTHERWISE SPECIFIED UNITS: INCH</p> <p>.XX ± .01 .XXX ± .003 .XXXX ± .0010 ANGLE ± 2°</p>	<p>Cage Code</p> <p>3RD ANGLE PROJECTION</p> <p>Drawn by: ROMAN YAO</p> <p>Date: 6/24/2021</p>	<p>JOHNSON</p> <p>Title: CABLE ASSY. SMPM STR FEMALE TO SMPM RA FEMALE. .047" SEMI-RIGID</p> <p>Drawing No. 415-0531-001/999</p> <p>Size A DO NOT SCALE DRAWING</p>	<p>REV. 1</p> <p>Workmanship Std/Sheet NONE 1 OF 1</p>
--	---	--	---	--