

PART NUMBER
137-0599-411

REV	ECO	DATE
1	INITIAL RELEASE	08/16/2021

1. MATERIAL AND FINISH:

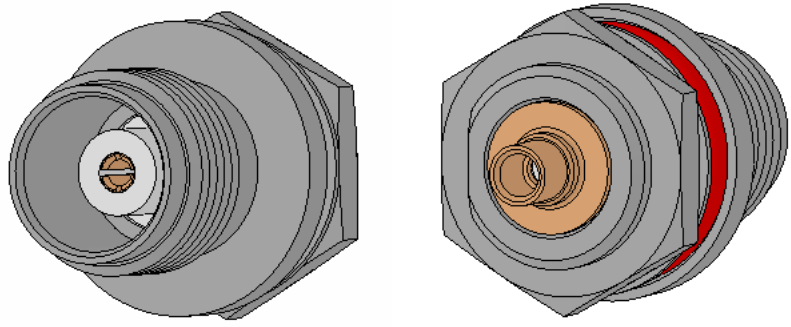
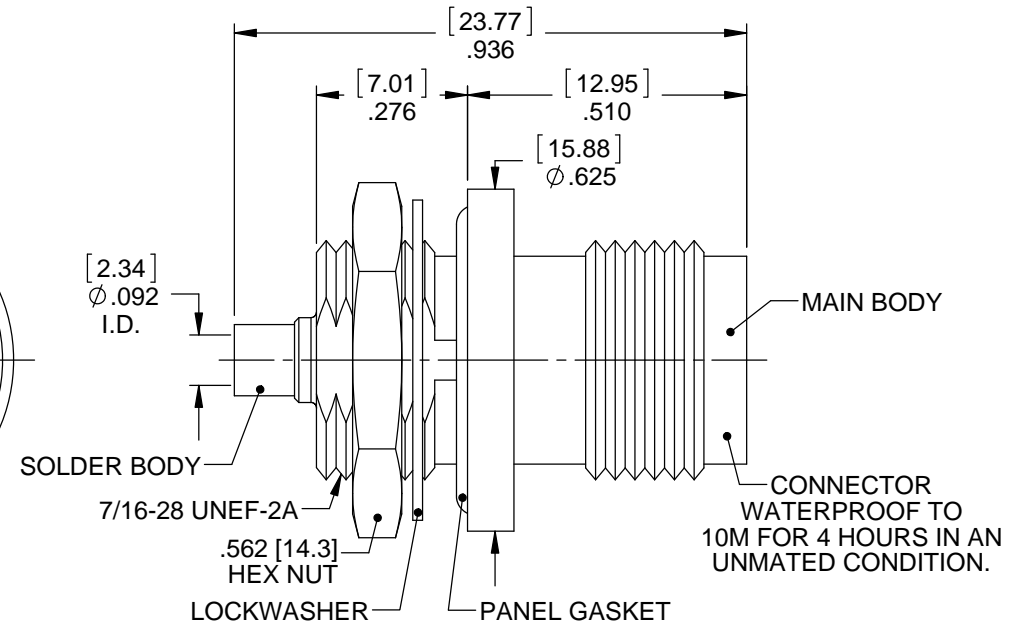
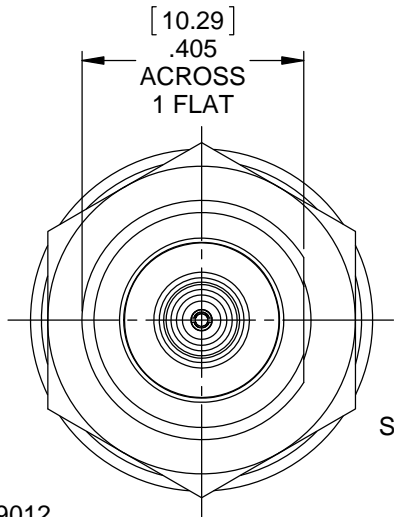
- 1.1 BODY: STAINLESS STEEL, PASSIVATED
- 1.2 SOLDER BODY: STAINLESS STEEL, GOLD PLATE
- 1.3 CONTACT: BERYLLIUM COPPER, GOLD PLATE
- 1.4 INSULATOR: PTFE
- 1.5 GASKETS: SILICONE RUBBER

2. ELECTRICAL SPECIFICATIONS:

- 2.1 IMPEDANCE: 50 OHMS NOMINAL
- 2.2 FREQUENCY RANGE: DC-11 GHZ
- 2.3 DIELECTRIC WITHSTANDING VOLTAGE: 1,500 VRMS
- 2.4 INSULATION RESISTANCE: 5,000 MEGOHMS

3. MECHANICAL SPECIFICATIONS:

- 3.1 CONNECTOR DURABILITY: 500 CYCLES MIN.
- 3.2 PANEL THICKNESS: .156 [4.0] MAX.
- 3.3 CABLE: RG405 (.086 S/R)
- 3.4 CONNECTOR MEETS: MIL-STD-348 FIG. 313-2, MIL-PRF-39012



<p>This PROPRIETARY Document is property of Cinch Connectivity Solutions. It is confidential in nature, non-transferable, and issued with the clear understanding that it is not traced or copied without permission and is returnable upon demand.</p> <p>INTERPRET DRAWING IN ACCORDANCE WITH ASME Y14.5-2009.</p>	Model No: 137-0599-411/420	Title: JOHNSON TNC BULKHEAD MOUNT JACK .086 CABLE (FRONT MOUNT)		
	RoHS <input checked="" type="checkbox"/> (EU)/2015/863 COMPLIANT	Cage Code	Drawing No.	REV. 1
	UNLESS OTHERWISE SPECIFIED UNITS: INCH	3RD ANGLE PROJECTION	Drawn by: TOMMY REN	137-0599-411/420
	.XXX ± .008 .XXXX ± .004 ANGLES ± 5°	Date: 08/16/2021	Size B	DO NOT SCALE DRAWING Workmanship Std: NONE Sheet 1 OF 1