

PART NUMBER
137-0403-101

REV	ECO	DATE
1	INITIAL RELEASE	08/16/2021

1. MATERIAL AND FINISH:

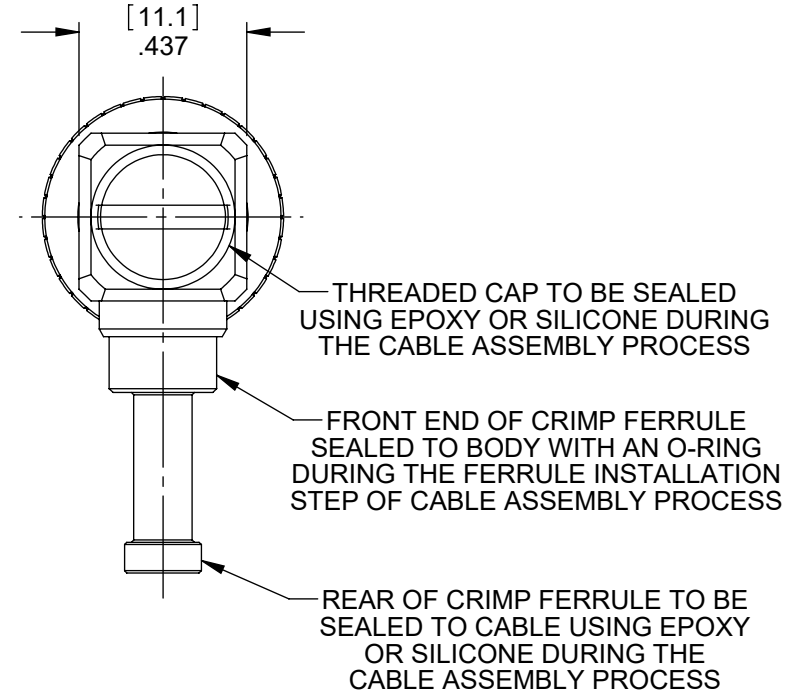
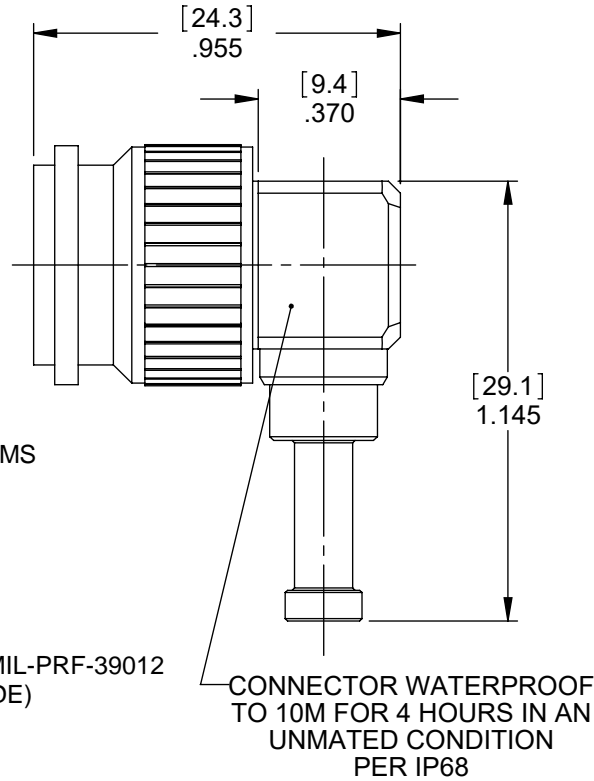
- 1.1 BODY: BRASS, NICKEL PLATE
- 1.2 CONTACT: BRASS, GOLD PLATE
- 1.3 CRIMP FERRULE: BRASS, NICKEL PLATE
- 1.4 INSULATOR: PTFE
- 1.5 GASKETS: SILICONE RUBBER

2. ELECTRICAL SPECIFICATIONS:

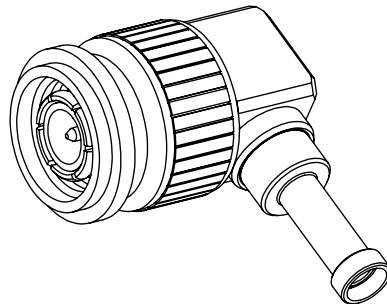
- 2.1 IMPEDANCE: 50 OHMS NOMINAL
- 2.2 FREQUENCY RANGE: DC-11 GHZ
- 2.3 DIELECTRIC WITHSTANDING VOLTAGE: 1,500 VRMS
- 2.4 INSULATION RESISTANCE: 5,000 MEGOHMS
- 2.5 TEMPERATURE RATING: -65°C TO +165°C

3. MECHANICAL SPECIFICATIONS:

- 3.1 CONNECTOR DURABILITY: 500 CYCLES MIN.
- 3.2 CABLE: R316 OR EQUIVALENT
- 3.3 CONNECTOR MEETS: MIL-STD-348 FIG. 313-1, MIL-PRF-39012
- 3.4 FERRULE CRIMP TOOL: .128 HEX (.375 MAX WIDE)



NOTES: 1. ADHESIVE LINED HEAT SHRINK TUBING TO BE APPLIED OVER FERRULE CRIMP SECTION OF CABLE ASSEMBLY (INCLUDED).



<p>This PROPRIETARY Document is property of Cinch Connectivity Solutions. It is confidential in nature, non-transferable, and leased with the clear understanding that it is not traced or copied without permission and is returnable upon demand.</p> <p>INTERPRET DRAWING IN ACCORDANCE WITH ASME Y14.5-2009.</p>	Model No:	137-0403-101/110	JOHNSON		
	RoHS <input checked="" type="checkbox"/> (EU)/2015/863 COMPLIANT	Cage Code	Title: TNC RIGHT ANGLE CRIMP PLUG RG316 (LOW PROFILE)		
	UNLESS OTHERWISE SPECIFIED UNITS: INCH	3RD ANGLE PROJECTION	Drawing No.	137-0403-101/110	
	.XXX ± .008 .XXXX ± .004 ANGLES ± 5°	Drawn by: TOMMY REN Date: 08/16/2021	Sheet	1 OF 1	
Size B	DO NOT SCALE DRAWING	Workmanship Std: NONE			