

PART NUMBER
134-1001-461

REV	ECO	DATE
1	INITIAL RELEASE	12/03/2021

1. MATERIAL AND FINISH:

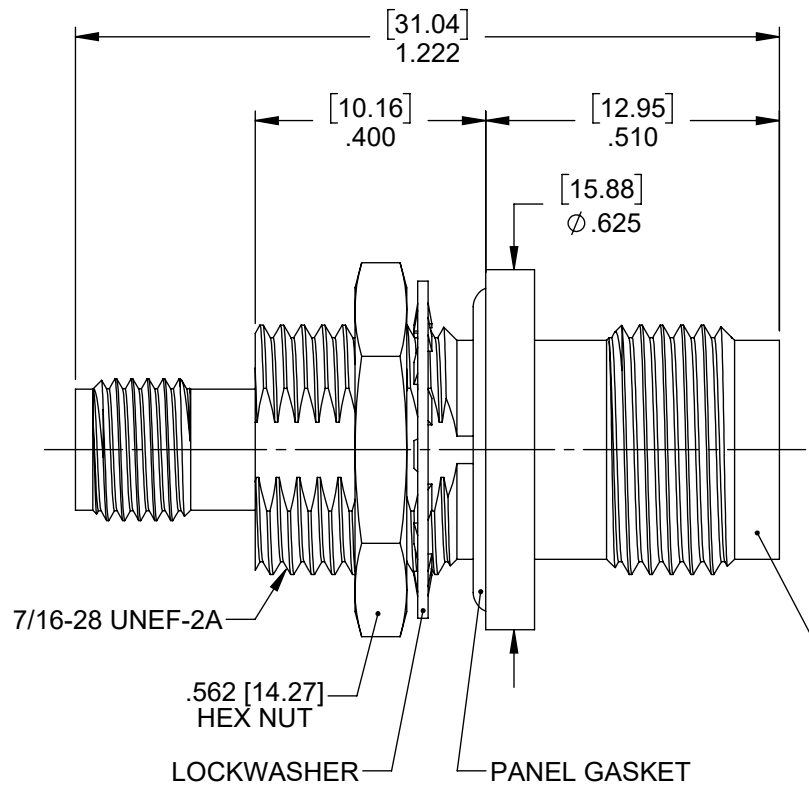
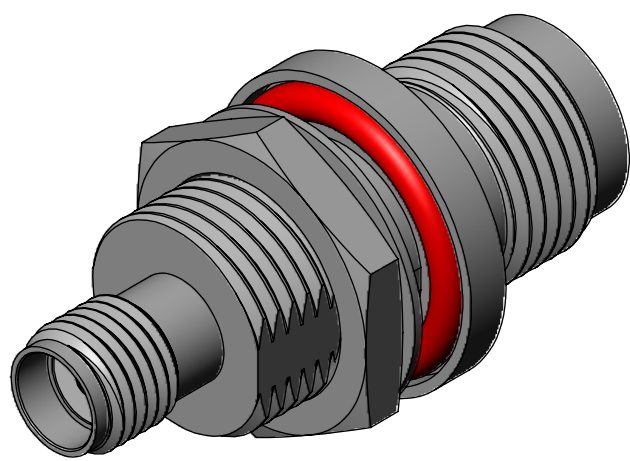
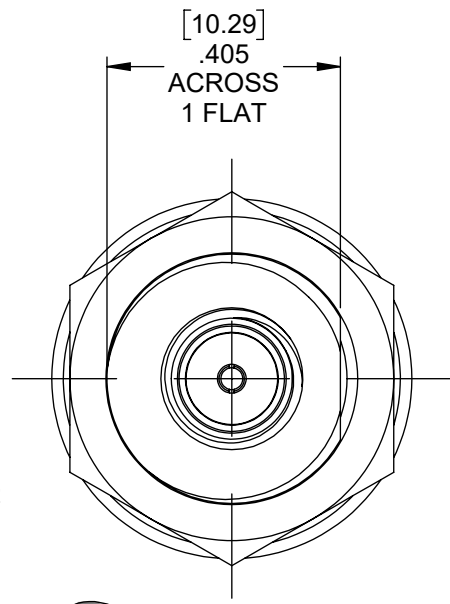
- 1.1 BODY: STAINLESS STEEL, PASSIVATED
- 1.2 CONTACT: BERYLLIUM COPPER, GOLD PLATE
- 1.3 INSULATOR: PTFE
- 1.4 O-RINGS: SILICONE RUBBER

2. ELECTRICAL SPECIFICATIONS:

- 2.1 IMPEDANCE: 50 OHMS NOMINAL
- 2.2 FREQUENCY RANGE: DC-11 GHZ
- 2.3 INSULATION RESISTANCE: 5,000 MEGOHMS

3. MECHANICAL SPECIFICATIONS:

- 3.1 CONNECTOR DURABILITY: 500 CYCLES MIN.
- 3.2 PANEL THICKNESS: .250 [6.4] MAX.
- 3.3 CONNECTOR MEETS: MIL-STD-348, MIL-PRF-39012



CONNECTOR WATERPROOF
TO 10M FOR 4 HOURS IN AN
UNMATED CONDITION PER IP68

<p>This PROPRIETARY Document is property of Cinch Connectivity Solutions. It is confidential in nature, non-transferable, and leased with the clear understanding that it is not traced or copied without permission and is returnable upon demand.</p> <p>INTERPRET DRAWING IN ACCORDANCE WITH ASME Y14.5-2009.</p>	Model No:	134-1001-461/470	JOHNSON	
	RoHS <input checked="" type="checkbox"/>	Cage Code	Title: TNC JACK TO SMA JACK BULKHEAD ADAPTER, IP68	
	(EU)2015/863 COMPLIANT	3RD ANGLE PROJECTION	Drawing No.	REV.
	UNLESS OTHERWISE SPECIFIED UNITS: INCH	Drawn by: TOMMY REN	134-1001-461/470	1
.XXX ± .008	Date: 12/03/2021	Size B	DO NOT SCALE DRAWING	Workmanship Std: NONE
.XXXX ± .004				Sheet 1 OF 1
ANGLES ± 5°				