

PART NUMBER	ITEM ① BODY	ITEM ② CONTACT	ITEM ③ INSULATOR
145-0701-241	BRASS GOLD PL .00001 MIN OVER NICKEL PL .00005 MIN OVER COPPER	BERYLLIUM COPPER GOLD PL .00005 MIN OVER NICKEL PL .00005 MIN OVER COPPER	TEFLON

REV	ECO	DATE
1	INITIAL RELEASE	27SEP2021

NOTES:

1. ELECTRICAL SPECIFICATIONS:

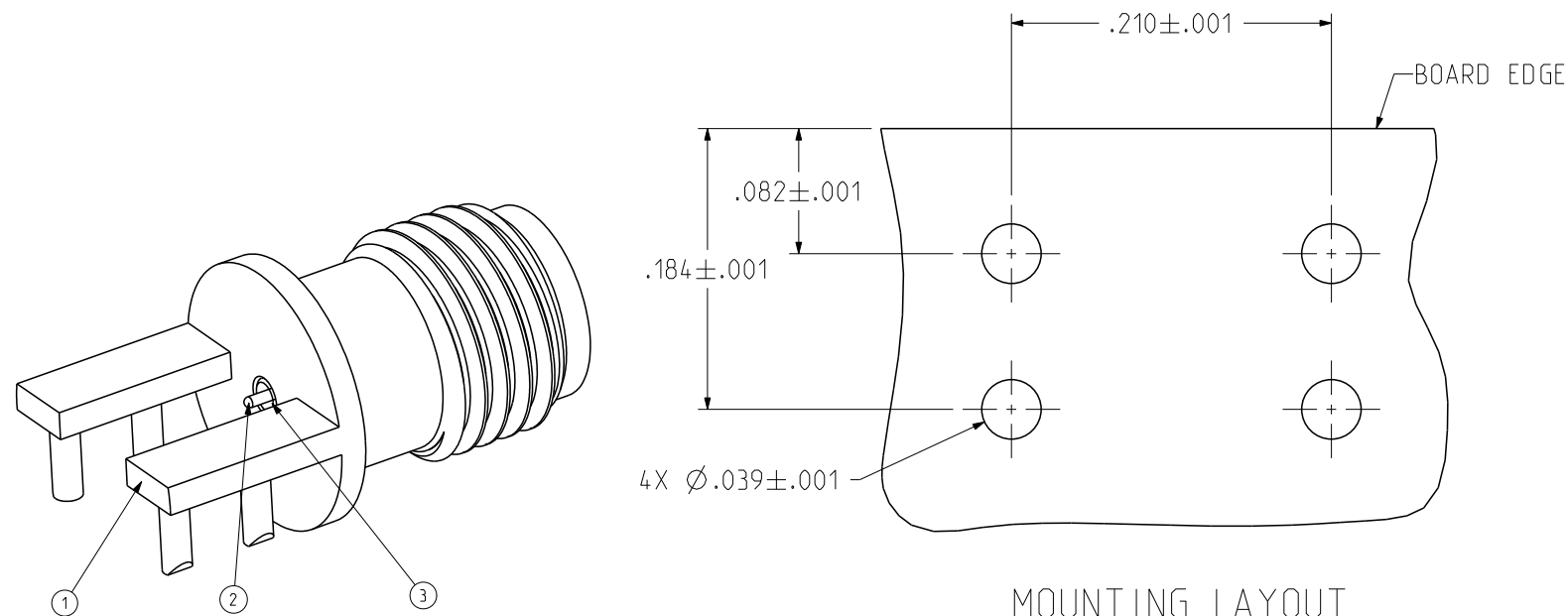
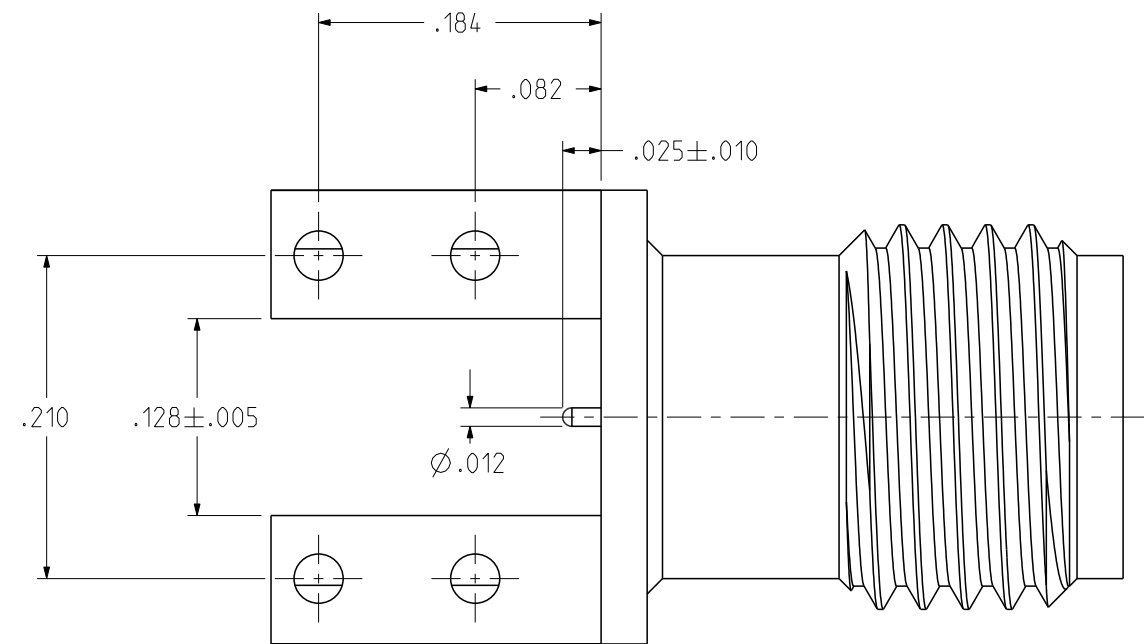
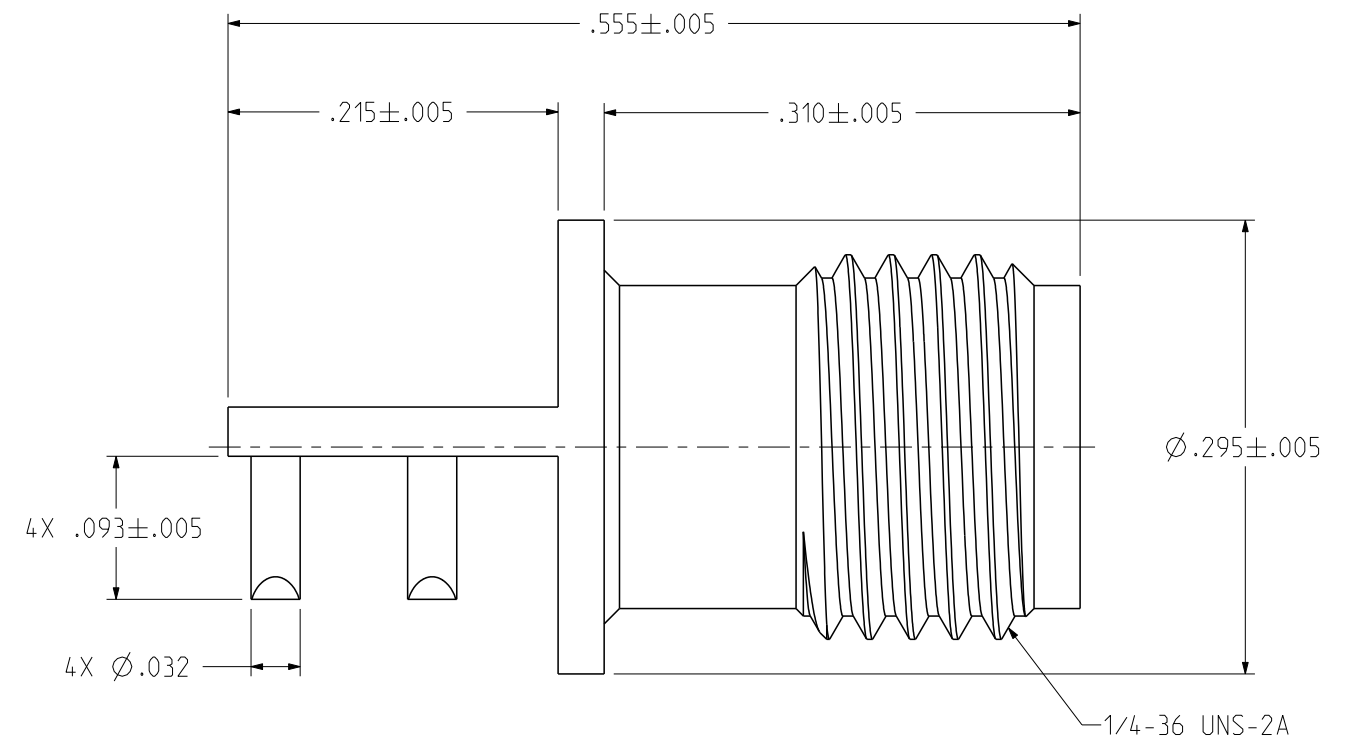
- 1.1 IMPEDANCE: 50 OHMS
- 1.2 FREQUENCY RANGE: 0-40 GHz
- 1.3 VSWR: 1.5 MAX
- 1.4 INSERTION LOSS: 0.05 SQRT(F) dB MAX (F IN GHz)
- 1.5 WORKING VOLTAGE: 250 VRMS MAX AT SEA LEVEL
- 1.6 DIELECTRIC WITHSTANDING VOLTAGE: 1000 VRMS MIN AT SEA LEVEL
- 1.7 INSULATION RESISTANCE: 5000 MEGOHM MIN
- 1.8 CONTACT RESISTANCE:
  - 1.8.1 CENTER CONTACT - INITIAL 3.0 MILLIOHM MAX, AFTER ENVIRONMENTAL NOT APPLICABLE
  - 1.8.2 OUTER CONDUCTOR - INITIAL 2.0 MILLIOHM MAX, AFTER ENVIRONMENTAL NOT APPLICABLE
- 1.9 RF LEAKAGE: -90dB TYPICAL AT 2.5 GHz

2. MECHANICAL SPECIFICATIONS:

- 2.1 ENGAGEMENT/DISENGAGEMENT FORCE: 2 IN LBS MAX
- 2.2 MATING TORQUE: 7 TO 10 INCH-POUNDS
- 2.3 DURABILITY: 500 CYCLES MIN

3. ENVIRONMENTAL:

- 3.1 THERMAL SHOCK: MIL-STD-202, METHOD 107, CONDITION B
- 3.2 OPERATING TEMPERATURE: -45 °C TO 85 °C
- 3.3 CORROSION: MIL-STD-202, METHOD 101, CONDITION B
- 3.4 SHOCK: MIL-STD-202, METHOD 213, CONDITION I
- 3.5 VIBRATION: MIL-STD-202, METHOD 204, CONDITION D
- 3.6 MOISTURE RESISTANCE: MIL-STD-202, METHOD 106



MOUNTING LAYOUT

	Model No: 145-0701-241/250	JOHNSON	
	RoHS <input checked="" type="checkbox"/> (EU)/2015/863 COMPLIANT UNLESS OTHERWISE SPECIFIED UNITS: INCH .XX ± .01 .XXX ± .003 .XXXX ± .0010 ANGLE ± 2°	Title: 2.92MM JACK, PCB END LAUNCH, THROUGH HOLE SOLDER LEGS, DIA .012" PIN Drawing No: 145-0701-241/250 Date: 09/27/2021	Size B DO NOT SCALE DRAWING Workmanship Std: NONE Sheet 1 OF 1