

DRAWING REVISIONS			
REV	DOCUMENT	APP	DATE
A	CCS		

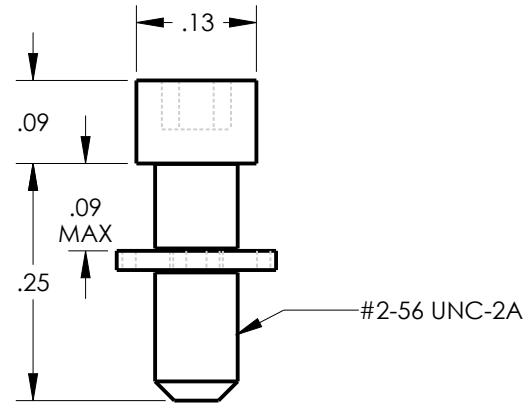


Figure 1

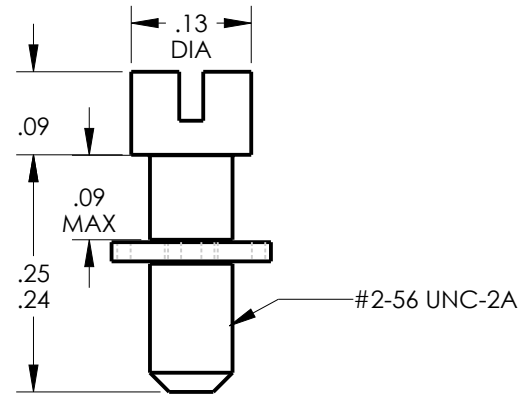


Figure 3

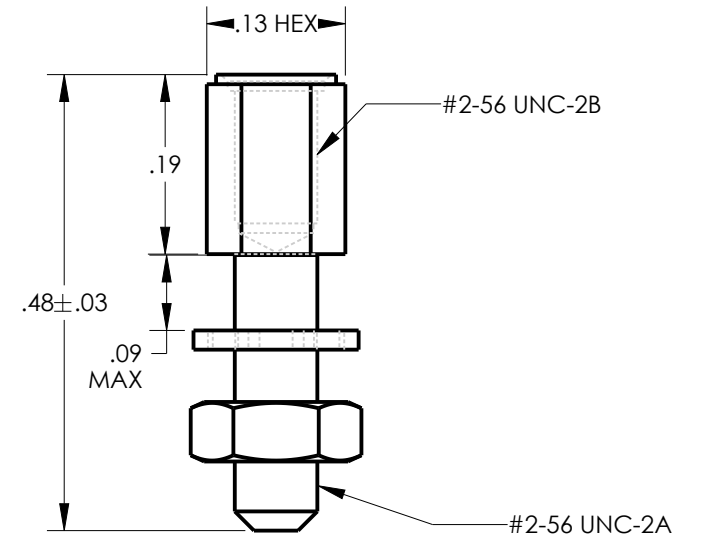


Figure 5

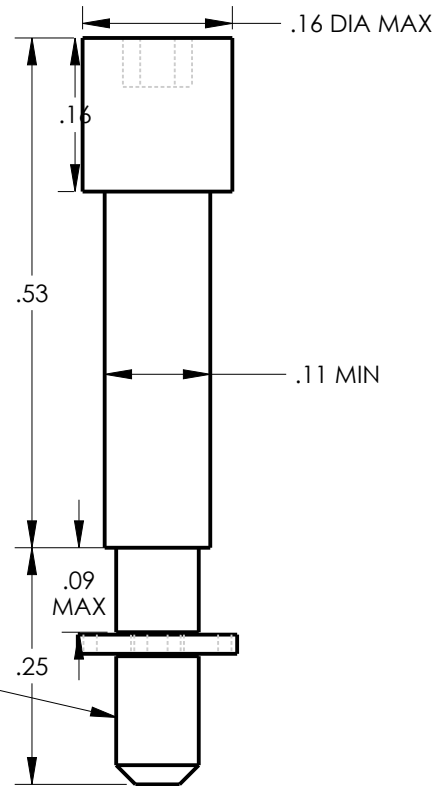


Figure 2

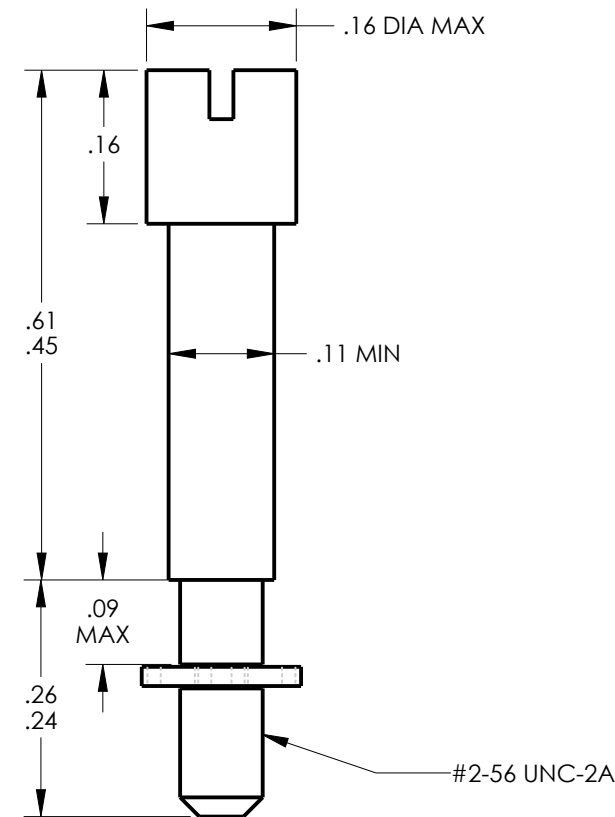


Figure 4

NOTES:
MATERIAL :
JACKSCREW: NONMAGNETIC CORROSION RESISTANT STEEL,
MINIMUM TENSILE STRENGTH OF 125,000PSI.
JACKPOST AND NUT: CORROSION RESISTANT STEEL
IN ACCORDANCE WITH ASTM A484/A484M AND
EITHER ASTM A276 OR ASTM A582/A582M,
PASSIVATED IIN ACCORDANCE WITH SAE-AMS2700
CLIP AND WASHERS: CORROSION RESISTANT STEEL
IN ACCORDANCE WITH ASTM A484/A484M,
PASSIVATED IIN ACCORDANCE WITH SAE-AMS2700.

ORDER INFORMATION

TYPE	STYLE	SCREWHEAD	THREAD	MILITARY PART NO.	Figure
JACKSCREW	LOW POST	RECESSED HEX	#2/56	M83513/05-02	1
JACKSCREW	HIGH POST	RECESSED HEX	#2/56	M83513/05-03	2
JACKSCREW	LOW POST	SLOTTED	#2/56	M83513/05-05	3
JACKSCREW	HIGH POST	SLOTTED	#2/56	M83513/05-06	4
JACKPOST	--	--	#2/56	M83513/05-07	5

UNITS		PRO/E		CINCH	
ENGLISH INCHES		DATE		TITLE	
DO NOT SCALE DRAWING		6/9/22		JACKPOST AND JACKSCREW SALES DRAWING	
UNLESS OTHERWISE SPECIFIED: ALL DIMENSIONS ARE IN INCHES		DRAWN BY		MATERIAL	
Fillet/Radii .02 MAX		J. WARRAICH		CONTROL SPEC NUMBER	
TOLERANCES .X ± .1 .XX ± .01 .XXX ± .005 ANGULAR ± .5°		DESIGN ENGINEER		MATERIAL SPEC NUMBER	
THIS DOCUMENT IS THE PROPERTY OF CINCH. NEITHER THIS DOCUMENT NOR ANY OF THE INFORMATION CONTAINED IN IT MAY BE DUPLICATED OR DISCLOSED WITHOUT PRIOR WRITTEN CONSENT OF CINCH.		DESIGN ENGINEERING MGR.		FINISH	
		MFG. ENGINEERING		PROJECT NUMBER	
		QUALITY ASSURANCE		CAD FILE NUMBER	
				M83513-05	
				DRAWING NUMBER	
				M83513-05	
				CAGE IDENT NO.	
				71785	
				SIZE	
				B	
				SCALE	
				5:1	
				SHEET 1 OF 2	

MODELED BY:
NAME

1700 FINLEY RD
LOMBARD, IL. 60148

CONTROL SPEC NUMBER

PROJECT NUMBER

CAD FILE NUMBER

DRAWING NUMBER

SCALE

SHEET 1 OF 2

8

7

6

5

4

3

2

1

D

D

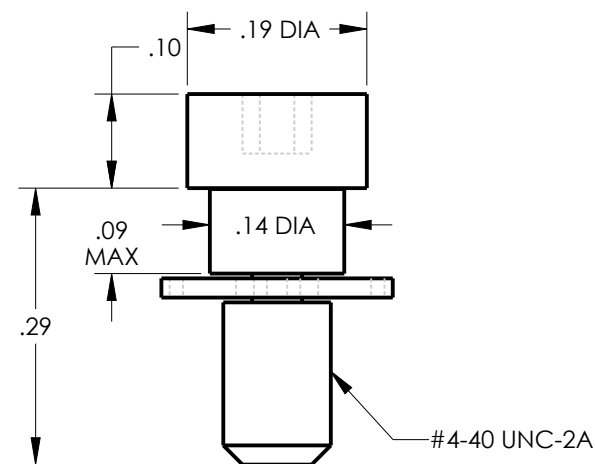


Figure 6

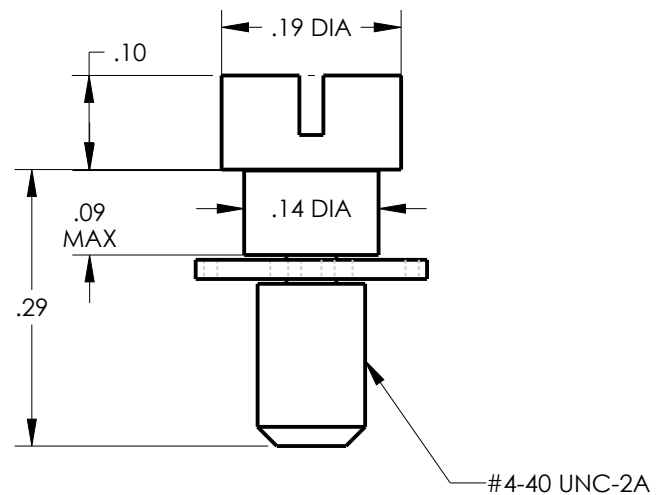


Figure 8

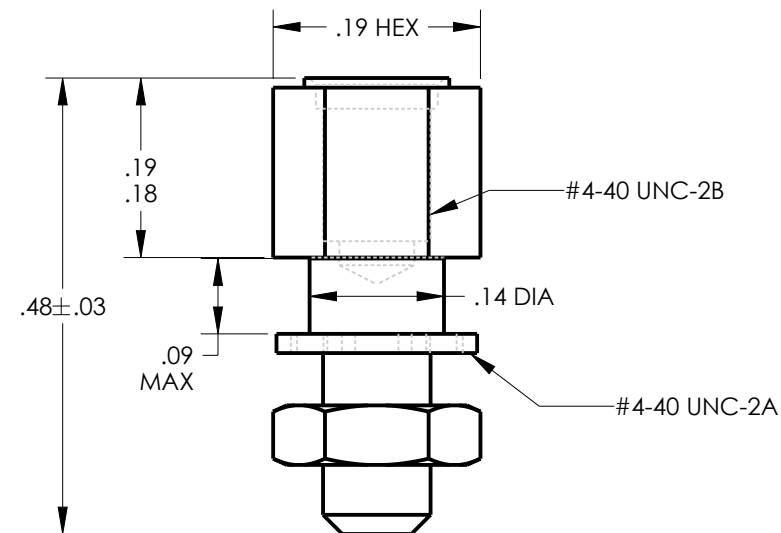


Figure 10

C

C

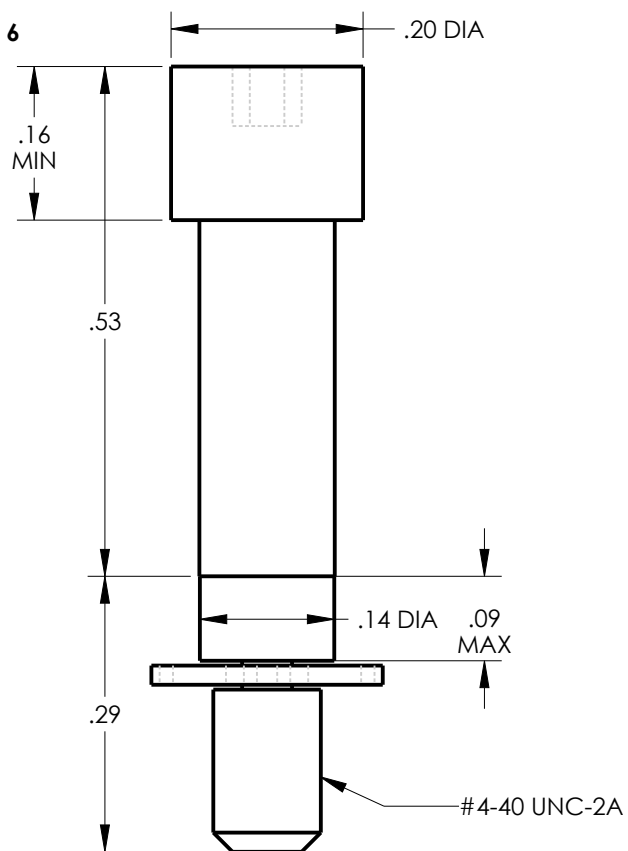


Figure 7

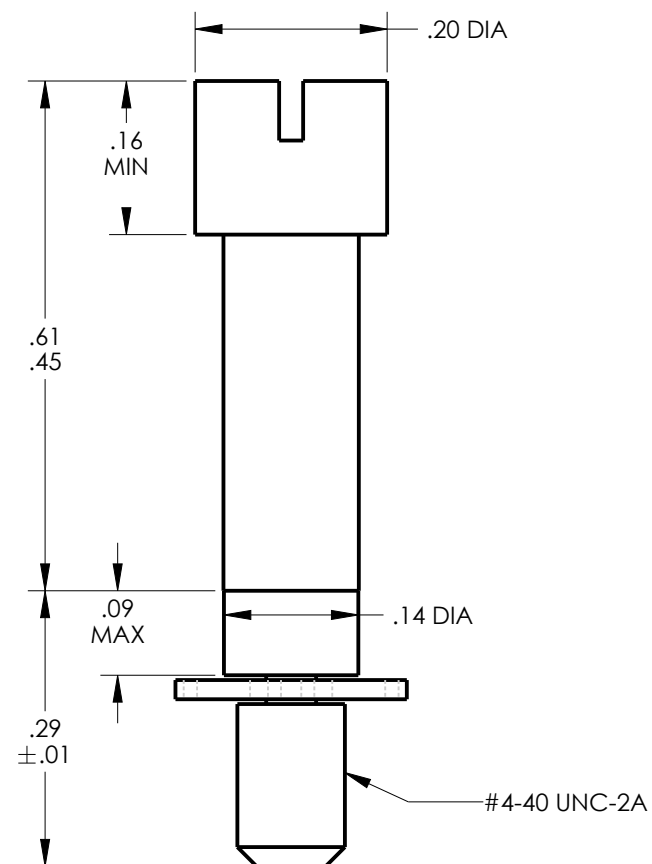


Figure 9

B

B

A

ORDER INFORMATION					
TYPE	STYLE	SCREWHEAD	THREAD	MILITARY PART NO.	Figure
JACKSCREW	LOW POST	HEX	#4/40*	M83513/05-12	6
JACKSCREW	HIGH POST	HEX	#4/40*	M83513/05-13	7
JACKSCREW	LOW POST	SLOTTED	#4/40*	M83513/05-15	8
JACKSCREW	HIGH POST	SLOTTED	#4/40*	M83513/05-16	9
JACKPOST	--	--	#4/40*	M83513/05-17	10

UNITS ENGLISH INCHES		CINCH		1700 FINLEY RD LOMBARD, IL. 60148	
DO NOT SCALE DRAWING		TITLE JACKPOST AND JACKSCREW SALES DRAWING			
UNLESS OTHERWISE SPECIFIED: ALL DIMENSIONS ARE IN INCHES		PRO/E DRAWING			
Fillet/Radii .02 MAX		TOLERANCES .X ± .1 .XX ± .01 .XXX ± .005 ANGULAR ± .5°		CAD FILE NUMBER M83513-05	
THIS DOCUMENT IS THE PROPERTY OF CINCH. NEITHER THIS DOCUMENT NOR ANY OF THE INFORMATION CONTAINED IN IT MAY BE DUPLICATED OR DISCLOSED WITHOUT PRIOR WRITTEN CONSENT OF CINCH.		DRAWING NUMBER M83513-05		REV A	
CAGE IDENT NO. 71785		SIZE B		SCALE 5:1	
				SHEET 2 OF 2	

8

7

6

5

4

3

2

1