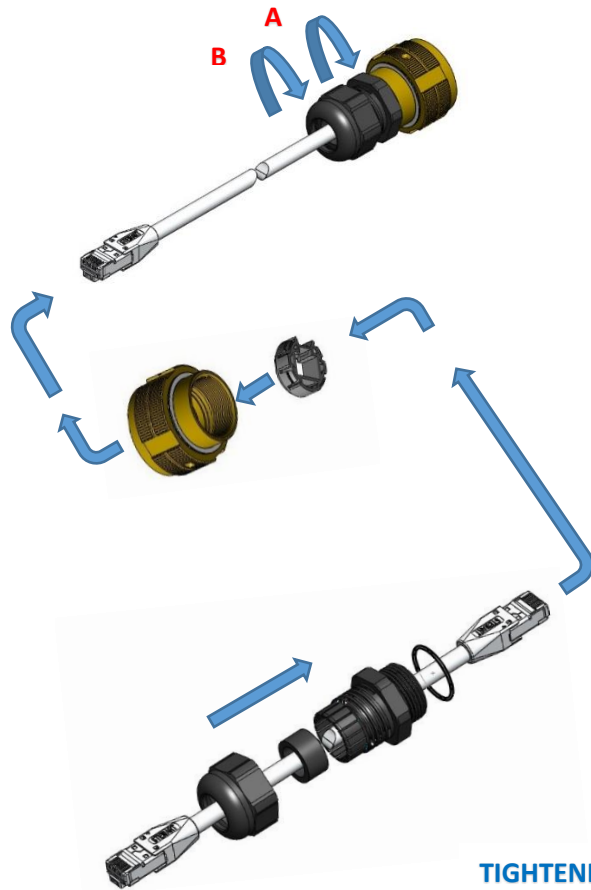
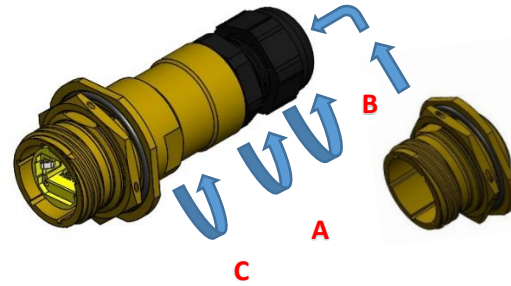


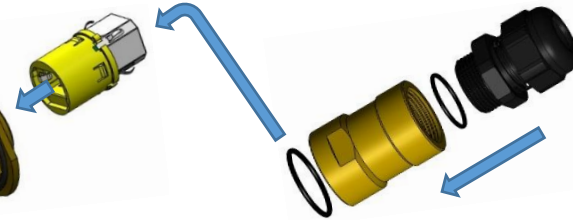
PLUG CONNECTOR



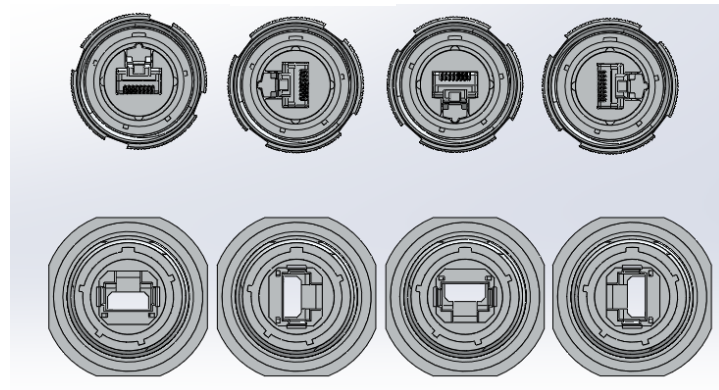
RJ-45 CONNECTOR



RECEPTACLE CONNECTOR



CODE A CODE B CODE C CODE D



POLARIZATION CODES

STANDARD PRODUCT IS KEYED TO CODE A.

USE INSERT REMOVAL TOOL 2940262-01

WHEN CHANGING POLARIZATIONS

TIGHTENING TORQUE (Nm)

		POLYMER	METAL
GLAND BODY	A	5.0	7.5
GLAND CAP NUT	B	3.3	5.0
BACK SHELL	C	N/A	4.5



www.stewartconnector.com

DOCUMENT NO: MN600002

REVISION: A1 DATE: 07/26/17