

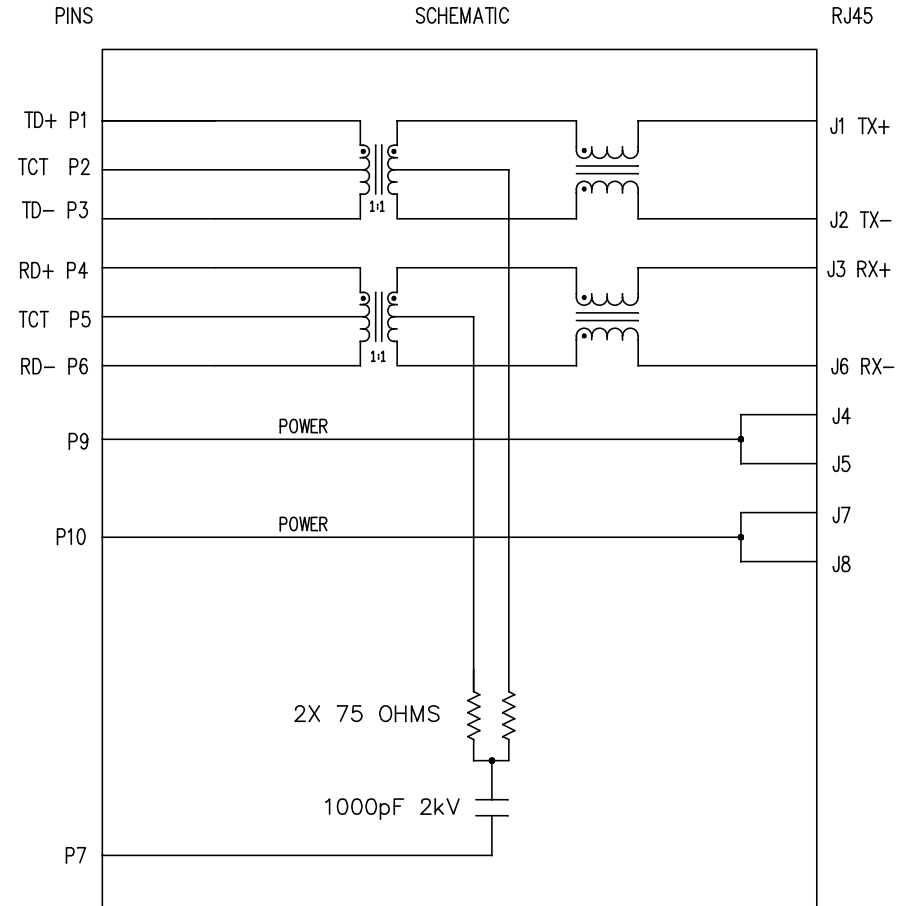
THE INFORMATION CONTAINED HEREIN IS CONSIDERED 'PROPRIETARY' TO BEL FUSE INC. AND SHALL NOT BE COPIED, REPRODUCED OR DISCLOSED WITHOUT THE WRITTEN APPROVAL OF BEL FUSE INC.

RoHS



ELECTRICAL CHARACTERISTICS @ 25°C

CURRENT CAPABILITY FOR POWER LINES:	400 mA MAX
1.0 INDUCTANCE:	
(P4-P6)	350uH MIN. @ 0.1V, 100KHz, 8mA DC BIAS
(P1-P3)	350uH MIN. @ 0.1V, 100KHz, 8mA DC BIAS
2.0 TURNS RATIO:	
(P4-P5-P6):(J3-J6)	1CT : 1CT ± 3%
(P1-P2-P3):(J1-J2)	1CT : 1CT ± 3%
3.0 LEAKAGE INDUCTANCE:	
P4-P6 (WITH J3 AND J6 SHORT)	0.3 uH MAX. @ 1MHz
P1-P3 (WITH J1 AND J2 SHORT)	0.3 uH MAX. @ 1MHz
4.0 INTERWINDING CAPACITANCE:	
(P4,P5,P6) TO (J3,J6)	30pF MAX. @ 1 MHz
(P1,P2,P3) TO (J1,J2)	30pF MAX. @ 1 MHz
5.0 DC RESISTANCE:	
(J3-J6)=(J1-J2)	1.2 OHMS MAX.
6.0 RETURN LOSS: (P4-P6)=100 OHMS AND (P1-P3)=100 OHM REF.	
1MHz TO 30MHz	-18dB MIN.
60MHz TO 80MHz	-12dB MIN.
NOTE: 100 OHMS CONNECTED TO (J1-J2) OR (J3-J6).	
7.0 DIELECTRIC WITHSTAND:	
(J1, J2) TO (P1, P3)	1500 VAC
(J3, J6) TO (P4,P6)	1500 VAC
8.0 INSERTION LOSS: RS=RL=100 ohms	
100KHz TO 100MHz	-1.1 dB
9.0 RISE TIME: RS=100 OHMS AND RL = 100 OHMS	
OUTPUT VOLTAGE = 1 V peak	3.0 nS MAX
PULSE WIDTH= 112nS	3.0 nS MAX
10.0 CROSS TALK:	
1MHz TO 100MHz	-40 dB TYP
11.0 COMMON TO COMMON MODE ATTENUATION:	
30MHz TO 100MHz	-35dB TYP

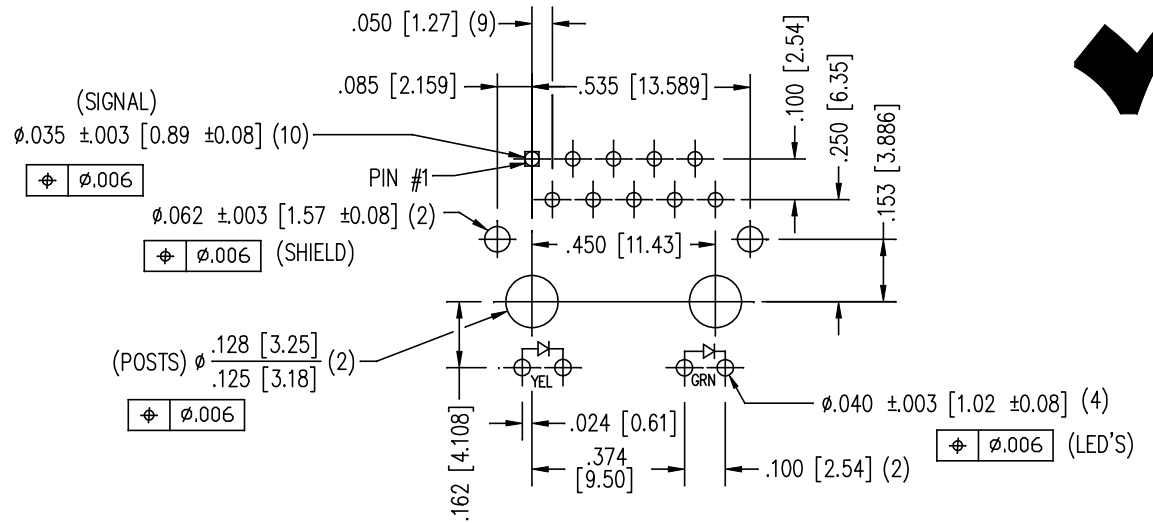
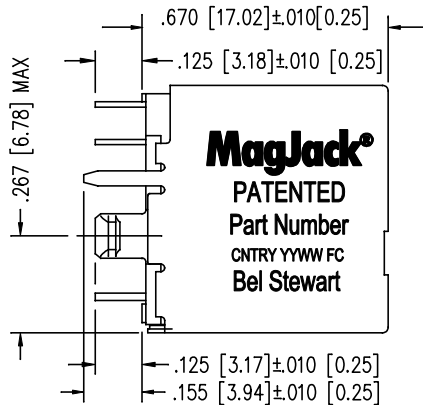


NOTES
1.0 PINS WITHOUT ELECTRICAL CONNECTION ARE OMITTED

RIGINATED BY ain Liu	DATE 2013-01-09	TITLE MagJack® 10/100BT VERTICAL, SHIELDED PATENTED	PART NO. / DRAWING NO. SI-46004-F	STANDARD DIM. TOL. IN INCH	[] METRIC DIM. AS REFERENCE		bel COMPONENTS FOR A CONNECTED PLANET
	RAWN BY uan Jun		DATE 2013-01-09	FILE NAME SI-46004-F.DWG	.X .XX .XXX	UNIT : INCH [mm] SCALE : N/A	
				±0.005			

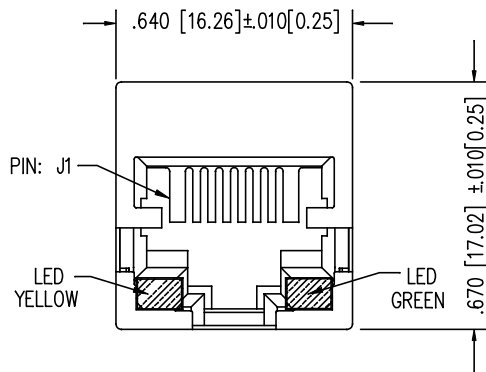
THE INFORMATION CONTAINED HEREIN IS CONSIDERED "PROPRIETARY" TO BEL FUSE INC. AND SHALL NOT BE COPIED, REPRODUCED OR DISCLOSED WITHOUT THE WRITTEN APPROVAL OF BEL FUSE INC.

RoHS

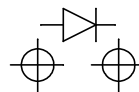


P.C.B. RECOMMENDED HOLE LAYOUT
SEEN FROM COMPONENT SIDE

ALL CENTERLINE DIMENSIONS ARE BASIC.



LED POLARITY
(ENLARGED VIEW)



SINGLE COLOR LED

NOTES:

- CONNECTOR MATERIALS:
HOUSING: THERMOPLASTIC UL94 V-0
CONTACT/SHIELD: COPPER ALLOY
SHIELD PLATING: NICKEL OR TIN
CONTACT PLATING: 50 MICRO-INCH SELECTIVE HARD GOLD PLATING OR EQUIVALENT IN CONTACT AREA
- PIN NOT ELECTRICALLY CONNECTED MAYBE OMITTED. SEE ELECTRICAL DRAWING FOR OMITTED PINS.
- TOLERANCES COMPLY WITH F.C.C. DIMENSION REQUIREMENTS.
- ALL TOLERANCES NOT OTHERWISE SPECIFIED TO BE ±.005 [0.13]
- WAVE SOLDER COMPATIBLE – PREHEAT 125°C/90SECS.

LED SPECIFICATION			
STANDARD LED	WAVELENGTH	FORWARD V (MAX)	*(TYP)
GREEN	565 nm	2.5 V	2.2 V
YELLOW	590 nm	2.5 V	2.1 V

*WITH A FORWARD CURRENT OF 20 mA (TYP)

DESIGNED BY Gavin Liu	DATE 2013-01-09	TITLE MagJack® 10/100BT VERTICAL, SHIELDED PATENTED	PART NO. / DRAWING NO. SI-46004-F	STANDARD DIM. TOL. IN INCH .X .XX .XXX ±0.005	[] METRIC DIM. AS REFERENCE		bel COMPONENTS FOR A CONNECTED PLANET
	RAWN BY Guan Jun				DATE 2013-01-09	UNIT : INCH [mm]	
			FILE NAME SI-46004-F.DWG	SCALE : N/A		SIZE : A4	
				[Symbol]		PAGE : 3	

199185 REV C0

This document is electronically generated. This is a controlled copy if used internally

Please read our datasheet & drawing disclaimer [here](#).