

THE INFORMATION CONTAINED HEREIN IS CONSIDERED "PROPRIETARY" TO BEL FUSE INC. AND SHALL NOT BE COPIED, REPRODUCED OR DISCLOSED WITHOUT THE WRITTEN APPROVAL OF BEL FUSE INC.

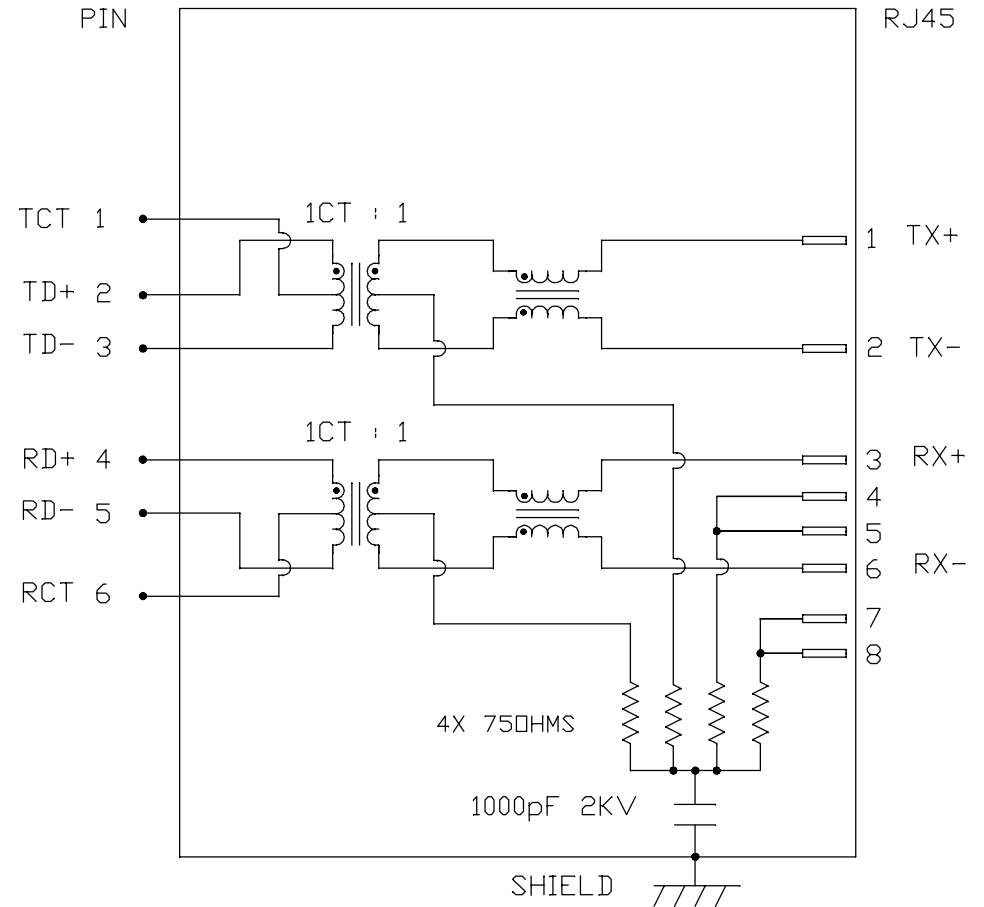
RoHS



ELECTRICAL CHARACTERISTICS @ 25°C

<p> <b>URNS RATIO</b>                  TX 1CT : 1                  RX 1CT : 1  <b>QCL @ 100kHz/100mVRMS</b>                  8mA DC BIAS 350µH MIN.  <b>INS. LOSS</b>                  1MHz TO 100MHz -1.0 dB MAX  <b>RET. LOSS (MIN)</b>                  1MHz-30MHz -18 dB                  30MHz-60MHz <math>-18+20\text{LOG}(F/30\text{MHz})</math> dB                  60MHz-80MHz -12 dB  <b>CROSS TALK (TX - RX)</b>                  500kHz-1MHz -70 dB MIN                  10 MHz -50 dB MIN                  30 MHz -45 dB MIN                  50 MHz -40 dB MIN                  100 MHz -35 dB MIN  <b>CM TO CM REJ</b>                  100kHz-1MHz -70 dB MIN                  10 MHz -47 dB MIN                  30 MHz -42 dB MIN                  60 MHz -37 dB MIN                  100 MHz -30 dB MIN  <b>CM TO DM REJ</b>                  100kHz-1MHz -70 dB MIN                  10 MHz -60 dB MIN                  30 MHz -50 dB MIN                  60 MHz -45 dB MIN                  100 MHz -40 dB MIN  <b>HIPOT (Isolation Voltage):</b> 1500 Vrms or 2250VDC                  100% OF PRODUCTION TESTED TO COMPLY WITH IEEE 802.3 ISOLATION REQUIREMENTS.                  OPERATING TEMPERATURE: 0°C TO +70°C.             </p>	
--	--

SCHEMATIC



ORIGINATED BY CHOW WANCHUNG DATE 2017-03-10
DRAWN BY LI LINFENG DATE 2017-03-10

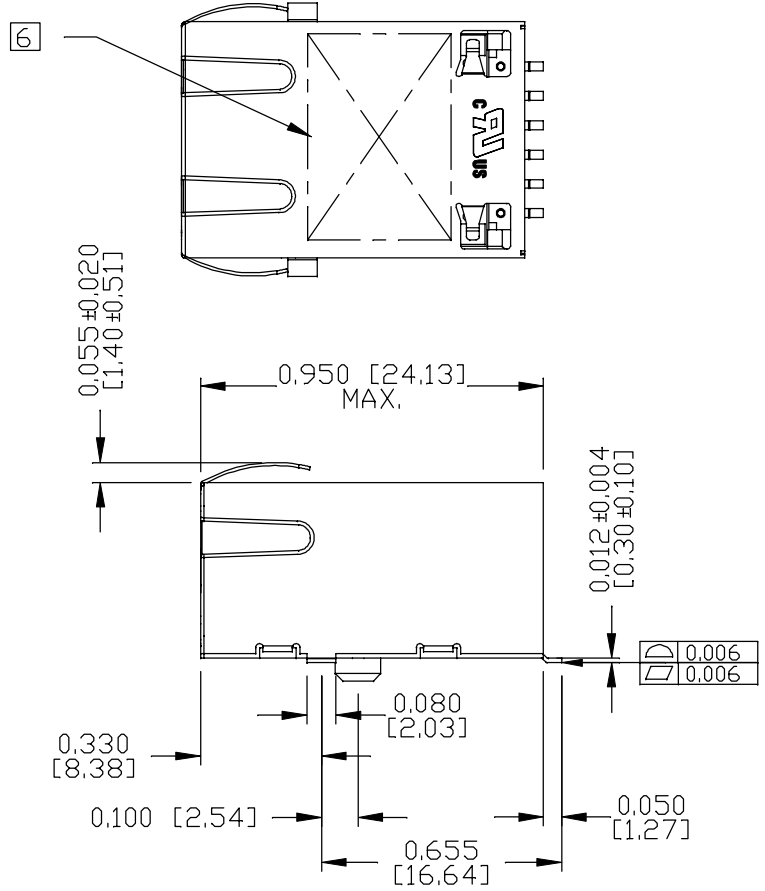
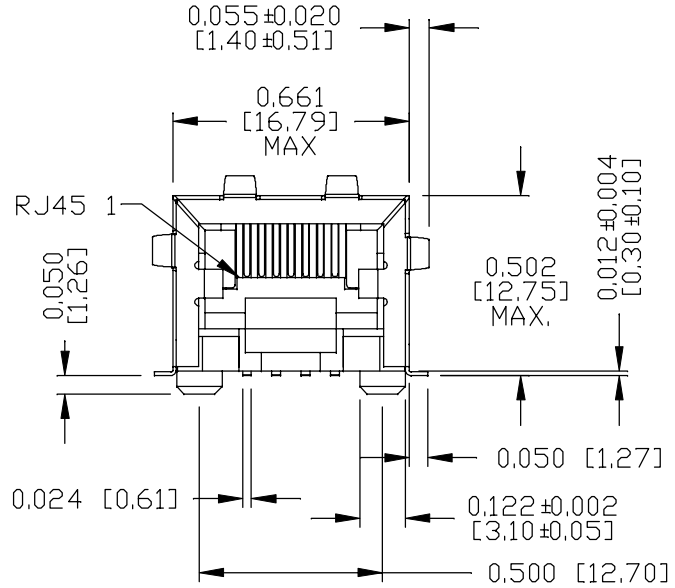
TITLE SMD MagJack® (< 4 Cores, MDIX, CM Termination) S811-1X1T-06-F
--

PART NO. / DRAWING NO. S811X1T06-F
FILE NAME S811X1T06-F_G.DWG

STANDARD DIM. TOL. IN INCH	[ ] METRIC DIM. AS REF.
.X	UNIT : INCH [mm]
.XX	SCALE : N/A
.XXX	SIZE : A4

REV. : G	PAGE : 2
<p>bel MAGNETIC SOLUTIONS a bel group</p>	

THE INFORMATION CONTAINED HEREIN IS CONSIDERED "PROPRIETARY" TO BEL FUSE INC. AND SHALL NOT BE COPIED, REPRODUCED OR DISCLOSED WITHOUT THE WRITTEN APPROVAL OF BEL FUSE INC.



NOTES:

1. PLASTIC HOUSING: THERMOPLASTIC PA & THERMOSET PHENOLIC. BLACK FLAMMABILITY RATING UL 94V-0
2. CONTACTS PLATING: 50 MICRO-INCH HARD GOLD PLATING OR EQUIVALENT.
3. PINS: TIN-COATED COPPER WIRE, 0.024 [0.6] X 0.012 [0.3] THK. 100 MICRO-INCH MIN MATTE TIN. PINS ARE SOLDER DIPPED.
4. METAL SHIELD: NICKEL PLATED COPPER ALLOY.
5. JACK CAVITY CONFORMS TO FCC RULES AND REGULATIONS.
6. MARK PART WITH MFG. LOGO, MFG. NAME, PART NUMBER AND DATE CODE.

7. THE PRODUCT IS RoHS COMPLIANT.
8. THE PART IS RECOMMENDED FOR WAVE SOLDERING. THE SUGGESTED PEAK WAVE SOLDERING CONDITION IS 260°C MAX AND 10 SECONDS MAX.

**c RL us** UL RECOGNIZED - FILE #E196366 AND E169987.

ORIGINATED BY SANDY LIN
DATE 2017-03-10
DRAWN BY XUE RIPING
DATE 2017-03-10

TITLE SMD MagJack® (4 Cores,MDIX,CM Termination)
FILE NAME S811-1X1T-06-F

PART NO. / DRAWING NO. S811X1T06-F
FILE NAME S811X1T06-F_G.DWG

STANDARD DIM. TOL. IN INCH	[ ] METRIC DIM. AS REF.
.X	UNIT : INCH [mm]
.XX	SCALE : N/A
.XXX ±0.010	SIZE : A4

REV. : G	PAGE : 3
----------	----------

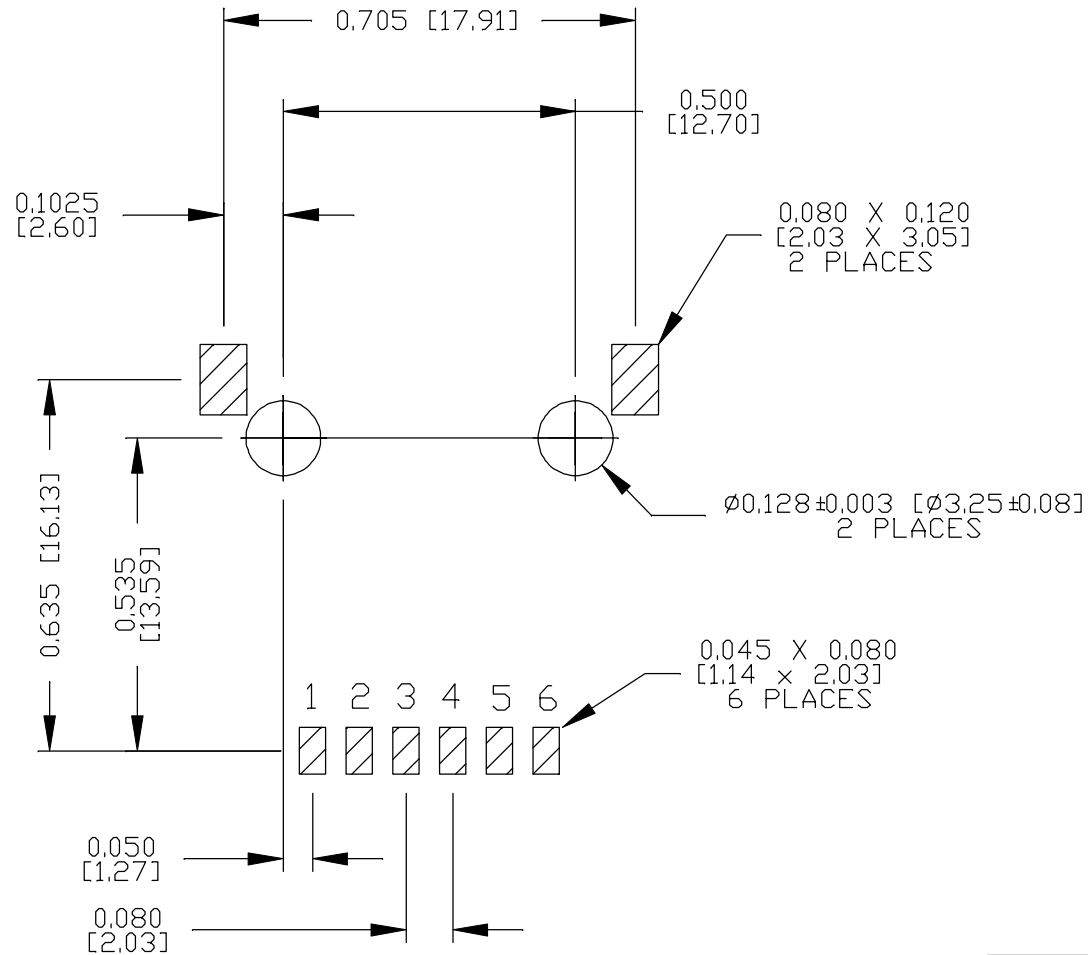


00002(2)120214

THE INFORMATION CONTAINED HEREIN IS CONSIDERED "PROPRIETARY" TO BEL FUSE INC. AND SHALL NOT BE COPIED, REPRODUCED OR DISCLOSED WITHOUT THE WRITTEN APPROVAL OF BEL FUSE INC.



RECOMMENDED PCB FOOTPRINT  
COMPONENT SIDE VIEW



ORIGINATED BY  
SANDY LIN  
DATE 2017-03-10  
DRAWN BY  
XUE RIPING  
DATE 2017-03-10

TITLE  
SMD MagJack ®  
(4 Cores, MDIX, CM Termination)  
S811-1X1T-06-F

PART NO. / DRAWING NO.  
S811X1T06-F  
FILE NAME  
S811X1T06-F\_G.DWG

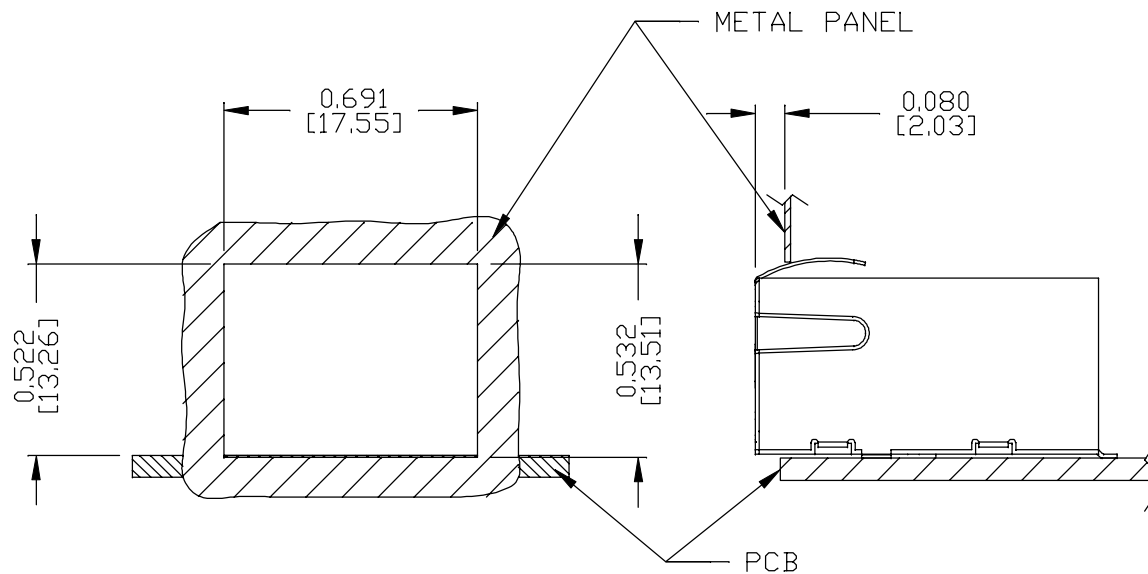
STANDARD DIM. TOL. IN INCH		[ ] METRIC DIM. AS REF.
.X		UNIT : INCH [mm]
.XX		SCALE : N/A
.XXX	±0.004	SIZE : A4

REV. : G	PAGE : 4
	

THE INFORMATION CONTAINED HEREIN IS CONSIDERED "PROPRIETARY" TO BEL FUSE INC. AND SHALL NOT BE COPIED, REPRODUCED OR DISCLOSED WITHOUT THE WRITTEN APPROVAL OF BEL FUSE INC.




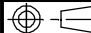
SUGGESTED PANEL OPENING



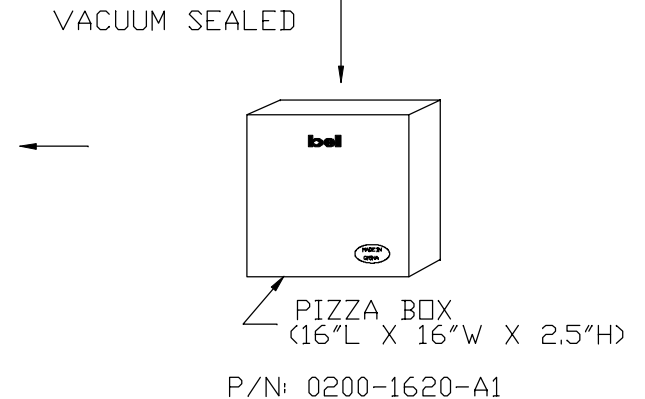
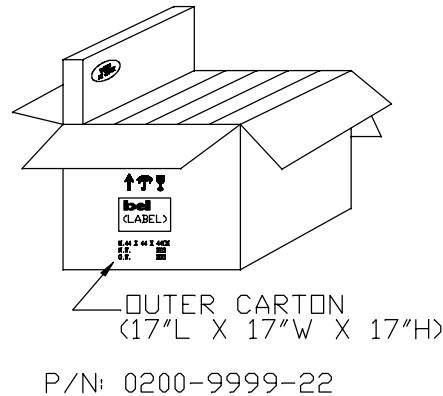
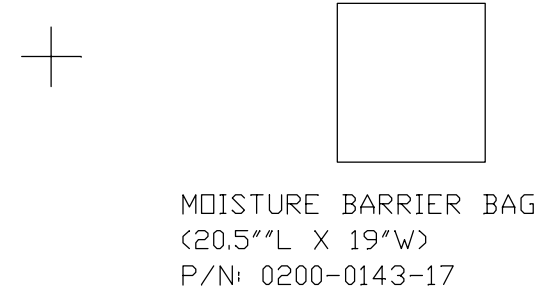
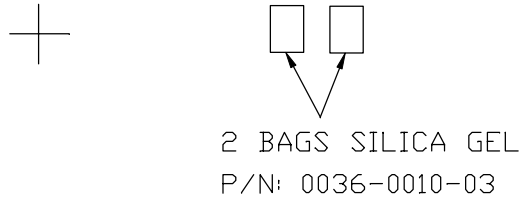
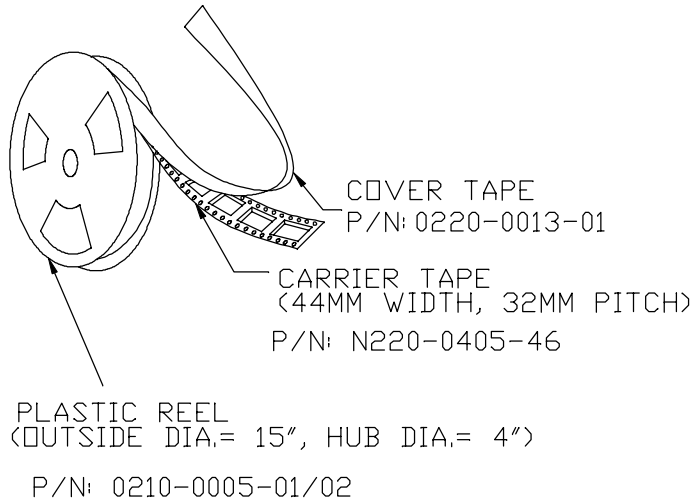
NOTES:

THE DISTANCE OF PANEL INSIDE SURFACE RELATIVE TO FRONT SURFACE OF PART IS ONLY A SUGGESTION. IN CASE THIS DISTANCE IS DIFFERENT, THE REQUIRED PANEL OPENING DIMENSIONS CHANGE ACCORDINGLY.

REV. : G PAGE : 5

ORIGINATED BY SANDY LIN DATE 2017-03-10	TITLE SMD MagJack® (4 Cores,MDIX,CM Termination) S811-1X1T-06-F	PART NO. / DRAWING NO. S8111X1T06-F	STANDARD DIM. [ ] METRIC DIM. TOL. IN INCH AS REF.	 a bel group
DRAWN BY XUE RIPING DATE 2017-03-10		FILE NAME S8111X1T06-F_G.DWG	.X UNIT : INCH [mm] .XX SCALE : N/A .XXX ±0.004	
 SIZE : A4				

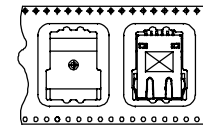
THE INFORMATION CONTAINED HEREIN IS CONSIDERED "PROPRIETARY" TO BEL FUSE INC. AND SHALL NOT BE COPIED, REPRODUCED OR DISCLOSED WITHOUT THE WRITTEN APPROVAL OF BEL FUSE INC.



NOTES:

- 1) LEAVES 48 INCHES COVER TAPE AND 5 EMPTY POCKETS AT TRAILER.
- 2) LEAVES 24 INCHES COVER TAPE AND 13 EMPTY POCKETS AT LEADER.
- 3) PACK 175 PCS PER REEL.
- 4) EACH BAGS SHOULD HAVE TWO BAGS SILICA GEL INSIDE MOISTURE BARRIER BAG. & VACUUM SEALED
- 5) EACH PIZZA BOX CONTAINS ONE (1) MOISTURE BARRIER BAG. ( 175 PCS FINISHED GOODS EACH PIZZA BOX ).
- 6) EACH OUTER CARTON CONTAINS SIX (6) PIZZA BOXES. ( 1050 PCS FINISHED GOODS EACH OUTER CARTON ).

USER FEED DIRECTION →



PART ORIENTATION & FEEDING DIRECTION.

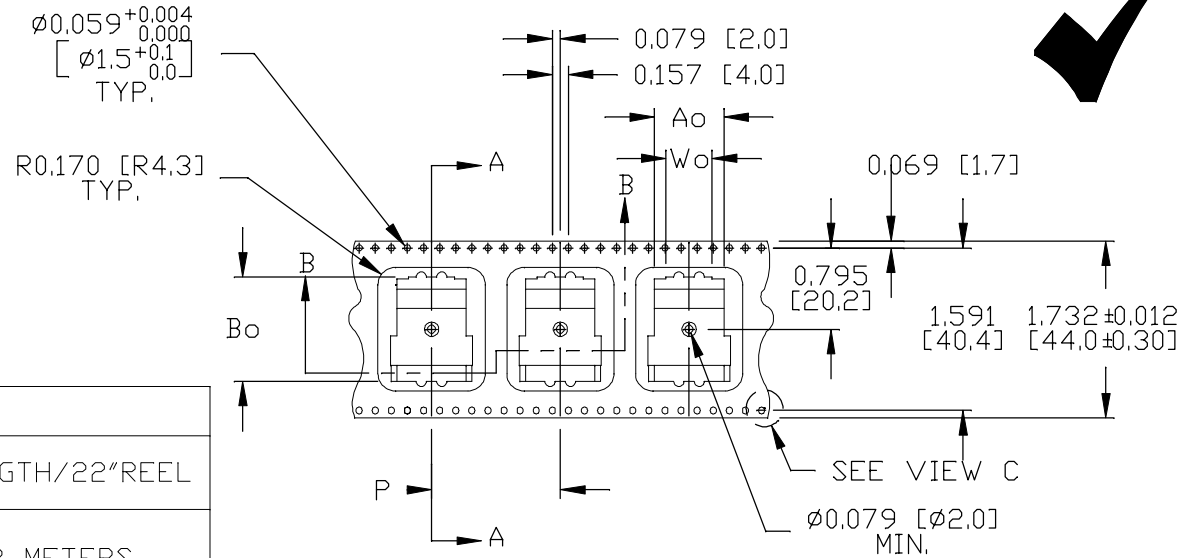
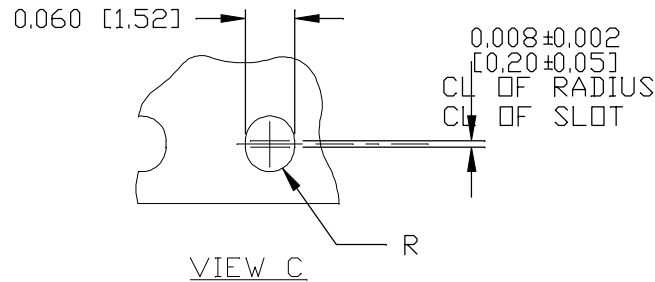
REV. :	G	PAGE :	6
--------	---	--------	---

ORIGINATED BY SANDY LIN DATE 2017-03-10	TITLE SMD MagJack® (4 Cores,MDIX,CM Termination)	PART NO. / DRAWING NO. S8111X1T06-F	STANDARD DIM. [ ] METRIC DIM.	
			TOL. IN INCH	AS REF.
DRAWN BY XUE RIPING DATE 2017-03-10	FILE NAME S8111X1T06-F_G.DWG	.X	UNIT : INCH [mm]	SCALE : N/A
		.XX		
		.XXX	SIZE : A4	



THE INFORMATION CONTAINED HEREIN IS CONSIDERED "PROPRIETARY" TO BEL FUSE INC. AND SHALL NOT BE COPIED, REPRODUCED OR DISCLOSED WITHOUT THE WRITTEN APPROVAL OF BEL FUSE INC.

RoHS

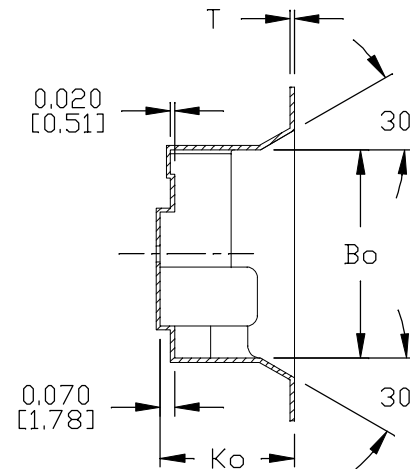


DIMENSION CHART

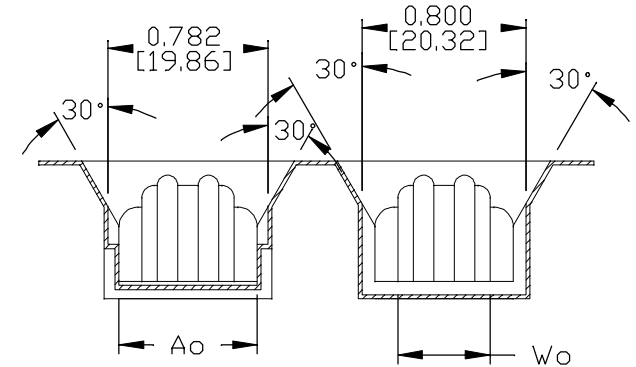
PART NUMBER	Ao	Bo	Ko	P	Wo	T	LENGTH/22" REEL
N220-0405-46	0,670 [17,02]	1,010 [25,65]	0,635 [16,13]	1,260 [32,00]	0,505 [12,83]	0,020 [0,50]	13 METERS

NOTES :

- ALL OTHER SPECIFICATIONS SHOULD MEET EIA 481-D STANDARD.



SECTION A-A



SECTION B-B

ORIGINATED BY  
SANDY LIN  
DATE 2017-03-10

DRAWN BY  
XUE RIPING  
DATE 2017-03-10

TITLE  
SMD MagJack®  
(4 Cores, MDIX, CM Termination)  
S811-1X1T-06-F

PART NO. / DRAWING NO.  
S8111X1T06-F

FILE NAME  
S8111X1T06-F\_G.DWG

STANDARD DIM. TOL. IN INCH

.X	/	UNIT : INCH [mm]
.XX		SCALE : N/A
.XXX		SIZE : A4

[ ] METRIC DIM. AS REF.

REV. : G PAGE : 7

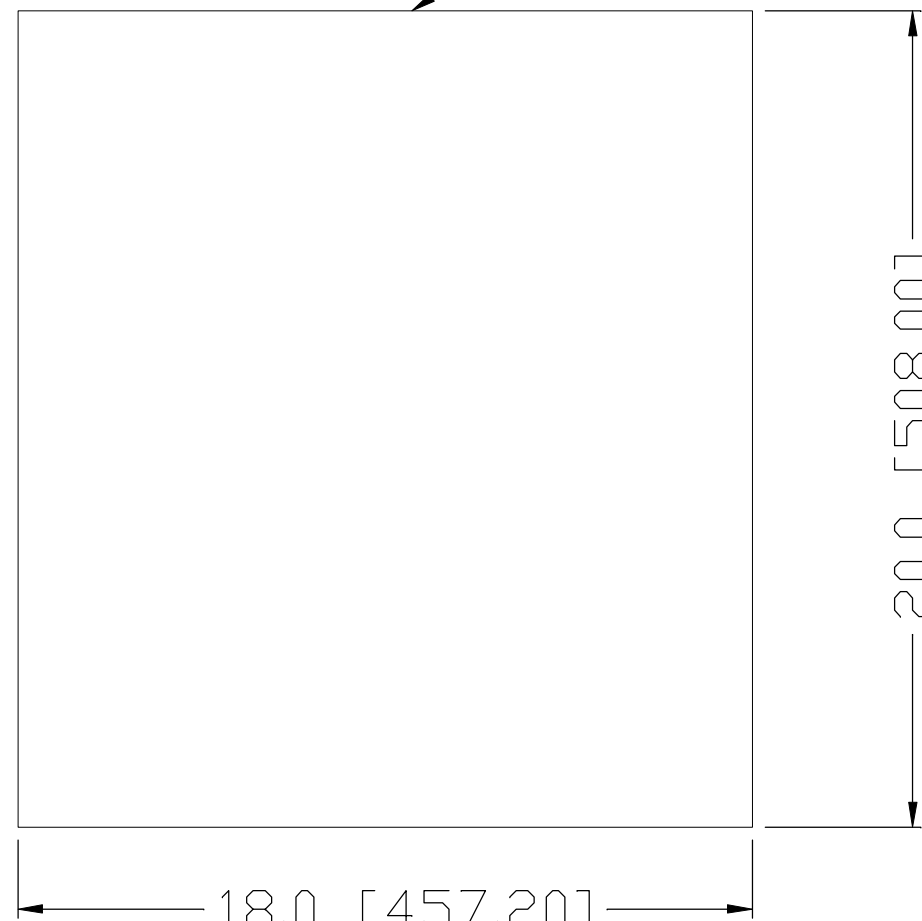


THE INFORMATION CONTAINED HEREIN IS CONSIDERED "PROPRIETARY" TO BEL FUSE INC. AND SHALL NOT BE COPIED, REPRODUCED OR DISCLOSED WITHOUT THE WRITTEN APPROVAL OF BEL FUSE INC.



MOISTURE BARRIER BAG

OPEN HERE



NOTES:

1. MATERIAL : BI-LAYER LALMINATED MATERIAL CONTAINS NYLON & POLYETHYLENE.
2. MATERIAL THICKNESS : 0.003±0.0008".
3. COLOR : TRANSPARENT.
4. ALL DIMENSIONS REFER TO INSIDE DIMENSIONS.
5. 3 SIDES SEALING WITH 0.30 MINIMUM SEALING WIDTH
6. PRODUCT SPECIFIED HEREIN AND IT'S PACKING MATERIAL SUPPLIED TO BELFUSE MUST MEET EU RoHS REQUIREMENT.

REV. : G PAGE : 8

<b>ORIGINATED BY</b> SANDY LIN <b>DATE</b> 2017-03-10		<b>TITLE</b> SMD MagJack® (4 Cores,MDIX,CM Termination)		<b>PART NO. / DRAWING NO.</b> S8111X1T06-F		<b>STANDARD DIM. TOL. IN INCH</b> .X ±0.1		<b>[ ] METRIC DIM. AS REF.</b> UNIT : INCH [mm]	
<b>DRAWN BY</b> XUE RIPING <b>DATE</b> 2017-03-10		<b>FILE NAME</b> S811-1X1T-06-F		S8111X1T06-F_G.DWG		SCALE : N/A		SIZE : A4	

