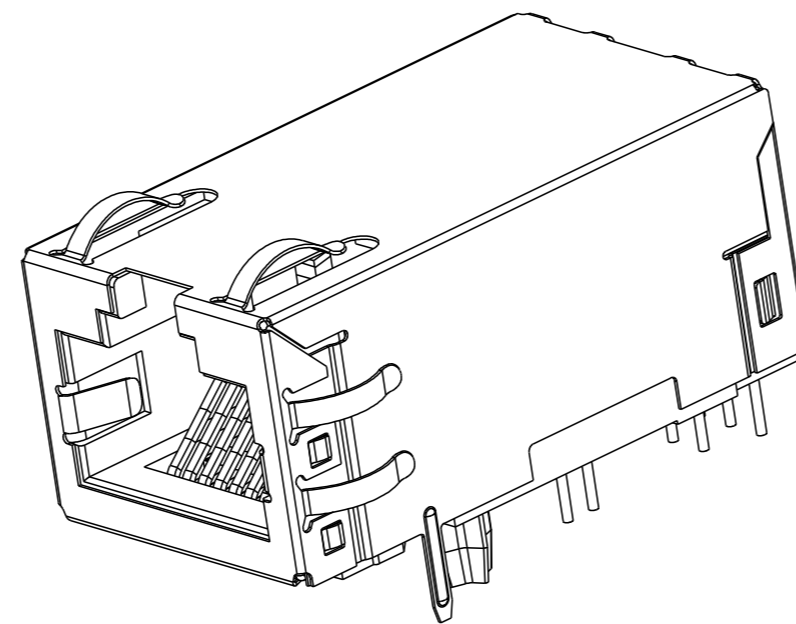
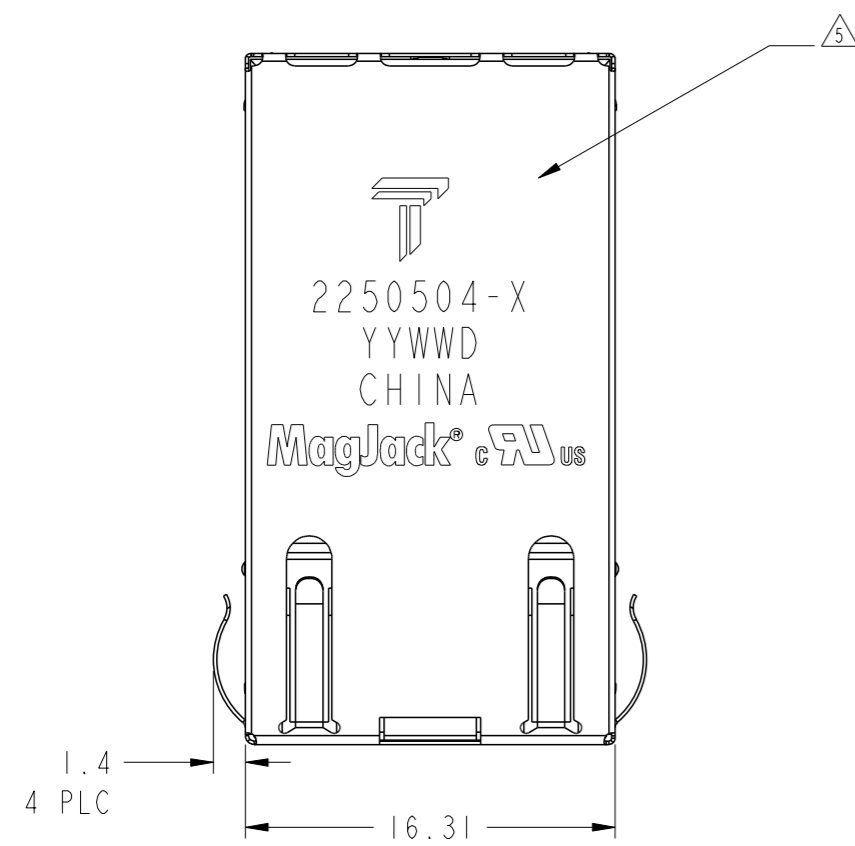


THIS DRAWING AND THE SUBJECT MATTER SHOWN THEREON ARE CONFIDENTIAL AND THE PROPERTY OF BEL/STEWART/TRP CONNECTOR AND SHALL NOT BE REPRODUCED, COPIED, OR USED IN ANY MANNER WITHOUT THE WRITTEN CONSENT OF TRP CONNECTOR.

PRODUCT MAY BE PROTECTED BY ONE OR MORE OF THE FOLLOWING US PATENTS:  
 5736910 5939955 6425781 6428361 6554638 6840817 7123117  
 7429195 7717749 7808751 6217391 6149050 7924130

REVISIONS				
P	LTR	DESCRIPTION	DATE	APVD
1		INITIAL RELEASE	17APR2017	TRY TYY



1. MATERIALS

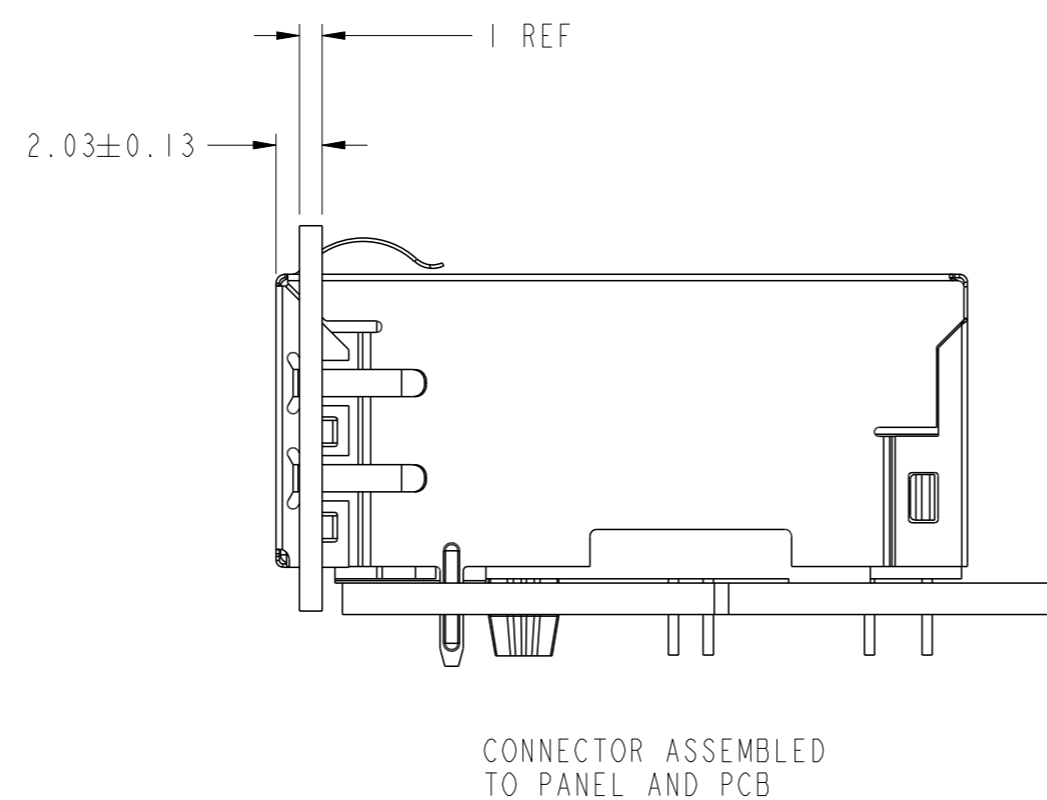
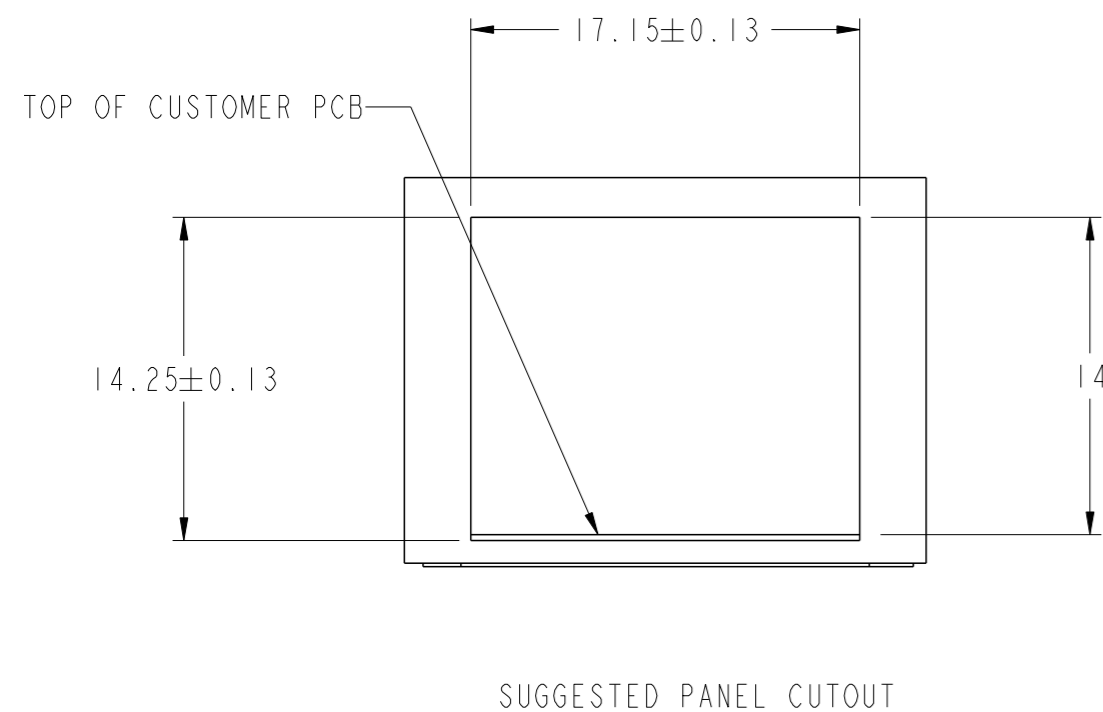
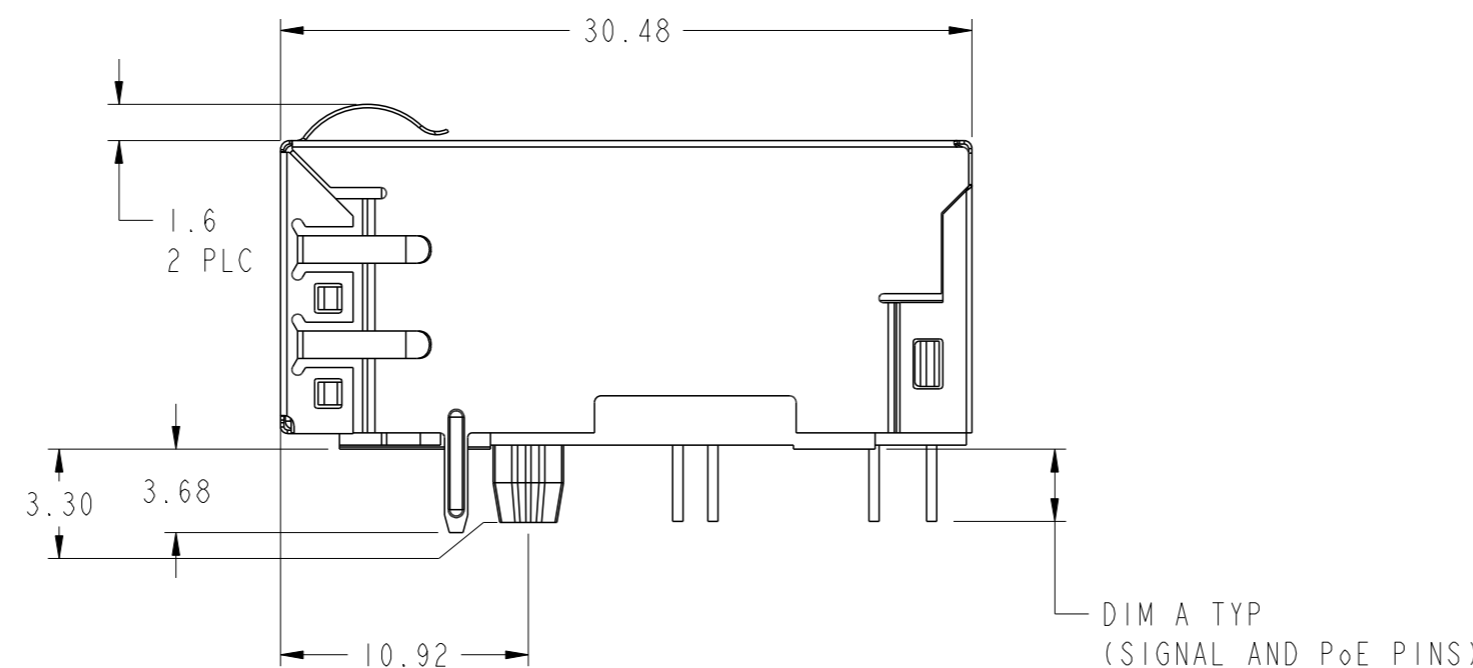
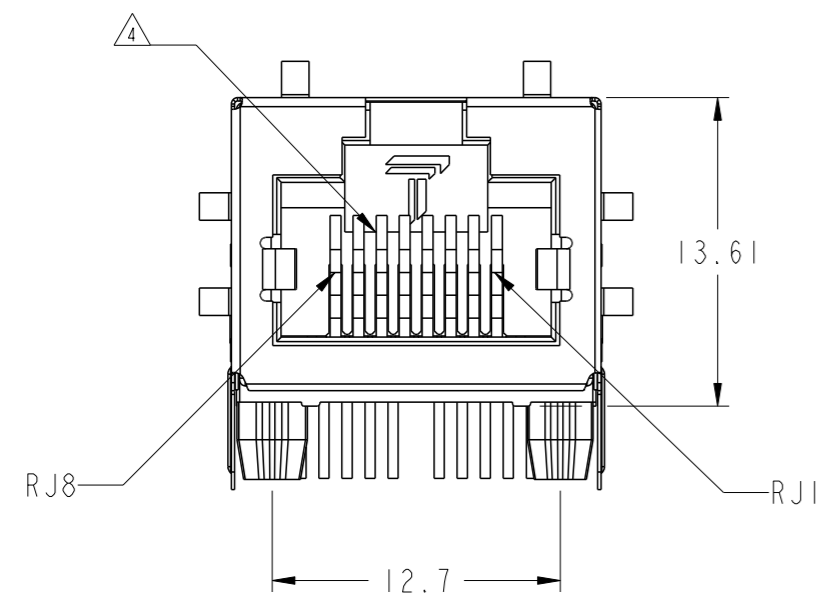
HOUSING: THERMOPLASTIC, BLACK, FLAMMABILITY RATING UL 94V-0  
 SHIELD: STAINLESS STEEL, 0.15mm THICK, PREPLATED WITH MIN 0.76μm SEMI-BRIGHT NICKEL POST DIPPED WITH 2.54μm MIN SAC SOLDER AT GROUND PINS.  
 CONTACT: PHOSPHOR BRONZE, 0.46mmX0.30mm WITH 1.27μm MIN OVERALL NICKEL UNDERPLATE AND SELECTIVE 1.27μm MIN GOLD PLATING AT MATING INTERFACE.  
 SOLDER TAIL(LED AND SIGNAL): Ø0.45mm COPPER PLATED STEEL, PLATED WITH 2.54μm MIN TIN.

2. MAGNETICS

-APPLICATION: 2.5G BASE-T 4PPoE EXTENDED TEMPERATURE  
 -IMPEDANCE: 100 OHMS  
 -TURNS RATIO (CHIP:CABLE): 1:1 ALL FOUR PAIRS  
 -OPEN CIRCUIT INDUCTANCE (OCL): ALL CHANNELS 180uH MIN @100kHz, 0.1VRMS, 8mA DC BIAS FROM -40°C TO 85°C, 120uH MIN @100kHz, 0.1VRMS, 23mA DC BIAS FROM -40°C TO 85°C, ALL FOUR PAIRS.  
 -ALL FOUR PAIRS BI-DIRECTIONAL  
 -PoE CURRENT: 900mADC MAX  
 -PERFORMANCE @ 25°C: PLEASE REFER TO SEPARATE SHEET  
 -ISOLATION VOLTAGE: 2250VDC FOR 60 SECONDS WITH A RISE TIME OF 500V/SEC.

3. OPERATING TEMPERATURE: -40°C TO 85°C

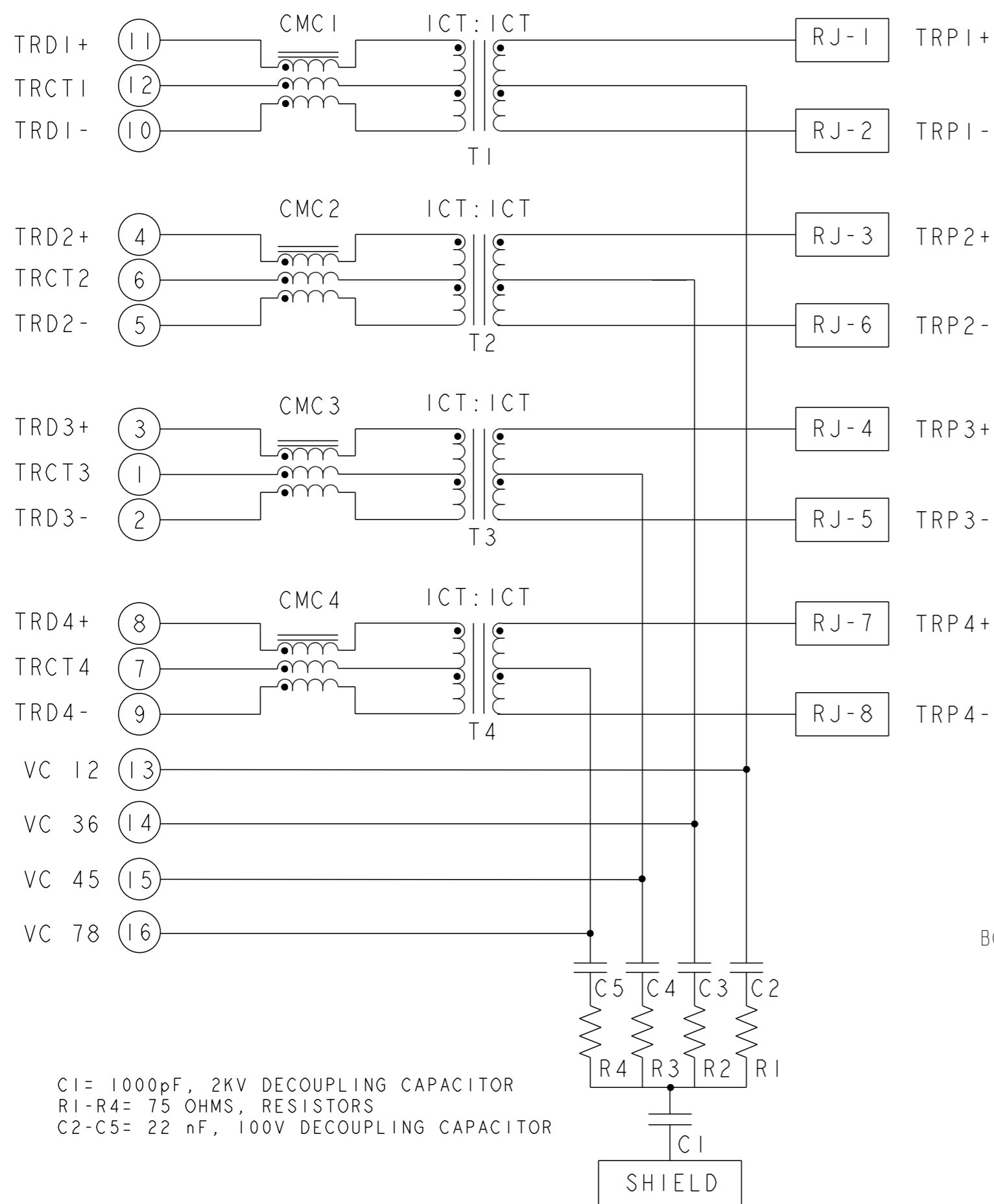
- △ RJ45 CAVITY CONFORMS TO FCC RULES AND REGULATION PART 68 SUBPART F.
- △ TRP CONNECTOR LOGO, PART NUMBER, DATE CODE, COUNTRY OF ORIGIN, AGENCY APPROVAL MARKING IN APPROPRIATE LOCATION SHOWN. DATE CODE: YYWW "YY" IS YEAR, "WW" IS WORK WEEK, "D" IS DAY OF WEEK, WITH SUNDAY=1.
- △ PART SHOULD BE RECOMMENDED FOR WAVE SOLDERING PROCESS, PEAK SOLDERING TEMPERATURE IS 260°C, 10 SECONDS MAX.



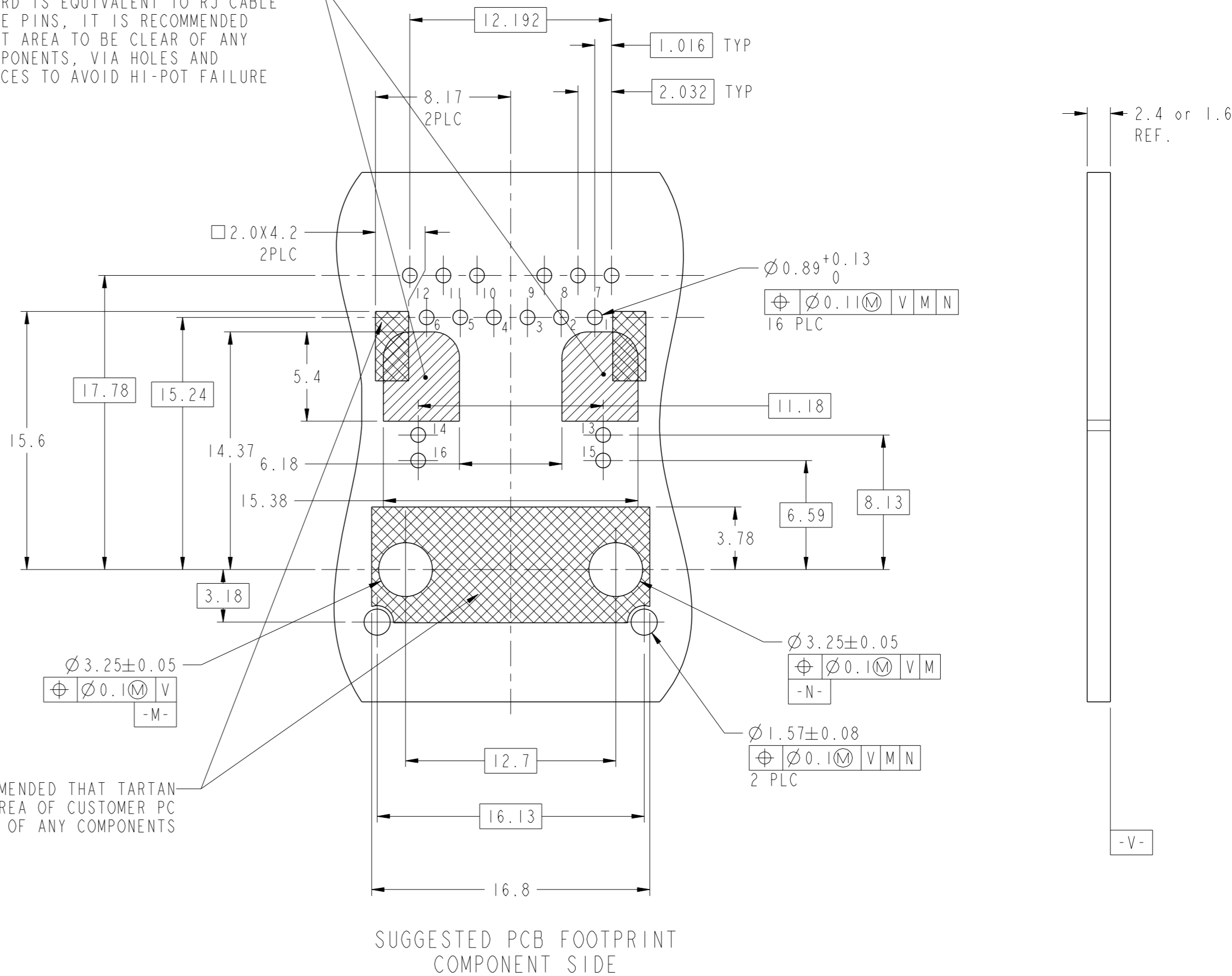
THIS DRAWING IS A CONTROLLED DOCUMENT, AND COMPLIANT TO ASME Y14.5M		DWN TOWER YU / XENIA WANG 17APR2017
DIMENSIONS: mm		CHK BILL LIU 17APR2017
TOLERANCES UNLESS OTHERWISE SPECIFIED:		APVD TONY YUAN 17APR2017
0 PLC ±		MODEL NAME
1 PLC ±0.25		MAGJACK
2 PLC ±0.25		SINGLE 4PPOE
3 PLC ±0.25		
4 PLC ±		
ANGLES ±		
APPLICATION SPEC		


TRAY	WAVE △	3.18	2250504-1
PACKAGE	SOLDER PROCESS	DIM A	PART NUMBER
		DONGGUAN CHINA	
DESC		IX1 7UQT01ET 2.5G 4PPoE 100W EXTENDED TEMP TAB UP, W/O LEDS	
SIZE	CAGE CODE	DRAWING NO	RESTRICTED TO
A2		C-2250504	-
CUSTOMER DRAWING		SCALE NTS	SHEET 1 OF 3 REV 1

# 7UQT01ET 2.5G 100W CIRCUIT



THE SHADED AREA OF CUSTOMER PC BOARD IS EQUIVALENT TO RJ CABLE SIDE PINS, IT IS RECOMMENDED THAT AREA TO BE CLEAR OF ANY COMPONENTS, VIA HOLES AND TRACES TO AVOID HI-POT FAILURE



THIS DRAWING IS A CONTROLLED DOCUMENT, AND COMPLIANT TO ASME Y14.5M		DWN TOWER YU / XENIA WANG 17APR2017		DONGGUAN CHINA	
DIMENSIONS: mm		CHK BILL LIU 17APR2017		DESC 1X1 7UQT01ET 2.5G 4PPoE 100W EXTENDED TEMP TAB UP, W/O LEDS	
TOLERANCES UNLESS OTHERWISE SPECIFIED:		APVD TONY YUAN 17APR2017	SIZE A2	CAGE CODE C-2250504	RESTRICTED TO -
0 PLC ± 1 PLC ±0.25 2 PLC ±0.25 3 PLC ±0.25 4 PLC ±		MODEL NAME MAGJACK SINGLE 4PPOE	SCALE NTS		
ANGLES ± APPLICATION SPEC		CUSTOMER DRAWING		SHEET 2	REV 1

2250504_C						STOCK DISPOSITION			
						A:CONTINUE AS IS B:REWORK C:SCRAP		D:USE OLD FIRST E:PARTS TO CONFORM F:OTHER	
REVISION HISTORY									
DATE	REV	CHANGE	REASON	APPROVAL	INVENTORY (A,B,C,D,E,F)	WORK IN PROCESS (A,B,C,D)	SUPPLIER ORDERS (A,E,F)	OPEN CUST ORDERS (A,E,F)	
17APR2017	I	-	INITIAL RELEASE	TONY YUAN	-	-	-	-	
					-	-	-	-	

THIS DRAWING IS A CONTROLLED DOCUMENT. AND COMPLIANT TO ASME Y14.5M		DWN TOWER YU / XENIA WANG 17APR2017	 <b>trp</b> CONNECTOR <small>a bel group</small>		DONGGUAN CHINA					
DIMENSIONS: mm		CHK BILL LIU 17APR2017			DESC 1X1 7UQT01ET 2.5G 4PPoE 100W EXTENDED TEMP TAB UP, W/O LEDS					
		APVD TONY YUAN 17APR2017	MODEL NAME MAGJACK SINGLE 4PPOE		SIZE A2	CAGE CODE C-2250504	DRAWING NO -	RESTRICTED TO -		
TOLERANCES UNLESS OTHERWISE SPECIFIED: 0 PLC ± 1 PLC ±0.25 2 PLC ±0.25 3 PLC ±0.25 4 PLC ± ANGLES ±		PRODUCT SPEC -		APPLICATION SPEC -		CUSTOMER DRAWING		SCALE NTS	SHEET 3 OF 3	REV 1