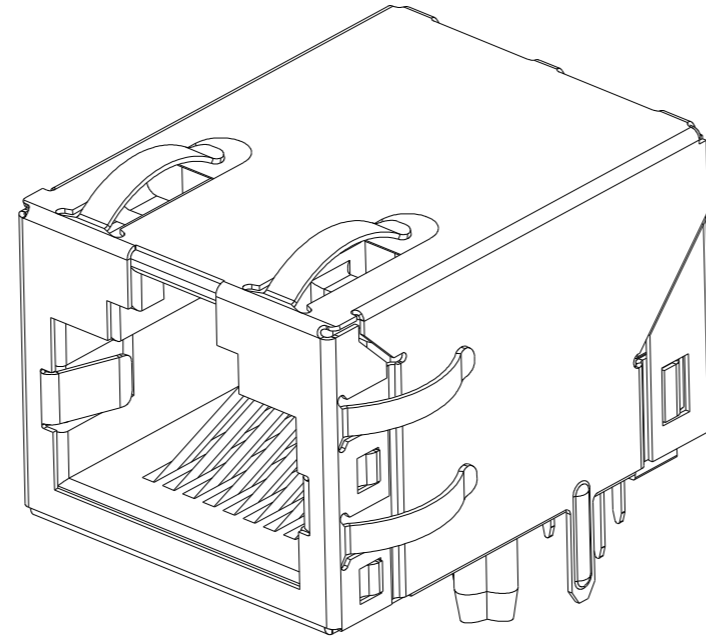
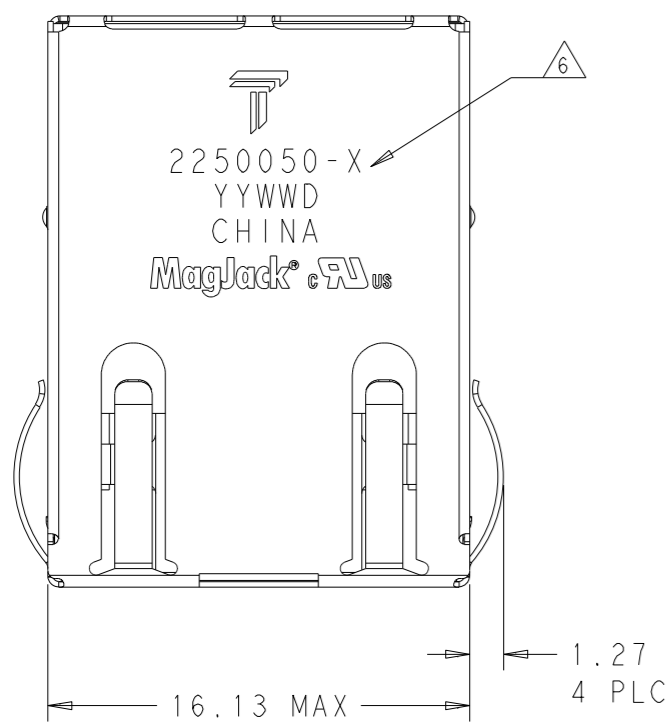


THIS DRAWING AND THE SUBJECT MATTER SHOWN THEREON ARE CONFIDENTIAL AND THE PROPERTY OF BEL/STEWART/TRP CONNECTOR AND SHALL NOT BE REPRODUCED, COPIED, OR USED IN ANY MANNER WITHOUT THE WRITTEN CONSENT OF TRP CONNECTOR.

PRODUCT MAY BE PROTECTED BY ONE OR MORE OF THE FOLLOWING US PATENTS:
 5736910 5939955 6425781 6428361 6554638 6840817 7123117
 7429195 7717749 7808751 6217391 6149050 7924130

REVISIONS				
#	LT#	DESCRIPTION	DATE	OWN APVD
2		EC-1411035 COMPANY LOGO CHANGE	31DEC2014	DP TY



1. MATERIALS

- HOUSING: THERMOPLASTIC, FLAMMABILITY RATING UL 94V-0.
- SHIELD: BRASS 0.20mm THICK, PREPLATED WITH 0.76um MIN SEMI-BRIGHT NICKEL. SOLDER TABS POST DIPPED WITH 2.54um MIN SAC SOLDER.
- CONTACTS: PHOSPHOR BRONZE 0.46mm X 0.30mm, PHOSPHOR BRONZE, 1.27um MIN NICKEL UNDERPLATE, WITH 1.27um MIN GOLD PLATING AT MATING INTERFACE AND 2.54um MIN MATTE TIN ON SOLDER TAILS, OR 1.27um MIN NICKEL UNDERPLATE, WITH 0.05um GOLD PLATING OVER 0.76um MIN PALLADIUM NICKEL PLATING AT MATING INTERFACE AND 2.54um MIN MATTE TIN ON SOLDER TAILS.
- SOLDER TAILS: 0.25mm THICK, PHOSPHOR BRONZE, 1.27um MIN OVERALL NICKEL UNDERPLATE, 3um TIN PLATE

△2 RJ45 JACK CAVITY CONFORMS TO FCC RULES AND REGULATIONS PART 68 SUB PART F.

△3 MAGNETICS

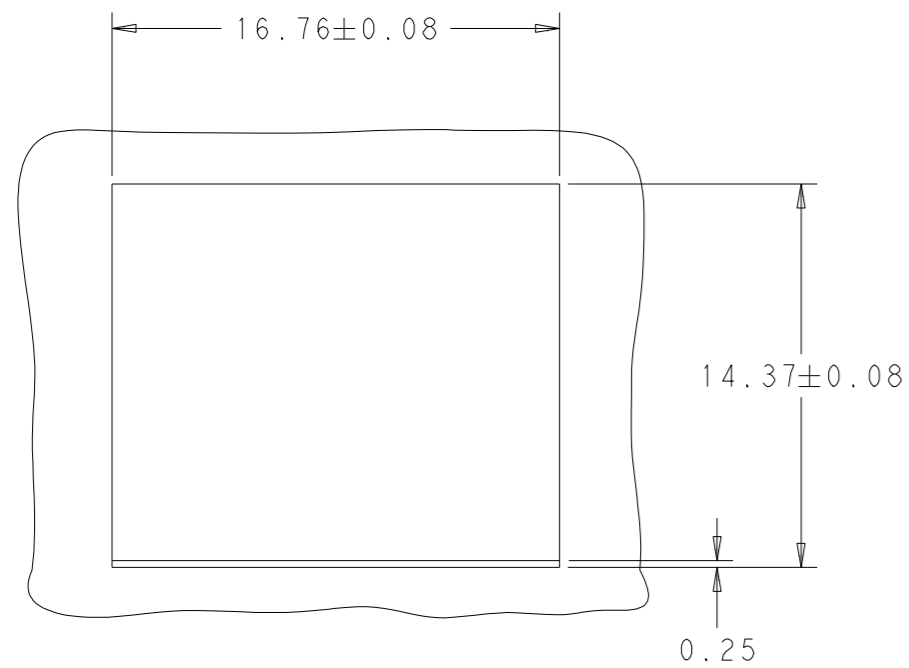
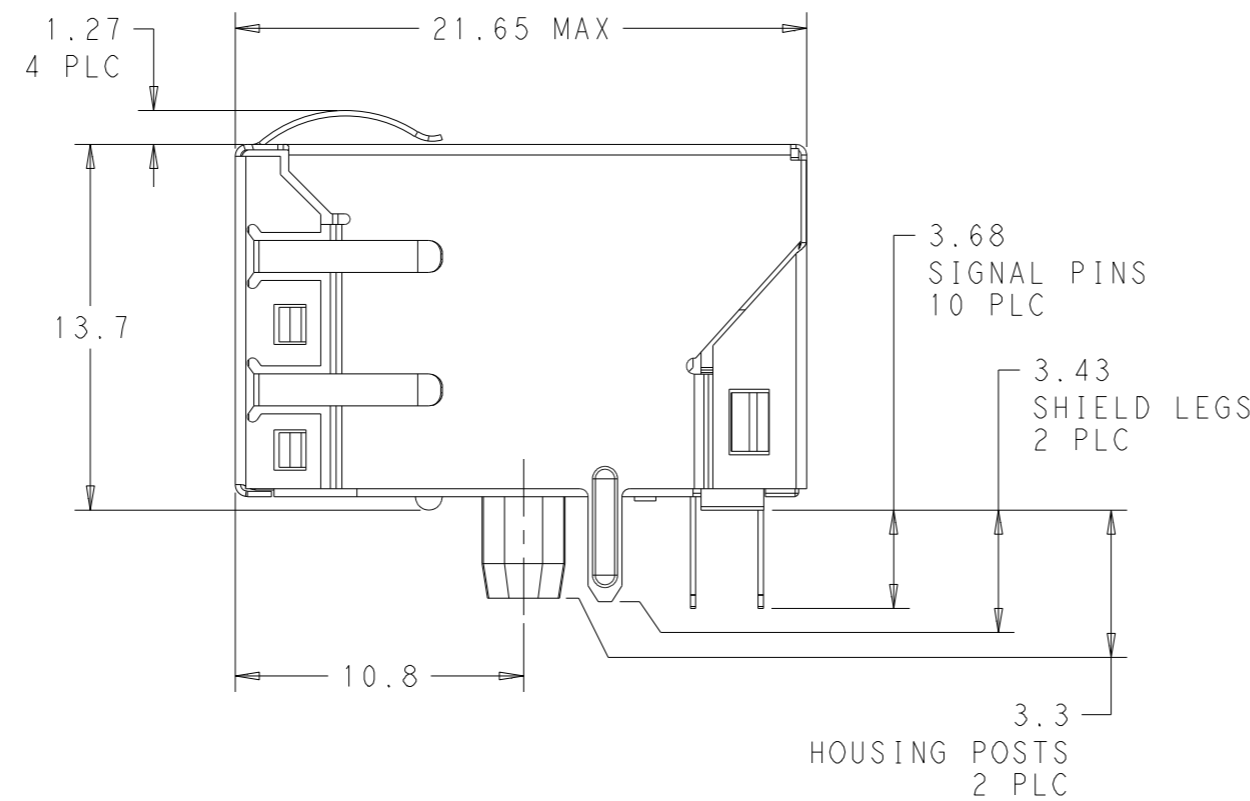
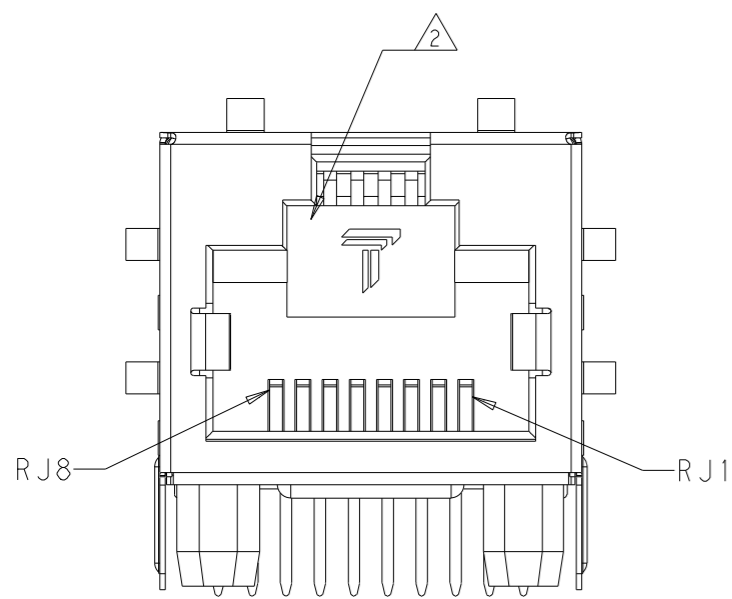
- APPLICATION: 10/100/1000 BASE-T
- IMPEDANCE: 100 OHMS
- TURNS RATIO (CHIP:CABLE): 1:1 ALL FOUR PAIRS
- OPEN CIRCUIT INDUCTANCE (OCL): 350uH MIN. @100kHz, 0.1VRMS, 8mADC BIAS FROM 0°C TO +70°C, ALL FOUR PAIRS
- ALL FOUR PAIRS BI-DIRECTIONAL
- PERFORMANCE @ 25°C:
 INSERTION LOSS (IL): 1.1dB MAX. FROM 0.5MHz TO 100MHz
 RETURN LOSS (RL): 18dB MIN FROM 0.5MHz TO 40MHz
 12-20LOG(f/80)dB MIN. FROM 40.1MHz TO 100MHz
 CROSSTALK ATTENUATION: 35dB MIN. FROM 0.5MHz TO 40MHz
 33-20LOG(f/50)dB MIN. FROM 40.1MHz TO 100MHz
 COMMON MODE REJECTION RATIO (CMRR): 30dB MIN. FROM 0.5MHz TO 100MHz
- ISOLATION VOLTAGE: 2250VDC FOR 60 SECONDS WITH A RISE TIME OF 500 V/SEC

4. OPERATING TEMPERATURE: FROM 0°C TO +70°C.

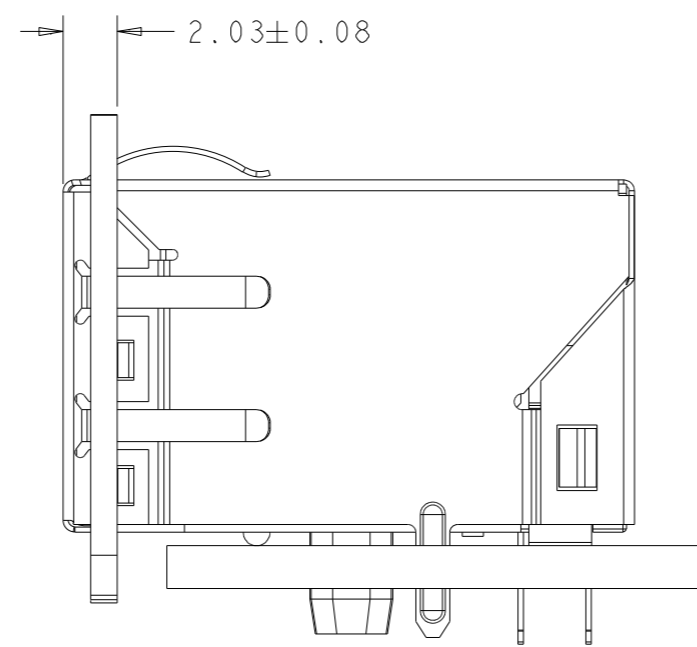
△5 INDICATED MAGNETIC CONNECTIONS ARE SYMMETRICAL TO SUPPORT AUTO-MDI/MDIX.

△6 TRP CONNECTOR LOGO, PART NUMBER, DATE CODE, COUNTRY OF ORIGIN AND AGENCY APPROVAL MARKING IN APPROXIMATE LOCATION SHOWN. DATE CODE: YYWW WHERE YY IS YEAR, WW IS WORK WEEK, D IS DAY OF WEEK, WITH SUNDAY=1.

7. PART SHOULD BE RECOMMENDED FOR WAVE SOLDERING PROCESS, PREHEAT TEMPERATURE IS 120°C TO 160°C, 120 SECONDS TO 180 SECONDS, PEAK WAVE SOLDERING TEMPERATURE IS 260°C MAX, 10 SECONDS MAX.

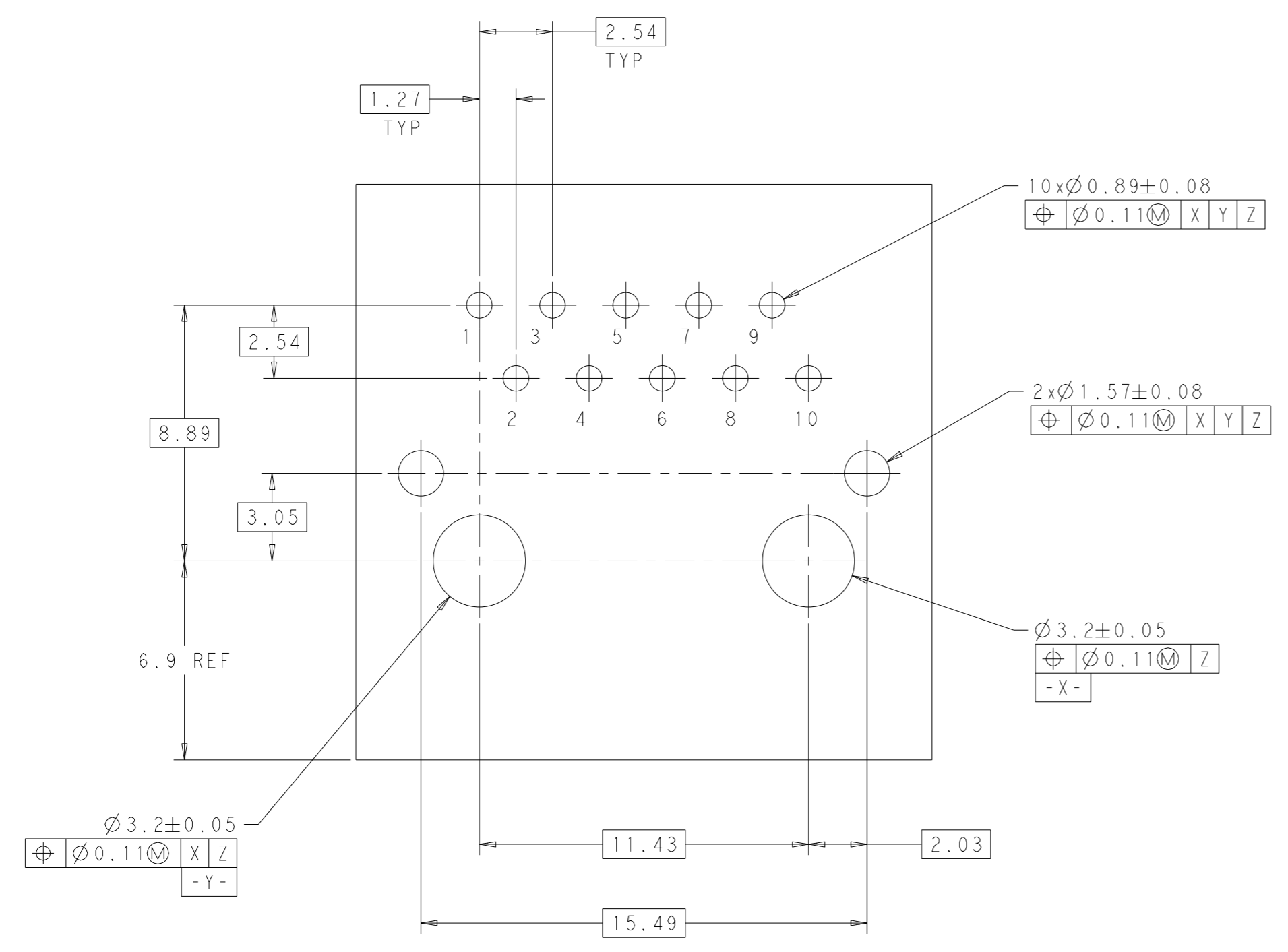


SUGGESTED CUT PANEL AND PCB

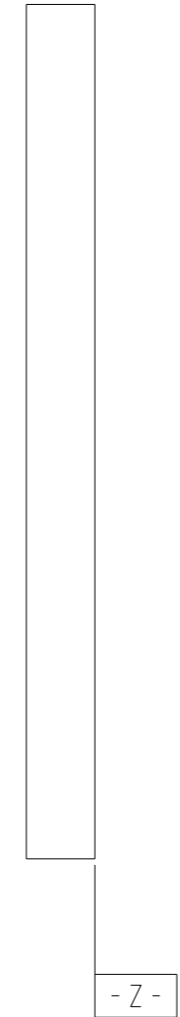


2250050-1
PART NO.

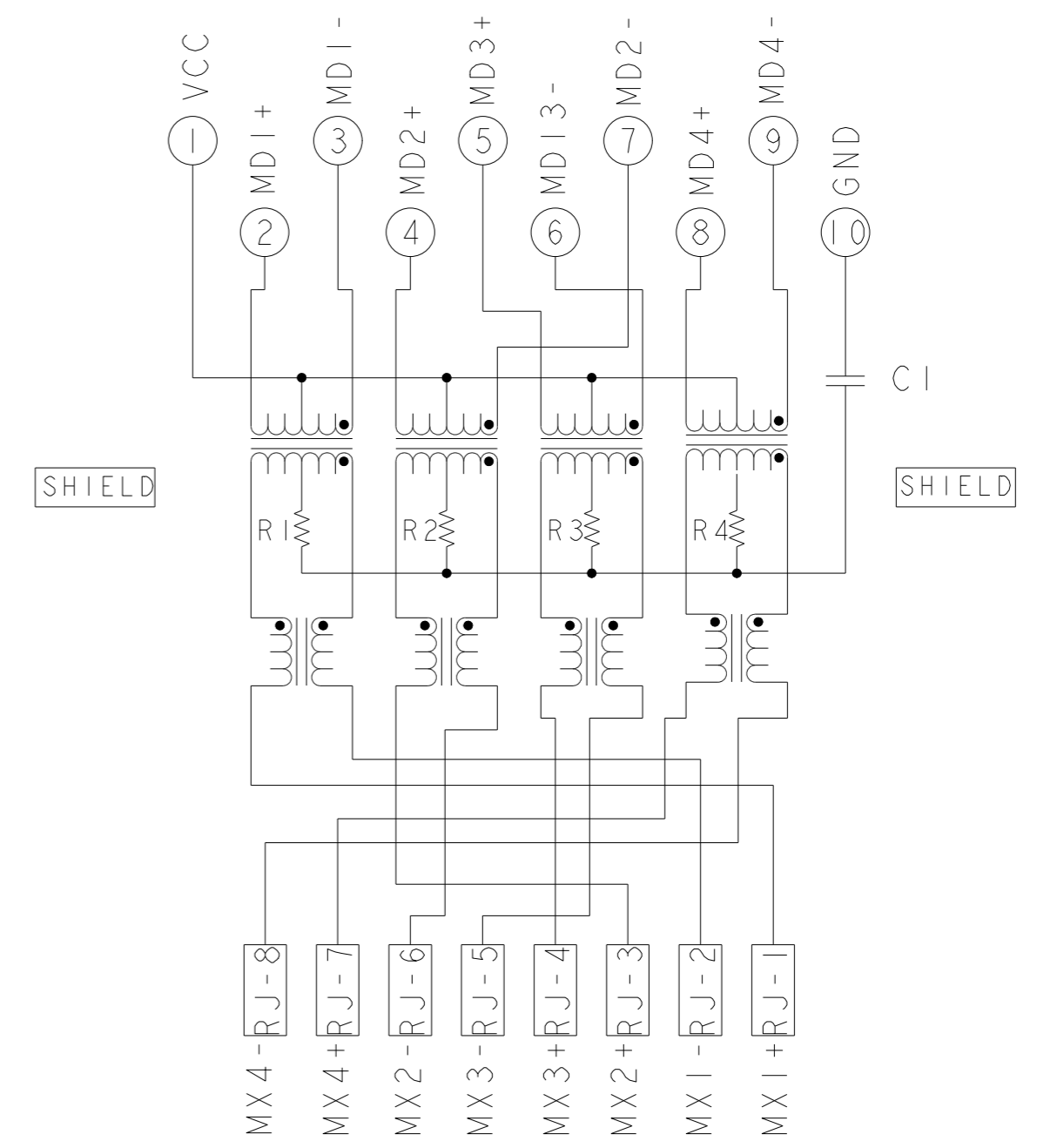
THIS DRAWING IS A CONTROLLED DOCUMENT.		DWN ROY LIU 06 JUN 2013	 DONGGUAN CHINA a bel group												
DIMENSIONS: mm		CHK TOWER YU / FRANK LIU 06 JUN 2013													
TOLERANCES UNLESS OTHERWISE SPECIFIED:		APVD TONY YUAN 06 JUN 2013													
<table border="1"> <tr> <td>0 PLC</td> <td>±0.25</td> </tr> <tr> <td>1 PLC</td> <td>±0.25</td> </tr> <tr> <td>2 PLC</td> <td>±0.25</td> </tr> <tr> <td>3 PLC</td> <td>±0.25</td> </tr> <tr> <td>4 PLC</td> <td>±0.25</td> </tr> <tr> <td>ANGLES</td> <td>±°</td> </tr> </table>		0 PLC	±0.25	1 PLC	±0.25	2 PLC	±0.25	3 PLC	±0.25	4 PLC	±0.25	ANGLES	±°	MODEL NAME MAGJACK	DESC 1X1 7G01L GIGABIT TAB UP W/O LED
0 PLC	±0.25														
1 PLC	±0.25														
2 PLC	±0.25														
3 PLC	±0.25														
4 PLC	±0.25														
ANGLES	±°														
PRODUCT SPEC APPLICATION SPEC		SINGLE NON-POE	RESTRICTED TO												
CUSTOMER DRAWING		SCALE 4:1	SHEET 1 OF 3 REV 2												



SUGGESTED PCB LAYOUT




7G01L GIGABIT CIRCUIT



R1-R4=75 Ohms, RESISTORS
 C1=1000 pF, CAPACITOR

THIS DRAWING IS A CONTROLLED DOCUMENT.		DWN: ROY LIU 06 JUN 2013 CHK: TOWER YU / FRANK LIU 06 JUN 2013 APVD: TONY YUAN 06 JUN 2013	DONGGUAN CHINA
DIMENSIONS: mm 	TOLERANCES UNLESS OTHERWISE SPECIFIED: 0 PLC ±0.25 1 PLC ±0.25 2 PLC ±0.25 3 PLC ±0.25 4 PLC ±0.25 ANGLES ±° APPLICATION SPEC ±°	MODEL NAME: MAGJACK DESC: IX1 7G01L GIGABIT TAB UP W/O LED	
PRODUCT SPEC	APPLICATION SPEC	SIZE: A1 CAGE CODE: C=2250050 DRAWING NO: 2250050	RESTRICTED TO: - SCALE: 4:1 SHEET: 2 OF 3 REV: 2

C_2250050					STOCK DISPOSITION			
REVISION HISTORY					A: CONTINUE AS IS		D: USE OLD FIRST	
					B: REWORK		E: PARTS TO CONFORM	
					C: SCRAP		F: OTHER	
DATE	REV	CHANGES	REASON	APPROVAL	INVENTORY (A,B,C,D,E,F)	WORK IN PROCESS (A,B,C,F)	SUPPLIER ORDERS (A,E,F)	OPEN CUST ORDERS (A,E,F)
06JUN2013	1	-	INITIAL RELEASE	KEITH ZHU	-	-	-	-
31DEC2014	2	EC-1411035 COMPANY LOGO CHANGE	MARKET REQUEST	TONY YUAN	-	-	-	-

THIS DRAWING IS A CONTROLLED DOCUMENT.		DWN ROY LIU 06 JUN2013		 trp CONNECTOR a bel group DONGGUAN CHINA	
DIMENSIONS: mm		CHK TOWER YU/ FRANK LIU 06 JUN2013			
TOLERANCES UNLESS OTHERWISE SPECIFIED:		APVD TONY YUAN 06 JUN2013		MODEL NAME MAGJACK	
0 PLC ±0.25 1 PLC ±0.25 2 PLC ±0.25 3 PLC ±0.25 4 PLC ±0.25 ANGLES ±°		DESC IXI 7G01L GIGABIT TAB UP W/O LED		SIZE A1	
PRODUCT SPEC		APPLICATION SPEC		CAGE CODE 2250050	
-		-		DRAWING NO C=2250050	
		CUSTOMER DRAWING		RESTRICTED TO -	
				SCALE 4:1	
				SHEET 3 OF 3	
				REV 2	