

INFORMATION CONTAINED HEREIN IS CONSIDERED PROPRIETARY TO BEL FUSE INC. AND SHALL NOT BE REPRODUCED OR DISCLOSED WITHOUT THE WRITTEN APPROVAL OF BEL FUSE INC.

LED1 POLARITY			LED2 POLARITY		
PIN 7	PIN 8	COLOR	PIN 9	PIN 10	COLOR
-	+	GREEN	-	+	GREEN

PRELIMINARY

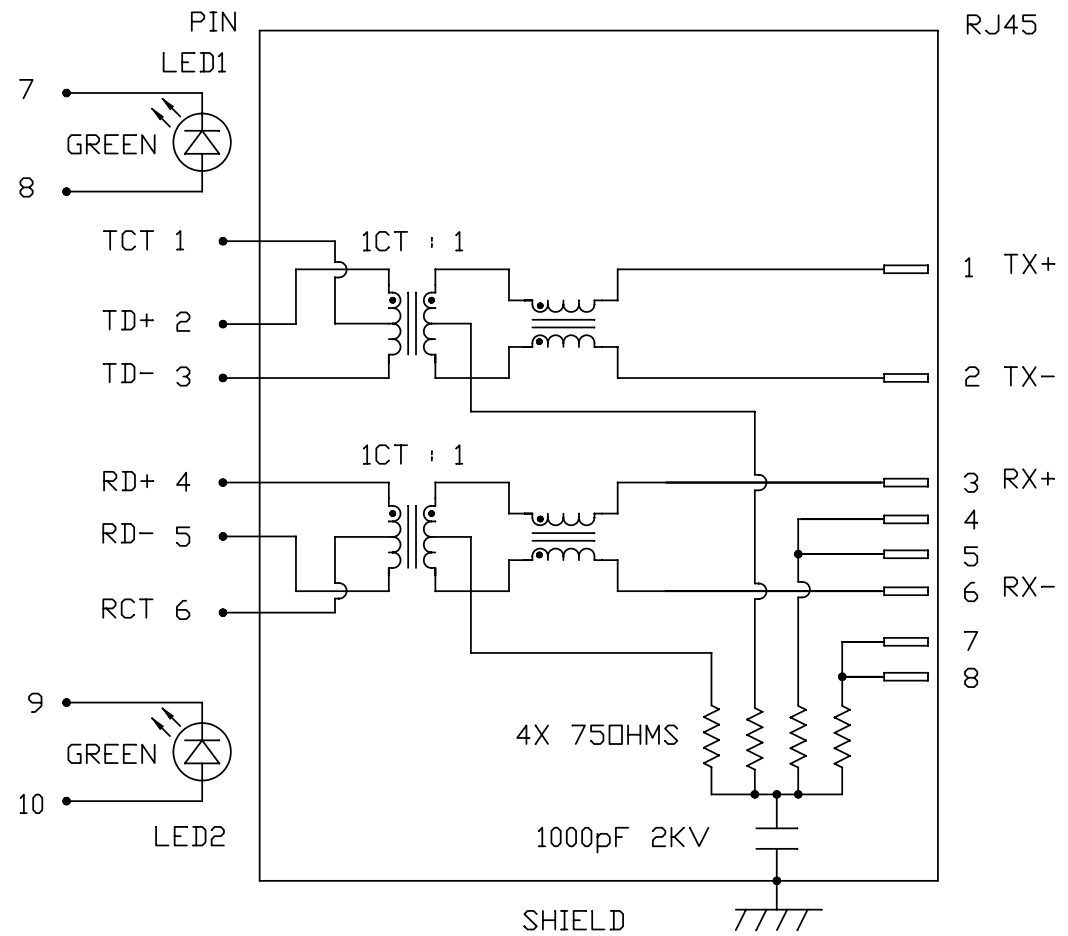


ELECTRICAL CHARACTERISTICS @ 25°C

URNS RATIO

TX	1CT : 1
RX	1CT : 1
□CL @ 100kHz/100mVRMS	350µH MIN.
8mA DC BIAS	
INS. LOSS	-1.0 dB MAX
1MHz TO 100MHz	
RET. LOSS (MIN)	-18 dB
1MHz-30MHz	-18+20LOG(F/30MHz) dB
30MHz-60MHz	
60MHz-80MHz	-12 dB
CROSS TALK (TX - RX)	
500kHz-1MHz	-70 dB MIN
10 MHz	-50 dB MIN
30 MHz	-45 dB MIN
50 MHz	-40 dB MIN
100 MHz	-35 dB MIN
CM TO CM REJ	
100kHz-1MHz	-70 dB MIN
10 MHz	-47 dB MIN
30 MHz	-42 dB MIN
60 MHz	-37 dB MIN
100 MHz	-30 dB MIN
CM TO DM REJ	
100kHz-1MHz	-70 dB MIN
10 MHz	-60 dB MIN
30 MHz	-50 dB MIN
60 MHz	-45 dB MIN
100 MHz	-40 dB MIN
HIPOT (Isolation Voltage):	1500 Vrms
100% OF PRODUCTION TESTED TO COMPLY WITH IEEE 802.3 ISOLATION REQUIREMENTS.	
LED1 and LED2	
VF (FORWARD VOLTAGE) IF=20mA GREEN	2.2V TYP.
λD (DOMINANT WAVELENGTH) IF=20mA GREEN	565nm TYP.

SCHEMATIC

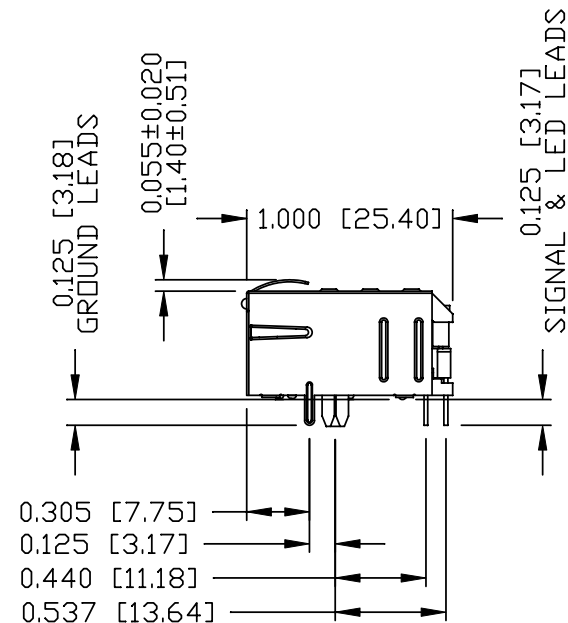
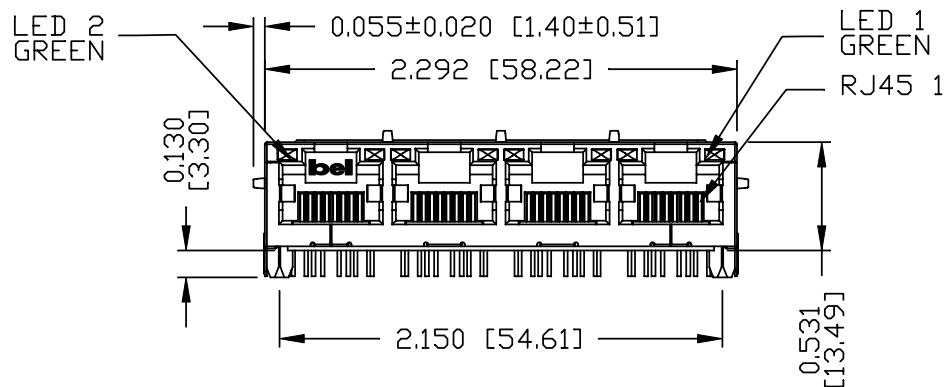
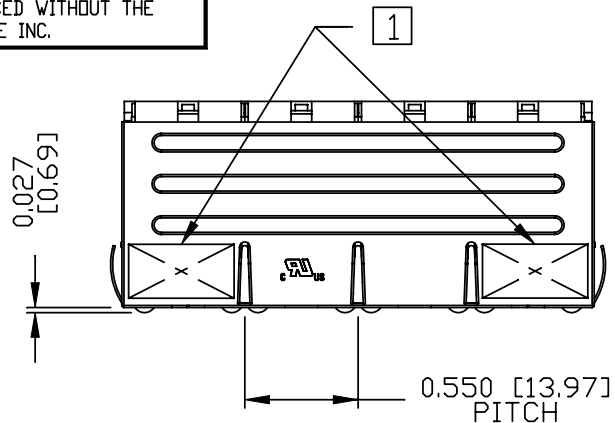


ORIGINATED BY	DATE	TITLE	PART NO. / DRAWING NO.	STANDARD DIM. TOL. IN INCH	[] METRIC DIM. AS REFERENCE
HOW WANGCHUNG	10-27-08	1X4 MagJack®	08B01G4T06-F	.X	UNIT : INCH [mm] REV. : PA
DESIGNED BY	DATE	(4 Cores, MDIX, CM Termination)	FILE NAME	.XX	SCALE : N/A SIZE : A4
SEE WEIDE	10-27-08	08B0-1G4T-06-F	08B01G4T06-F_PA.DWG	.XXX	PAGE : 2



INFORMATION CONTAINED HEREIN IS CONSIDERED PROPRIETARY TO BEL FUSE INC. AND SHALL NOT BE REPRODUCED, REPRODUCED OR DISCLOSED WITHOUT THE WRITTEN APPROVAL OF BEL FUSE INC.

PRELIMINARY



NOTES:

- PLASTIC HOUSING: THERMOPLASTIC PBT
FLAMMABILITY RATING UL 94V-0
- CONTACTS PLATING: 15 MICRO-INCH HARD GOLD PLATING
- PINS: TIN-COATED COPPER WIRE, DIA 0.018 INCH.
- METAL SHIELD: NICKEL PLATED ON COPPER ALLOY.
(ALL GROUND LEADS ARE SOLDER DIPPED)

[1] MARK PART WITH MFG LOGO, MFG NAME, PART NUMBER, AND DATE CODE.

UL RECOGNIZED - FILE #E196366 AND E169987.
RoHS COMPLIANT, PER EU DIRECTIVE 2002/95/EC
JACK CAVITY CONFORMS TO FCC RULES AND REGULATIONS

DESIGNED BY HEN BILL	DATE 10-27-08	TITLE 1X4 MagJack® (4 Cores, MDIX, CM Termination)	PART NO. / DRAWING NO. 08B01G4T06-F	STANDARD DIM. TOL. IN INCH .X .XX .XXX ±0.010	[] METRIC DIM. AS REFERENCE UNIT : INCH [mm] SCALE : N/A REV. : PA SIZE : A4 PAGE : 3	 COMPONENTS FOR A CONNECTED PLANET
DRAWN BY IAN JIAXIN	DATE 10-27-08	FILE NAME 08B01G4T06-F_PA.DWG				

02(2)032305

This document is electronically generated. This is a controlled copy if used internally

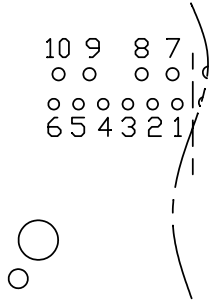
Please read our datasheet & drawing disclaimer [here](#).

ALL INFORMATION CONTAINED HEREIN IS CONSIDERED PROPRIETARY TO BEL FUSE INC. AND SHALL NOT BE REPRODUCED, REPRODUCED OR DISCLOSED WITHOUT THE WRITTEN APPROVAL OF BEL FUSE INC.

PRELIMINARY

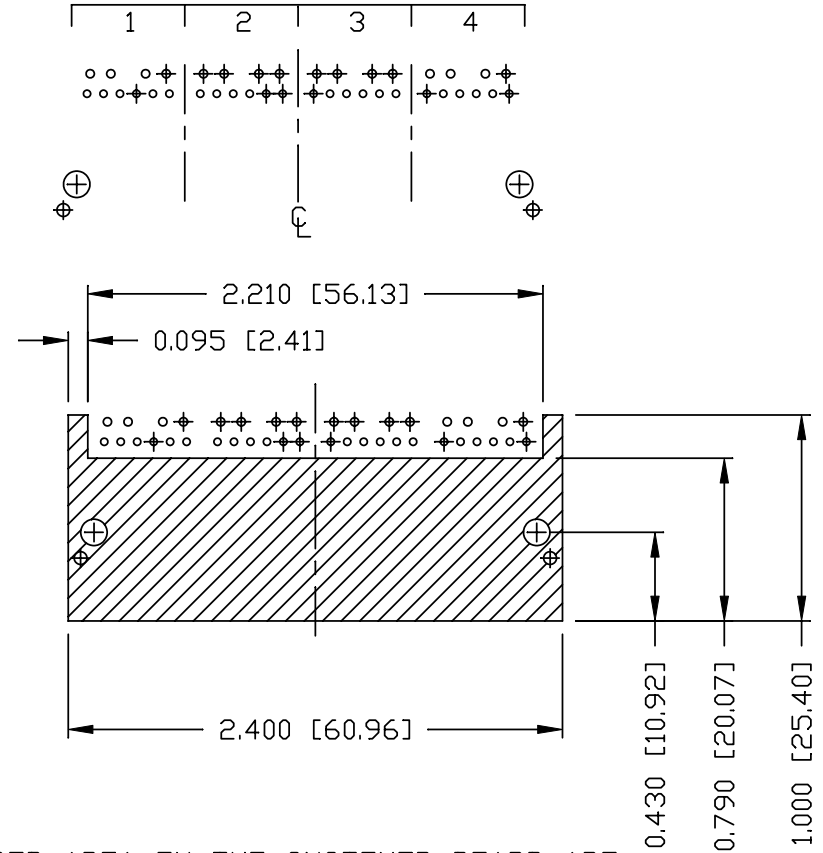


PIN ASSIGNMENT - EACH PORT
COMPONENT SIDE VIEW



6	RCT
5	RD -
4	RD +
3	TD -
2	TD +
1	TCT

RECOMMENDED PCB FOOTPRINT
COMPONENT SIDE VIEW



THE SHADED AREA ON THE CUSTOMER BOARD ARE RECOMMENDED TO BE CLEAR OFF ANY VIA HOLE OR COMPONENT PAD.

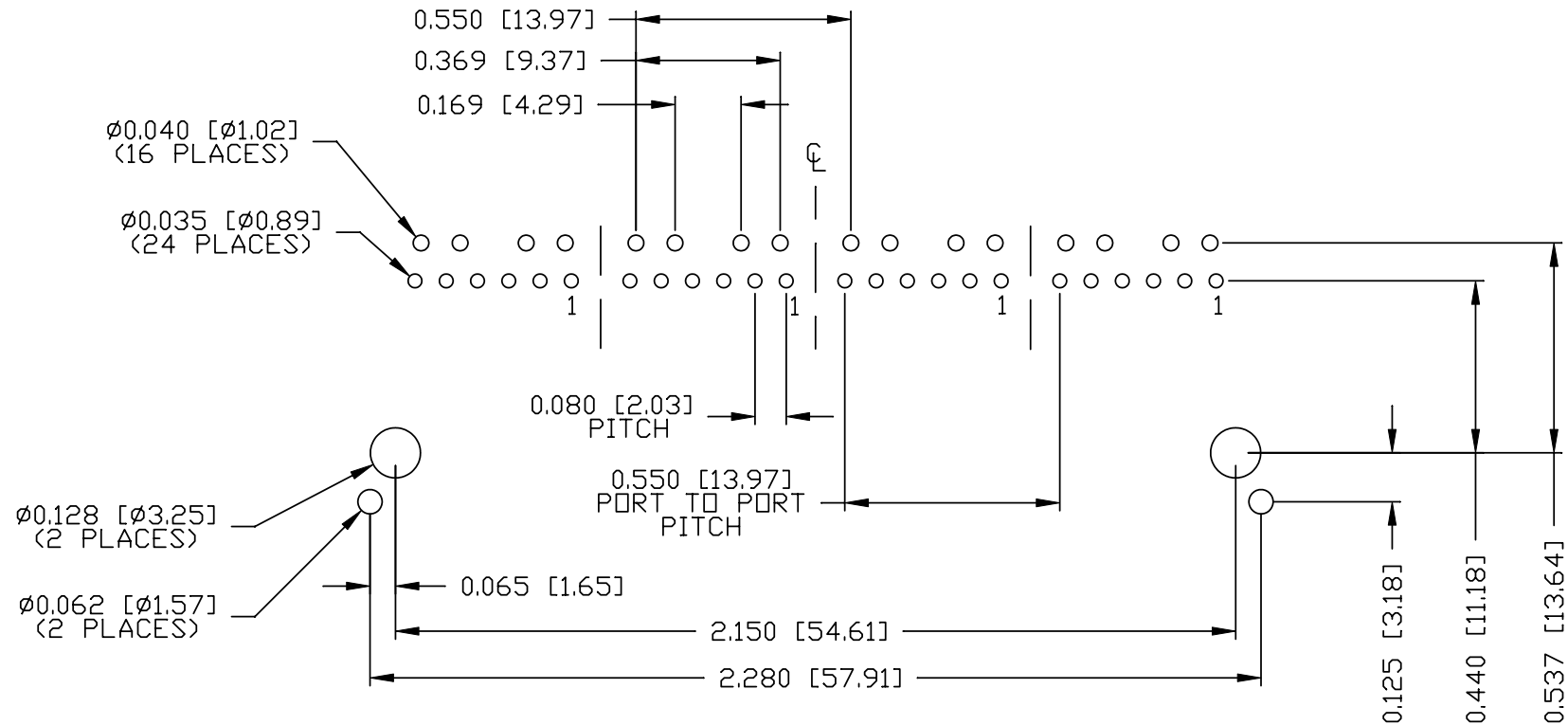
DESIGNED BY HENRY BILL	DATE 10-27-08	TITLE 1X4 MagJack® (4 Cores, MDIX, CM Termination)	PART NO. / DRAWING NO. 08B01G4T06-F	STANDARD DIM.		[] METRIC DIM. AS REFERENCE		bel COMPONENTS FOR A CONNECTED PLANET
				TOL. IN INCH		UNIT : INCH [mm]	REV. : PA	
DRAWN BY IAN JIAXIN	DATE 10-27-08	FILE NAME 08B01G4T06-F_PA.DWG		.X	±0.004	SCALE : N/A	SIZE : A4	PAGE : 4
				.XX				
				.XXX				

INFORMATION CONTAINED HEREIN IS CONSIDERED PROPRIETARY TO BEL FUSE INC. AND SHALL NOT BE REPRODUCED, REPRODUCED OR DISCLOSED WITHOUT THE WRITTEN APPROVAL OF BEL FUSE INC.

PRELIMINARY



RECOMMENDED PCB FOOTPRINT
COMPONENT SIDE VIEW



DESIGNED BY HEN BILL	DATE 10-27-08	TITLE 1X4 MagJack® (4 Cores, MDIX, CM Termination)	PART NO. / DRAWING NO. 08B01G4T06-F	STANDARD DIM. TOL. IN INCH	[] METRIC DIM. AS REFERENCE
AWN BY IAN JIAXIN	DATE 10-27-08	08B0-1G4T-06-F	FILE NAME 08B01G4T06-F_PA.DWG	.X .XX .XXX ±0.004	UNIT : INCH [mm] SCALE : N/A REV. : PA SIZE : A4 PAGE : 5

12(2)032305

This document is electronically generated. This is a controlled copy if used internally
Please read our datasheet & drawing disclaimer [here](#).

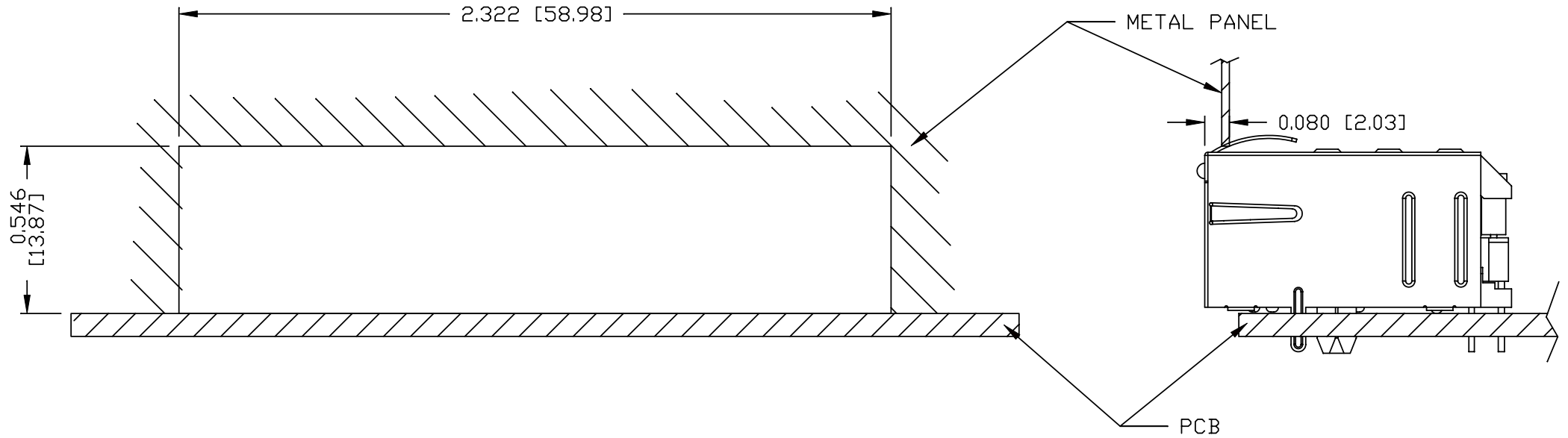


ALL INFORMATION CONTAINED HEREIN IS CONSIDERED PROPRIETARY TO BEL FUSE INC. AND SHALL NOT BE REPRODUCED, REPRODUCED OR DISCLOSED WITHOUT THE WRITTEN APPROVAL OF BEL FUSE INC.

PRELIMINARY



SUGGESTED PANEL OPENING



NOTES:

THE DISTANCE OF PANEL INSIDE SURFACE RELATIVE TO FRONT SURFACE OF PART IS ONLY A SUGGESTION. IN CASE THIS DISTANCE IS DIFFERENT, THE REQUIRED PANEL OPENING DIMENSIONS CHANGE ACCORDINGLY.

PACKING INFORMATION

PACKING TRAY : 0200-0148-17

PACKING QUANTITY : 30 PCS FINISHED GOODS PER TRAY.

10 TRAYS (300 PCS FINISHED GOODS) PER CARTON BOX.

NOTE : CARDBOARDS ARE PLACED BETWEEN LAYERS OF PACKING TRAY INSIDE CARTON BOX.

(INCLUDE THE UPPERMOST AND LOWERMOST TRAY)

DESIGNED BY HEN BILL	DATE 10-27-08	TITLE 1X4 MagJack®	PART NO. / DRAWING NO. 08B01G4T06-F	STANDARD DIM. TOL. IN INCH	[] METRIC DIM. AS REFERENCE	<p>COMPONENTS FOR A CONNECTED PLANET</p>
DRAWN BY LIAN JIAXIN	DATE 10-27-08	(4 Cores, MDIX, CM Termination)	FILE NAME 08B01G4T06-F_PA.DWG	.X	UNIT : INCH [mm]	
		08B0-1G4T-06-F		.XX	SCALE : N/A	
				.XXX ±0.004		
					REV. : PA	SIZE : A4
					PAGE : 6	

02(2)032305

This document is electronically generated. This is a controlled copy if used internally

Please read our datasheet & drawing disclaimer [here](#).