

THE INFORMATION CONTAINED HEREIN IS CONSIDERED 'PROPRIETARY' TO BEL FUSE INC. AND SHALL NOT BE COPIED, REPRODUCED OR DISCLOSED WITHOUT THE WRITTEN APPROVAL OF BEL FUSE INC.

LED1 POLARITY			LED2 POLARITY			
PIN 11	PIN 12	COLOR	PIN 15	PIN 14	PIN 13	COLOR
-	+	YELLOW	-	+	/	ORANGE
/	/	/	/	+	-	GREEN

PRELIMINARY



ELECTRICAL CHARACTERISTICS @ 25°C

**URNS RATIO**  
 TP1 1CT : 1CT ±2%  
 TP2 1CT : 1CT ±2%  
 TP3 1CT : 1CT ±2%  
 TP4 1CT : 1CT ±2%

**OC L @ 100kHz/100mVRMS**  
 From CHANNEL 1 to CHANNEL 4  
 8mA DC BIAS (-40°C - +85°C) 350µH MIN.

**INSERTION LOSS**  
 0.1MHz TO 1MHz -1.1 dB MAX  
 1MHz TO 65MHz -0.8 dB MAX  
 65MHz TO 100MHz -1.0 dB MAX  
 100MHz TO 125MHz -1.5 dB MAX

**RET. LOSS (MIN) @ 100DHMS**  
 0.5MHz-40MHz -18 dB  
 50MHz-100MHz -12+20LOG(f/80MHz) dB

**CM TO CM REJ**  
 100kHz - 100MHz -28 dB MIN

**CM TO DM REJ**  
 100kHz - 100MHz -35 dB MIN

**CROSS TALK**  
 1MHz-60MHz -30 dB MIN  
 60MHz-100MHz -25 dB MIN

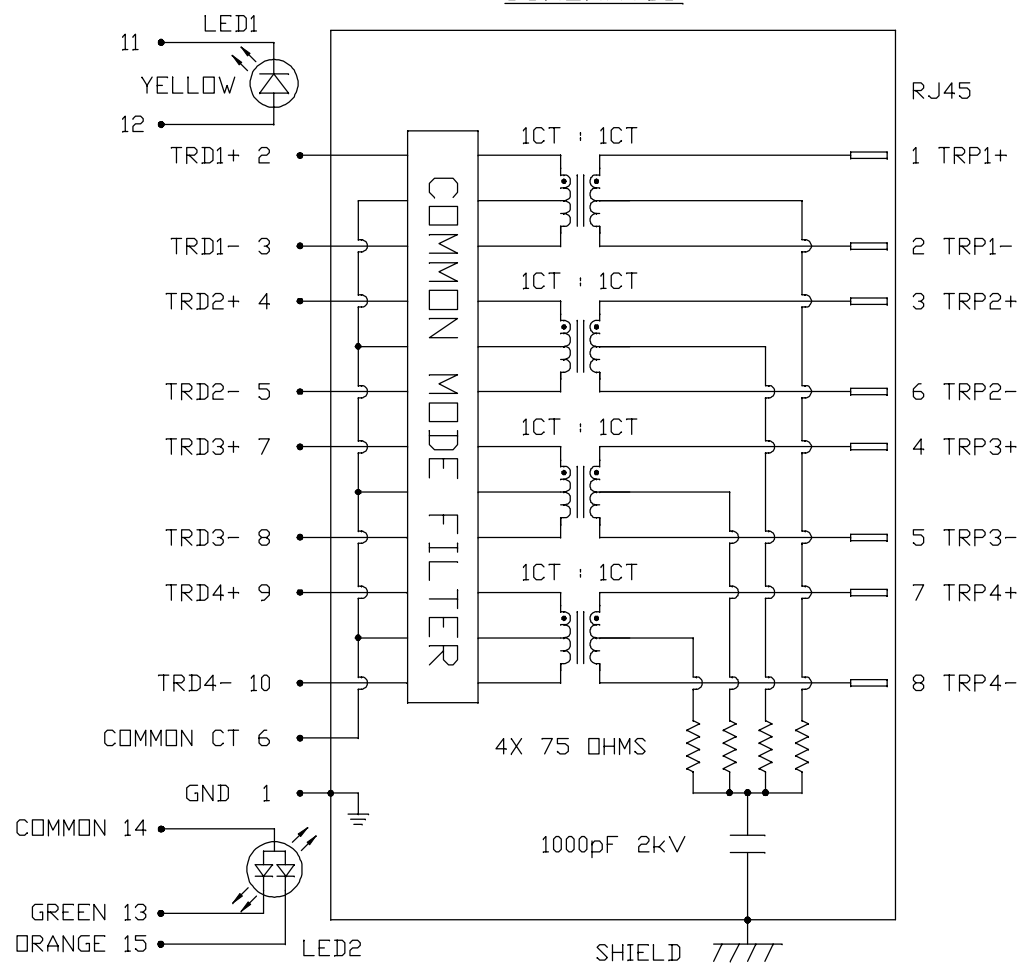
**HIPOT (Isolation Voltage):** 2250 VDC  
 100% OF PRODUCTION TESTED TO COMPLY  
 WITH IEEE 802.3 ISOLATION REQUIREMENTS

<b>LED 1</b>			
VF (FORWARD VOLTAGE)	IF=20mA	YELLOW	2.1V TYP.
λD (DOMINANT WAVELENGTH)	IF=20mA	YELLOW	590nm TYP.
<b>LED 2</b>			
VF (FORWARD VOLTAGE)	IF=20mA	GREEN	2.2V TYP.
		ORANGE	2.0V TYP.
λD (DOMINANT WAVELENGTH)	IF=20mA	GREEN	570nm TYP.
		ORANGE	605nm TYP.

**USB ELECTRICAL:**  
 INSULATION RESISTANCE: 1000 MEGA W(MIN)  
 CONTACT RESISTANCE: 25 MILLI W(MAX)  
 DIELECTRIC WITHSTANDING: 750 VAC

OPERATING TEMPERATURE: -40°C TO 85°C

SCHEMATIC



**ORIGINATED BY**  
 CHOW WANCHUNG  
**DATE** 2018-09-25  
**DRAWN BY**  
 XIE YIMING  
**DATE** 2018-09-25

**TITLE**  
 gigabit MagJack® Combo  
 Extend Temperature  
 0862-1J1T-46A-F  
 PATENTED

**PART NO. / DRAWING NO.**  
 08621J1T46AF  
**FILE NAME**  
 08621J1T46AF\_PA.DWG

**STANDARD DIM.**  
 TOL. IN INCH  
 .X  
 .XX  
 .XXX  
**[ ] METRIC DIM.**  
 AS REF.  
 UNIT : INCH [mm]  
 SCALE : N/A  
 SIZE : A4

REV. : PA PAGE : 2

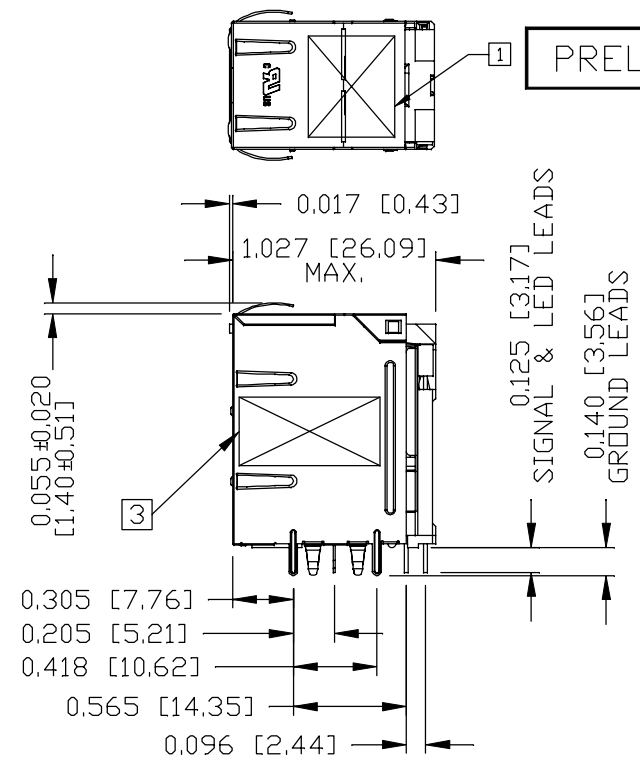
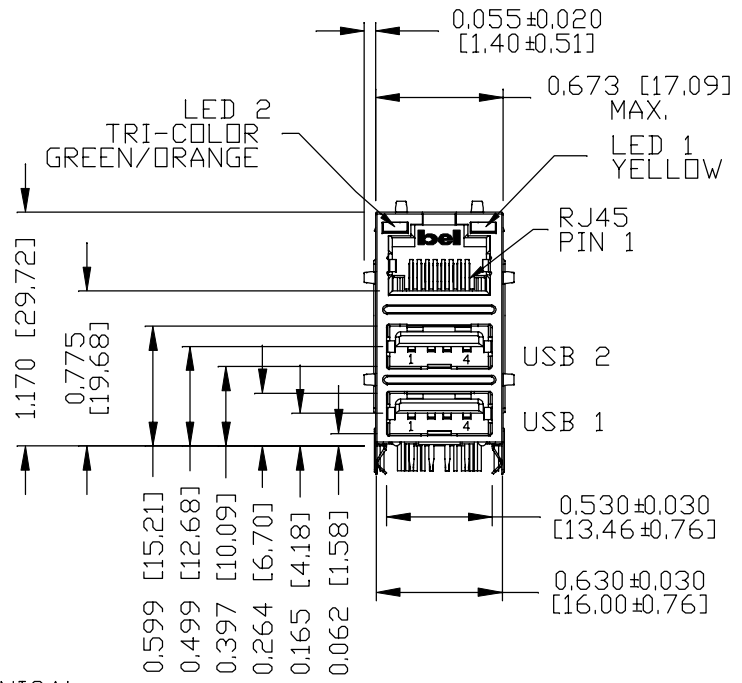
a bel group

THE INFORMATION CONTAINED HEREIN IS CONSIDERED "PROPRIETARY" TO BEL FUSE INC. AND SHALL NOT BE COPIED, REPRODUCED OR DISCLOSED WITHOUT THE WRITTEN APPROVAL OF BEL FUSE INC.

MECHANICAL SPECIFICATION



PRELIMINARY



RJ45 MECHCNICAL:

PLASTIC HOUSING: THERMOPLASTIC PBT, BLACK  
 FLAMMABILITY RATING UL 94V-0  
 CONTACT PLATING: 30 MICRO-INCH HARD GOLD PLATING OR EQUIVALENT.  
 PINS: TIN-COATED COPPER WIRE, DIA 0.018 INCH,  
 100 MICRO-INCH MIN MATTE TIN. PINS ARE SOLDER DIPPED.  
 METAL SHIELD: NICKEL PLATED ON COPPER ALLOY,  
 (ALL GROUND LEADS ARE SOLDER DIPPED)

- MARK PART WITH MFG LOGO, MFG NAME, PART NUMBER, AND DATE CODE.
- THE PRODUCT IS RoHS COMPLIANT.
- UL RECOGNIZED - FILE #E196366 AND E169987.
- "PATENTED" MARKING. THE PRODUCT IS PATENT. THE PATENT NUMBER ARE U.S. PAT. 6,840,817 AND U.S. PAT. 7,123,117.

5. THE PART IS RECOMMENDED FOR WAVE SOLDERING.  
 THE SUGGESTED PEAK WAVE SOLDERING CONDITION IS 260°C MAX AND 10 SECONDS MAX.

USB MECHANICAL:

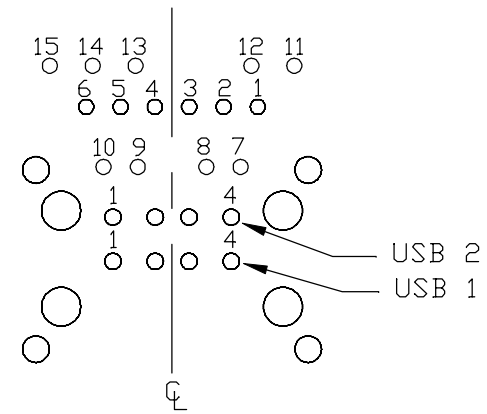
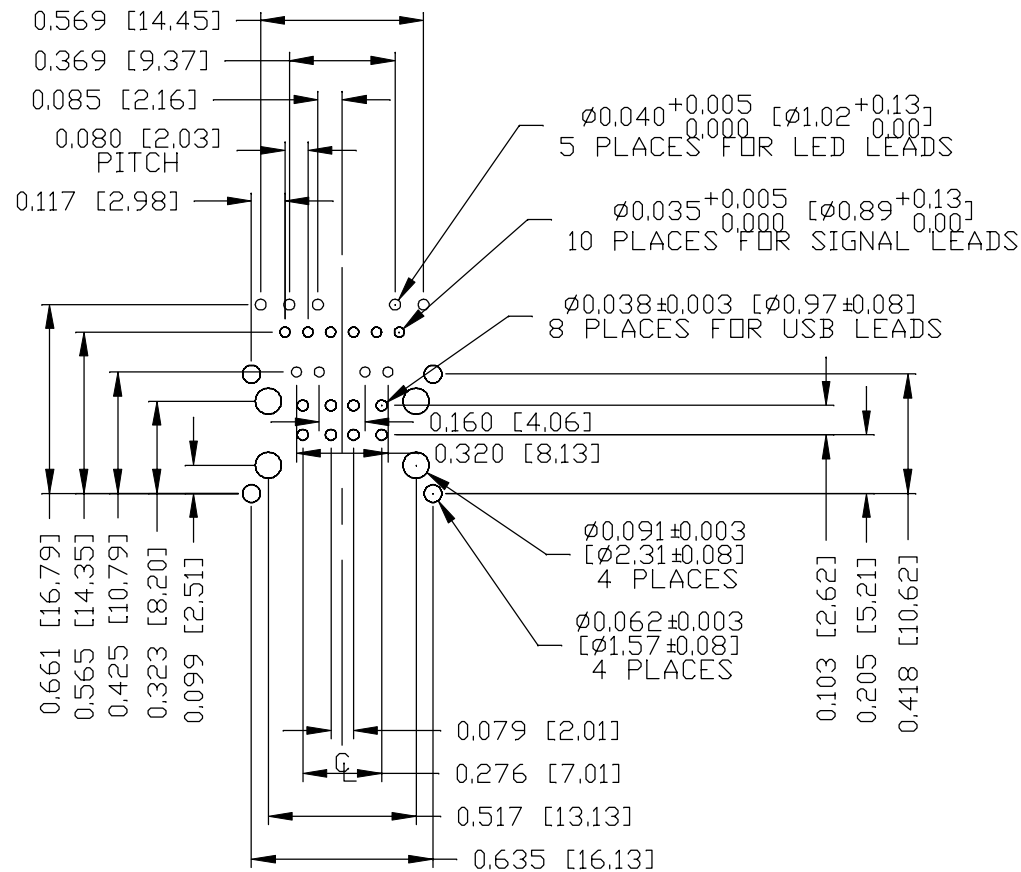
MATING FORCE: 35 NEWTONS MAXIMUM  
 UNMATING FORCE: 10 NEWTONS MINIMUM  
 CONTACT: PROSPHER BRONZE,  
 30 MICRO-INCH GOLD PLATING  
 ON CONTACT AREA AND LEAD-FREE  
 TIN ON SOLDER TAIL.

ORIGINATED BY ANTON LIAD DATE 2018-09-25	TITLE gigabit MagJack® Combo Extend Temperature	PART NO. / DRAWING NO. 08621J1T46AF	STANDARD DIM. TOL. IN INCH	[ ] METRIC DIM. AS REF.
DRAWN BY LI QUANKUN DATE 2018-09-25	0862-1J1T-46A-F PATENTED	FILE NAME 08621J1T46AF_PA.DWG	.X .XX .XXX	UNIT : INCH [mm] SCALE : N/A SIZE : A4
			±0.010	⊕

REV. : PA	PAGE : 3
<p>a bel group</p>	

THE INFORMATION CONTAINED HEREIN IS CONSIDERED "PROPRIETARY" TO BEL FUSE INC. AND SHALL NOT BE COPIED, REPRODUCED OR DISCLOSED WITHOUT THE WRITTEN APPROVAL OF BEL FUSE INC.

PRELIMINARY



PIN ASSIGNMENT  
 SCALE 3:2

RECOMMENDED PCB FOOTPRINT  
 COMPONENT SIDE VIEW

REV. :	PA	PAGE :	4
		STANDARD DIM. TOL. IN INCH	[ ] METRIC DIM. AS REF.
		.X	UNIT : INCH [mm]
		.XX	SCALE : N/A
.XXX	$\pm 0.004$	SIZE : A4	

ORIGINATED BY ANTON LIAD	TITLE gigabit MagJack® Combo Extend Temperature
DATE 2018-09-25	
DRAWN BY LI QUANKUN	0862-1J1T-46A-F PATENTED
DATE 2018-09-25	

PART NO. / DRAWING NO. 08621J1T46AF
FILE NAME 08621J1T46AF_PA.DWG

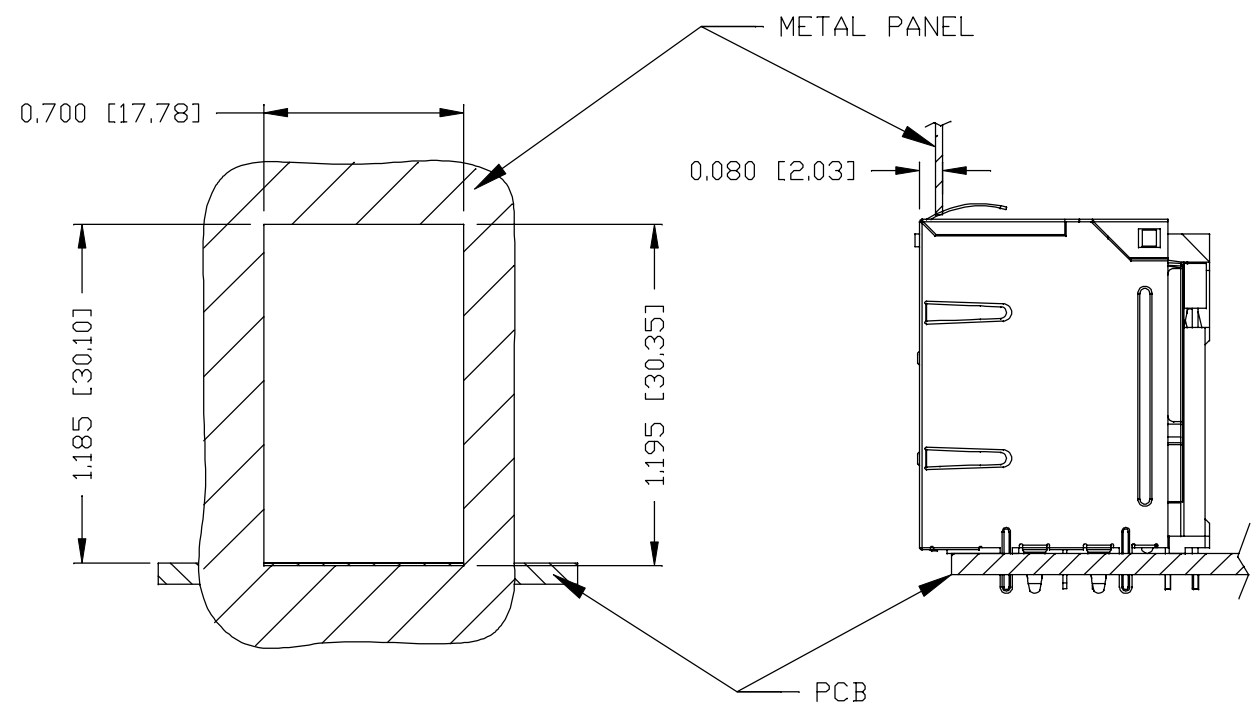
STANDARD DIM. TOL. IN INCH	[ ] METRIC DIM. AS REF.
.X	UNIT : INCH [mm]
.XX	SCALE : N/A
.XXX	$\pm 0.004$

THE INFORMATION CONTAINED HEREIN IS CONSIDERED "PROPRIETARY" TO BEL FUSE INC. AND SHALL NOT BE COPIED, REPRODUCED OR DISCLOSED WITHOUT THE WRITTEN APPROVAL OF BEL FUSE INC.

PRELIMINARY



SUGGESTED PANEL OPENING



NOTE:

THE DISTANCE OF PANEL INSIDE SURFACE RELATIVE TO FRONT SURFACE OF PART IS ONLY A SUGGESTION. IN CASE THIS DISTANCE IS DIFFERENT, THE REQUIRED PANEL OPENING DIMENSIONS CHANGE ACCORDINGLY.

PACKING INFORMATION

PACKING TRAY : 0200-9999-A3  
 PACKING QUANTITY : 42 PCS FINISHED GOODS PER TRAY  
 10 TRAYS (420PCS FINISHED GOODS) PER CARTON BOX  
 NOTE : CARDBOARDS ARE PLACED BETWEEN LAYERS OF PACKING TRAY INSIDE CARTON BOX  
 (INCLUDE THE UPPERMOST AND LOWERMOST TRAY)

ORIGINATED BY  
ANTON LIAD  
DATE 2018-09-25

DRAWN BY  
LI QUANKUN  
DATE 2018-09-25

TITLE  
gigabit MagJack® Combo  
Extend Temperature  
0862-1J1T-46A-F  
PATENTED

PART NO. / DRAWING NO.  
08621J1T46AF

FILE NAME  
08621J1T46AF\_PA.DWG

STANDARD DIM. TOL. IN INCH	[ ] METRIC DIM. AS REF.
.X	UNIT : INCH [mm]
.XX	SCALE : N/A
.XXX	±0.005
	SIZE : A4

REV. : PA PAGE : 5

