

THE INFORMATION CONTAINED HEREIN IS CONSIDERED "PROPRIETARY" TO BEL FUSE INC. AND SHALL NOT BE COPIED, REPRODUCED OR DISCLOSED WITHOUT THE WRITTEN APPROVAL OF BEL FUSE INC.



LED1 POLARITY			LED2 POLARITY		
PIN 13	PIN 14	COLOR	PIN 15	PIN 16	COLOR
-	+	YELLOW	-	+	GREEN

ELECTRICAL CHARACTERISTICS @ 25°C

URNS RATIO

TP1	1CT : 1CT	±2%
TP2	1CT : 1CT	±2%
TP3	1CT : 1CT	±2%
TP4	1CT : 1CT	±2%

OCL @ 100kHz/100mVRMS

8mA DC BIAS 350 µH MIN.

INS. LOSS

0.1MHz TO 1MHz	-1.1 dB MAX
1MHz TO 65MHz	-0.5 dB MAX
65MHz TO 100MHz	-0.8 dB MAX
100MHz TO 125MHz	-1.2 dB MAX

RET. LOSS (MIN)

0.5MHz-40MHz	-18 dB
40MHz-100MHz	-12+20LOG(f/80MHz) dB

CM TO CM REJ

100kHz - 100MHz -30 dB MIN

CM TO DM REJ

100kHz - 100MHz -35 dB MIN

HIPOT (Isolation Voltage):

1500 Vrms or 2250VDC

100% OF PRODUCTION TESTED TO COMPLY WITH IEEE 802.3 ISOLATION REQUIREMENTS.

LED 1

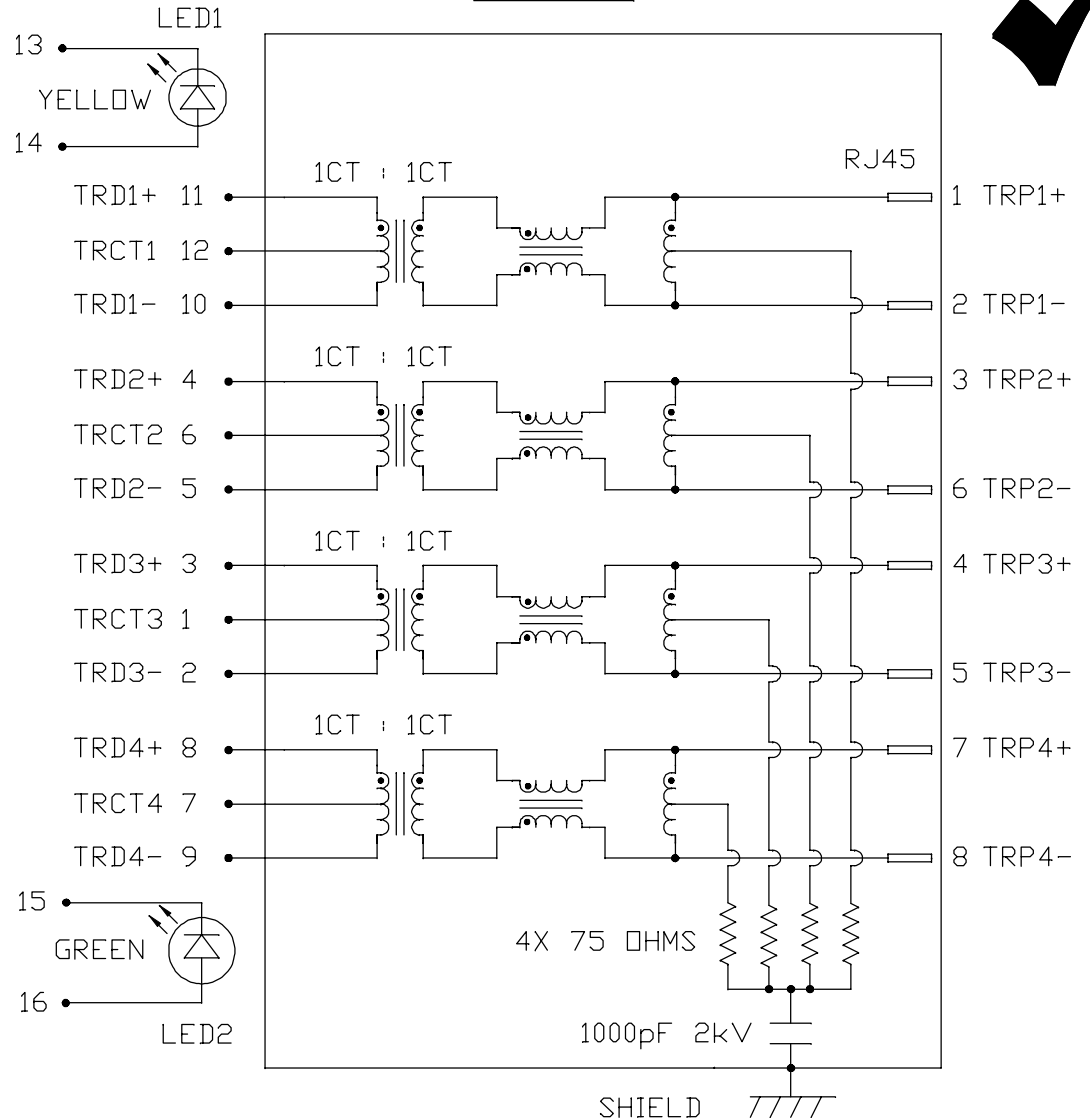
V<sub>F</sub> (FORWARD VOLTAGE) IF=20mA YELLOW 2.1V TYP.  
 λ<sub>D</sub> (DOMINANT WAVELENGTH) IF=20mA YELLOW 590nm TYP.

LED 2

V<sub>F</sub> (FORWARD VOLTAGE) IF=20mA GREEN 2.2V TYP.  
 λ<sub>D</sub> (DOMINANT WAVELENGTH) IF=20mA GREEN 570nm TYP.

OPERATING TEMPERATURE: 0°C TO +70°C.

SCHEMATIC



REV. : F PAGE : 2

ORIGINATED BY CHOW WANCHUNG	TITLE Gigabit MagJack® (12 cores, Tab Up) 0826-1A1T-23-F
DATE 2016-08-10	
DRAWN BY SKY YOU	
DATE 2016-08-10	

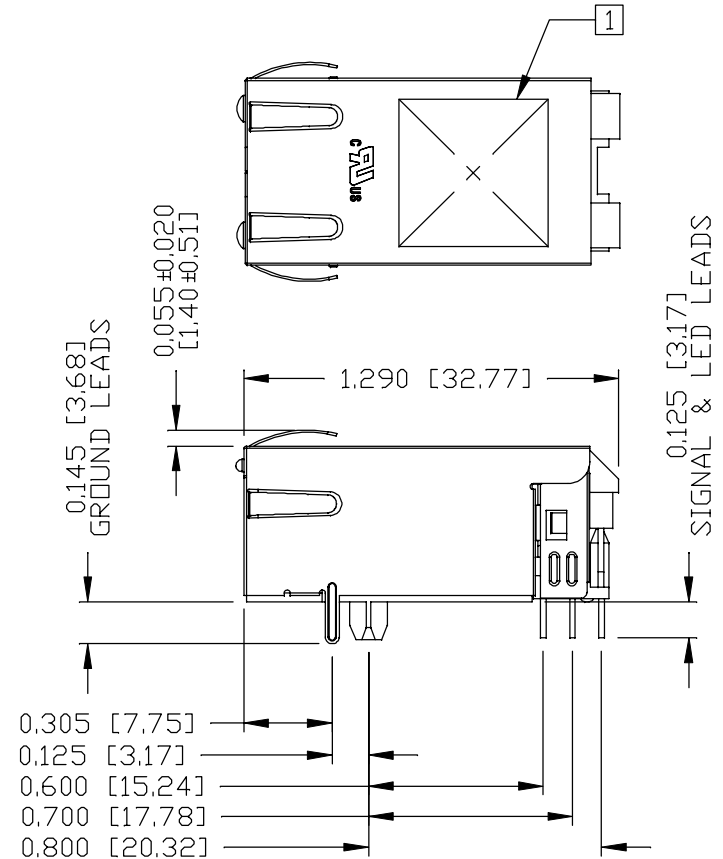
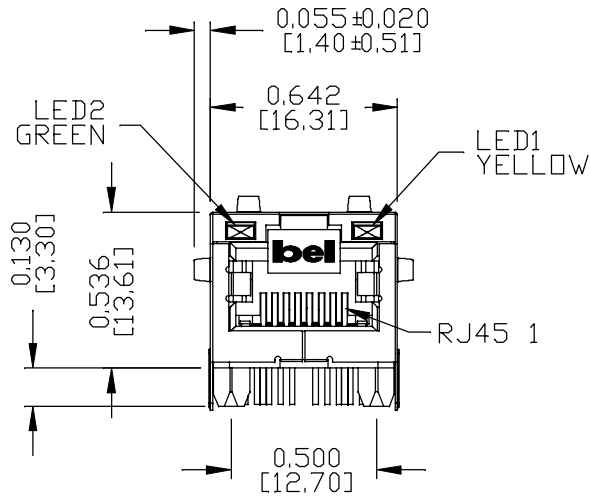
PART NO. / DRAWING NO. 08261A1T23-F	STANDARD DIM. TOL. IN INCH	[ ] METRIC DIM. AS REF.
FILE NAME 08261A1T23-F_F.DWG	.X	UNIT : INCH [mm]
	.XX	SCALE : N/A
	.XXX	SIZE : A4



THE INFORMATION CONTAINED HEREIN IS CONSIDERED "PROPRIETARY" TO BEL FUSE INC. AND SHALL NOT BE COPIED, REPRODUCED OR DISCLOSED WITHOUT THE WRITTEN APPROVAL OF BEL FUSE INC.

MECHANICAL SPECIFICATION

RoHS



NOTES:

- PLASTIC HOUSING: THERMOPLASTIC PA, BLACK  
FLAMMABILITY RATING UL 94V-0
- CONTACTS: 50 MICRO-INCH HARD GOLD PLATING OR EQUIVALENT,  
30 MICRO-INCH MIN NICKEL UNDERPLATE.
- OUTPUT PINS: TIN-COATED COPPER WIRE, DIA 0.018 INCH,  
100 MICRO-INCH MIN MATTE TIN. PINS ARE SOLDER DIPPED.
- METAL SHIELD: NICKEL PLATED ON COPPER ALLOY.  
(ALL GROUND LEADS ARE SOLDER DIPPED)


1. MARK PART WITH MFG LOGO, MFG NAME, PART NUMBER, DATE CODE.

 UL RECOGNIZED - FILE #E196366 AND E169987.

2. THE PRODUCT IS RoHS COMPLIANT.

3. JACK CAVITY CONFORMS TO FCC RULES AND REGULATIONS.

4. THE PART IS RECOMMENDED FOR WAVE SOLDERING. THE SUGGESTED PEAK WAVE SOLDERING CONDITION IS 260°C MAX AND 10 SECONDS MAX.

ORIGINATED BY ANTON LIAO DATE 2016-08-10		TITLE Gigabit MagJack® (12 cores, Tab Up) 0826-1A1T-23-F		PART NO. / DRAWING NO. 08261A1T23-F		STANDARD DIM. TOL. IN INCH		[ ] METRIC DIM. AS REF.		REV. : F	PAGE : 3
DRAWN BY JESSE LI DATE 2016-08-10		FILE NAME 08261A1T23-F_F.DWG		.X		UNIT : INCH [mm]		SCALE : N/A			
				.XX		SIZE : A4					
				.XXX		±0.010					

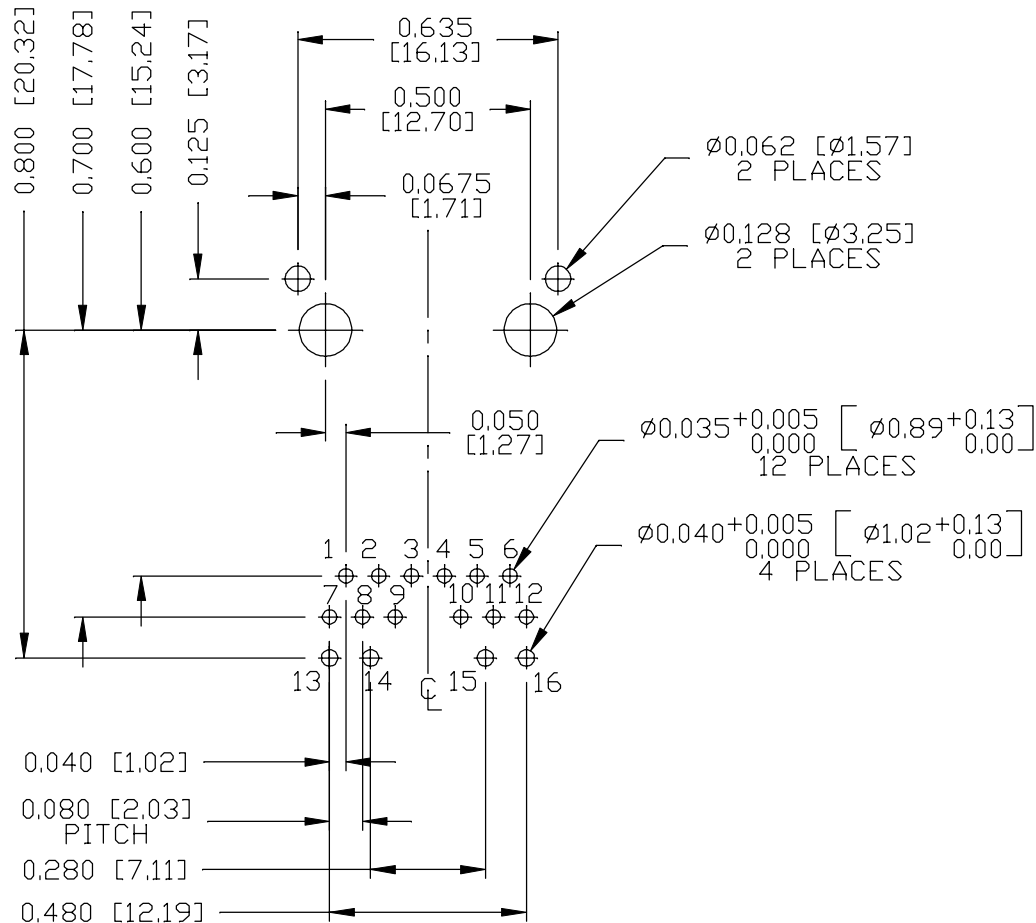
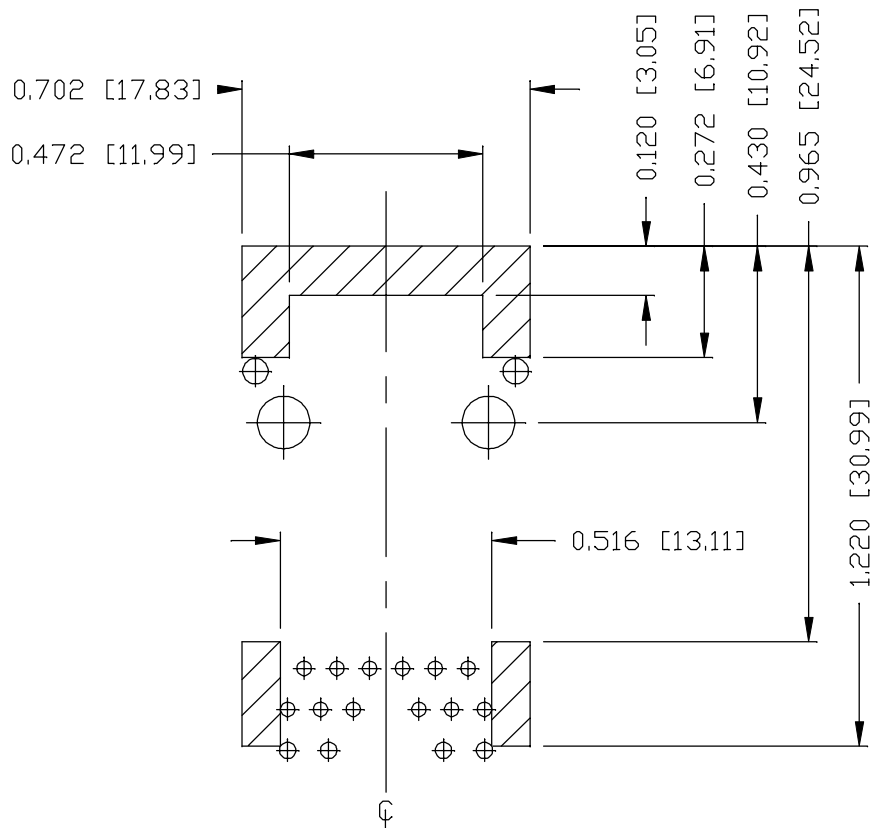
THE INFORMATION CONTAINED HEREIN IS CONSIDERED "PROPRIETARY" TO BEL FUSE INC. AND SHALL NOT BE COPIED, REPRODUCED OR DISCLOSED WITHOUT THE WRITTEN APPROVAL OF BEL FUSE INC.

RoHS



RECOMMENDED PCB FOOTPRINT

COMPONENT SIDE VIEW



NOTES

THE SHADED AREA ON THE CUSTOMER BOARD ARE RECOMMENDED TO BE CLEAR OFF ANY VIA HOLE OR COMPONENT PAD.

REV. : F PAGE : 4

ORIGINATED BY  
ANTON LIAO  
DATE 2016-08-10  
DRAWN BY  
JESSE LI  
DATE 2016-08-10

TITLE  
Gigabit MagJack®  
(12 cores, Tab Up)  
0826-1A1T-23-F

PART NO. / DRAWING NO.  
08261A1T23-F  
FILE NAME  
08261A1T23-F\_F.DWG

STANDARD DIM. TOL. IN INCH  
.X  
.XX  
.XXX ±0.004  
[ ] METRIC DIM. AS REF.  
UNIT : INCH [mm]  
SCALE : N/A  
SIZE : A4

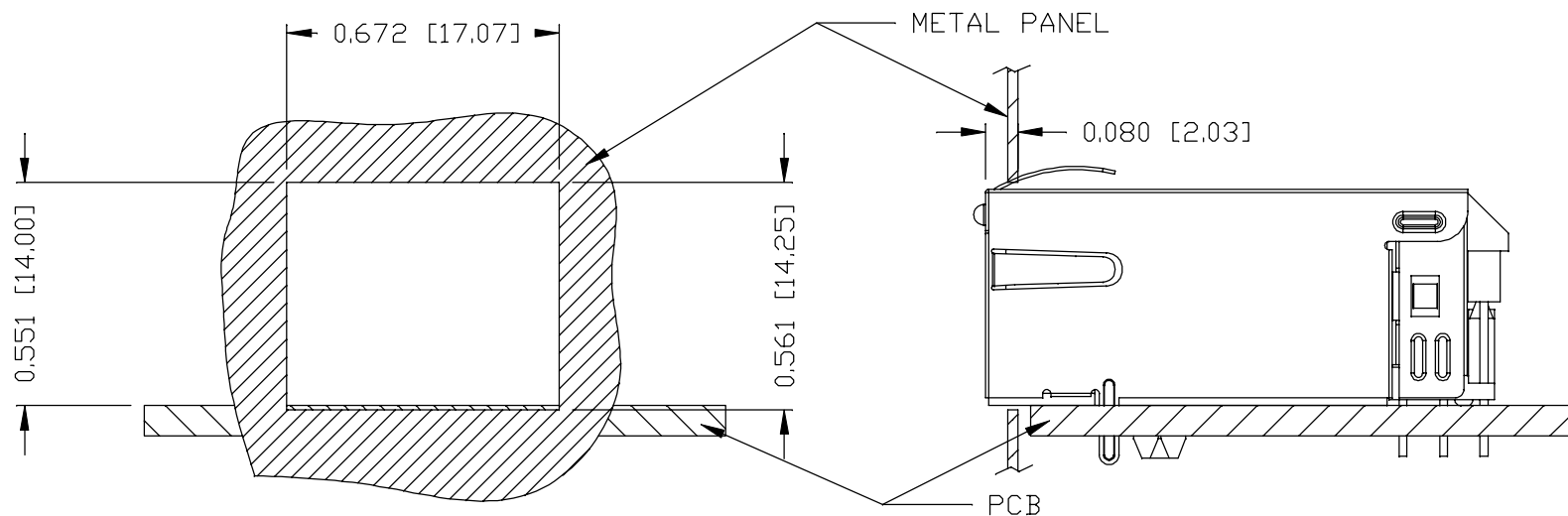


THE INFORMATION CONTAINED HEREIN IS CONSIDERED "PROPRIETARY" TO BEL FUSE INC. AND SHALL NOT BE COPIED, REPRODUCED OR DISCLOSED WITHOUT THE WRITTEN APPROVAL OF BEL FUSE INC.

RoHS



SUGGESTED PANEL OPENING



NOTE:

THE DISTANCE OF PANEL INSIDE SURFACE RELATIVE TO FRONT SURFACE OF PART IS ONLY A SUGGESTION. IN CASE THIS DISTANCE IS DIFFERENT, THE REQUIRED PANEL OPENING DIMENSIONS CHANGE ACCORDINGLY.

PACKING INFORMATION

PACKING TRAY : 0200-9999-F6 (TOP)

0200-9999-F7 (BOTTOM)

PACKING QUANTITY : 40 PCS FINISHED GOODS PER TRAY

10 TRAYS (400 PCS FINISHED GOODS) PER CARTON BOX

NOTE : CARDBOARDS ARE PLACED BETWEEN LAYERS OF PACKING TRAY INSIDE CARTON BOX (INCLUDE THE UPPERMOST AND LOWERMOST TRAY)

REV. : F	PAGE : 5
----------	----------

ORIGINATED BY ANTON LIAO DATE 2016-08-10 DRAWN BY JESSE LI DATE 2016-08-10	TITLE Gigabit MagJack® (12 cores, Tab Up) 0826-1A1T-23-F	PART NO. / DRAWING NO. 08261A1T23-F	STANDARD DIM. TOL. IN INCH .X	[ ] METRIC DIM. AS REF.
		FILE NAME 08261A1T23-F_F.DWG	.XX	UNIT : INCH [mm] SCALE : N/A
		.XXX ±0.004	SIZE : A4	

