

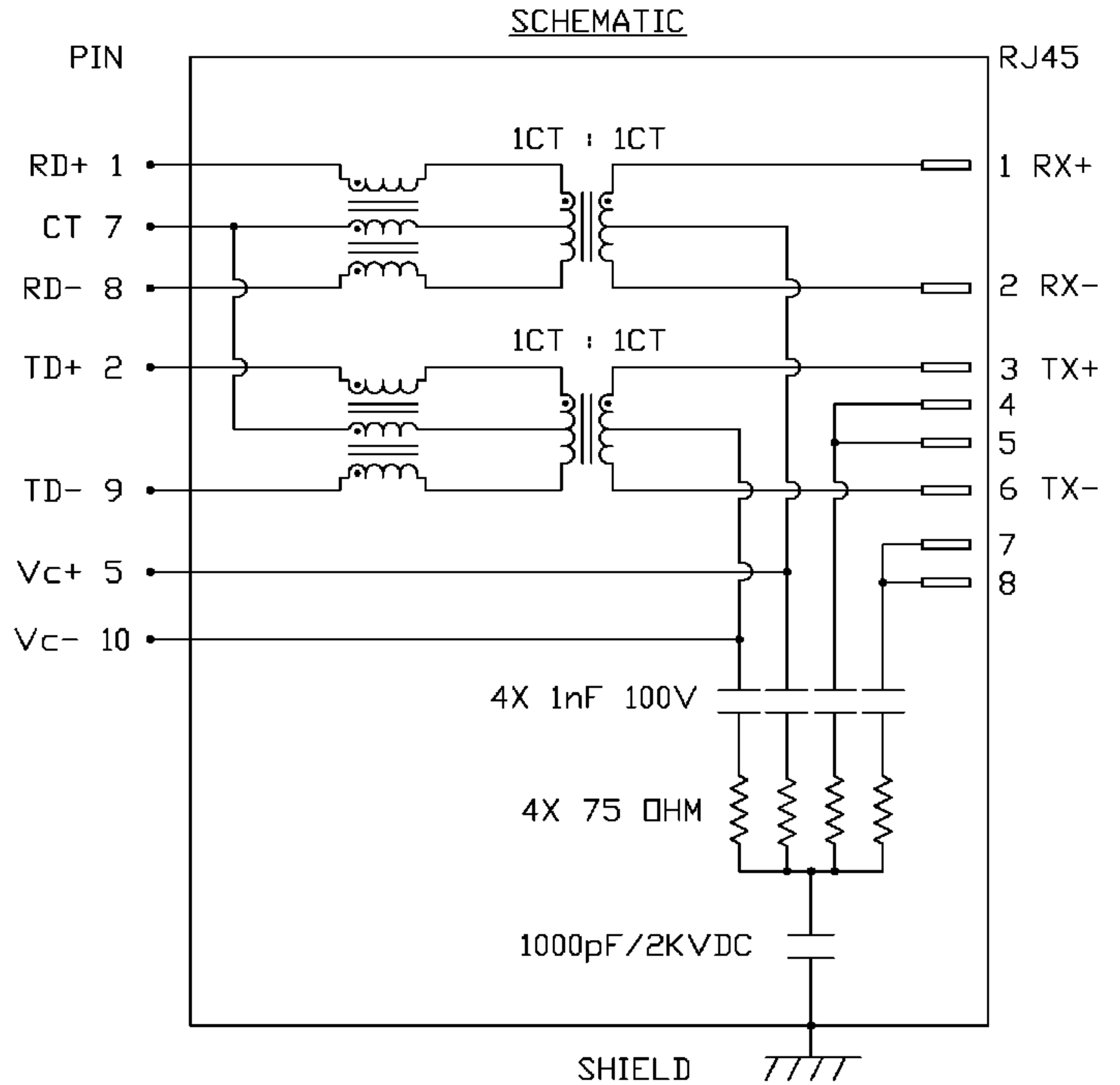
THE INFORMATION CONTAINED HEREIN IS CONSIDERED "PROPRIETARY" TO BEL FUSE INC. AND SHALL NOT BE COPIED, REPRODUCED OR DISCLOSED WITHOUT THE WRITTEN APPROVAL OF BEL FUSE INC.



PRELIMINARY

ELECTRICAL CHARACTERISTICS @ 25°C

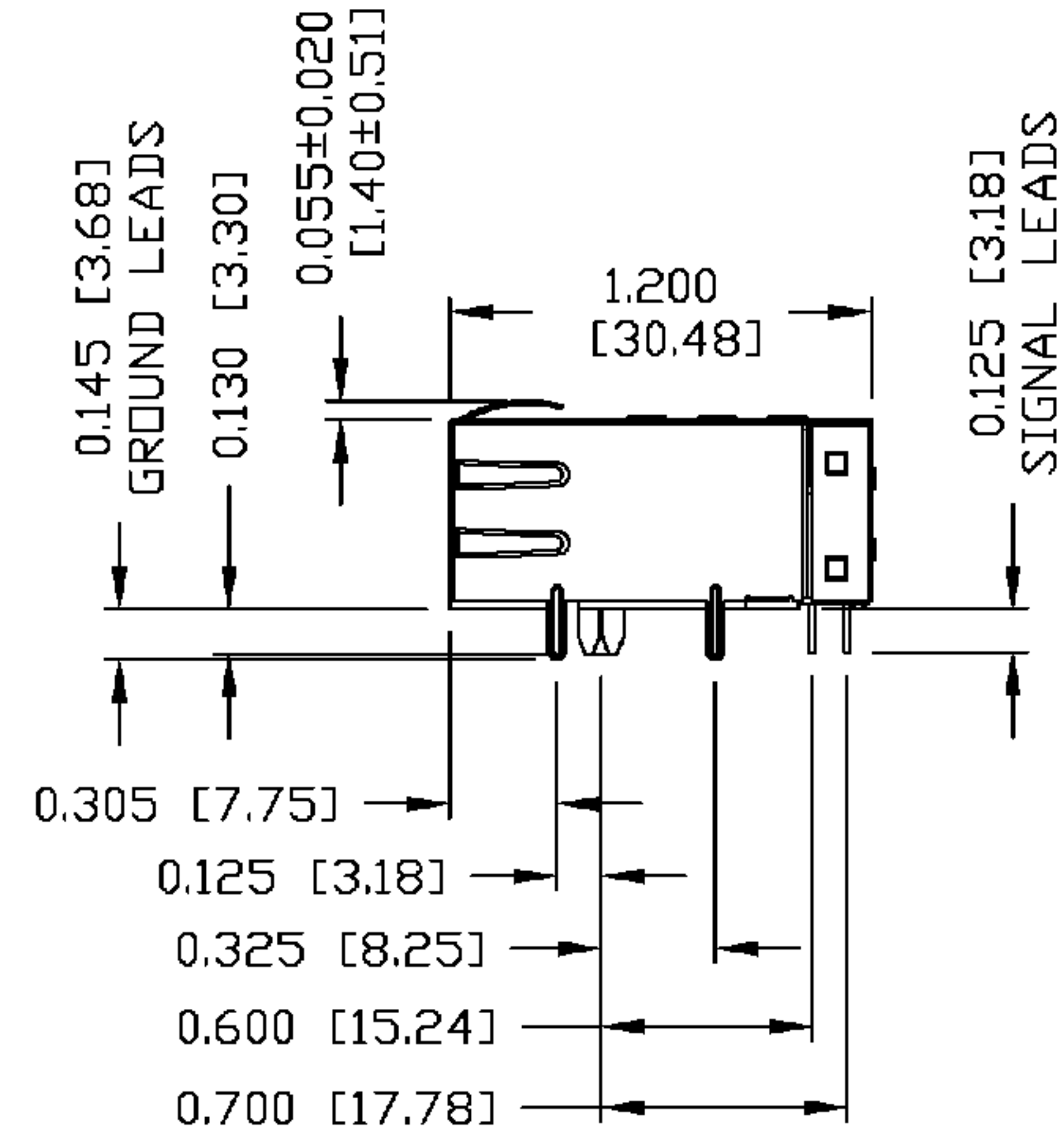
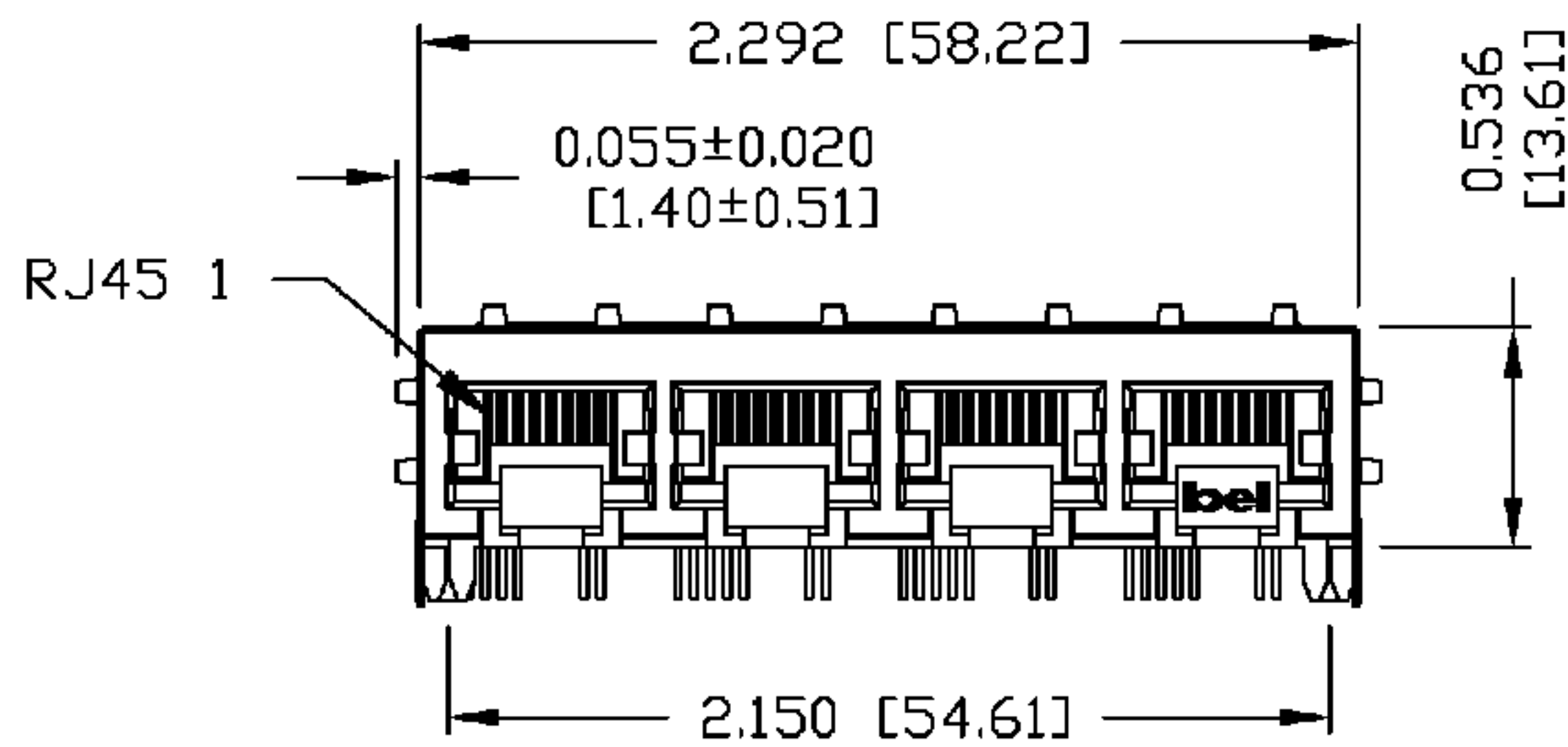
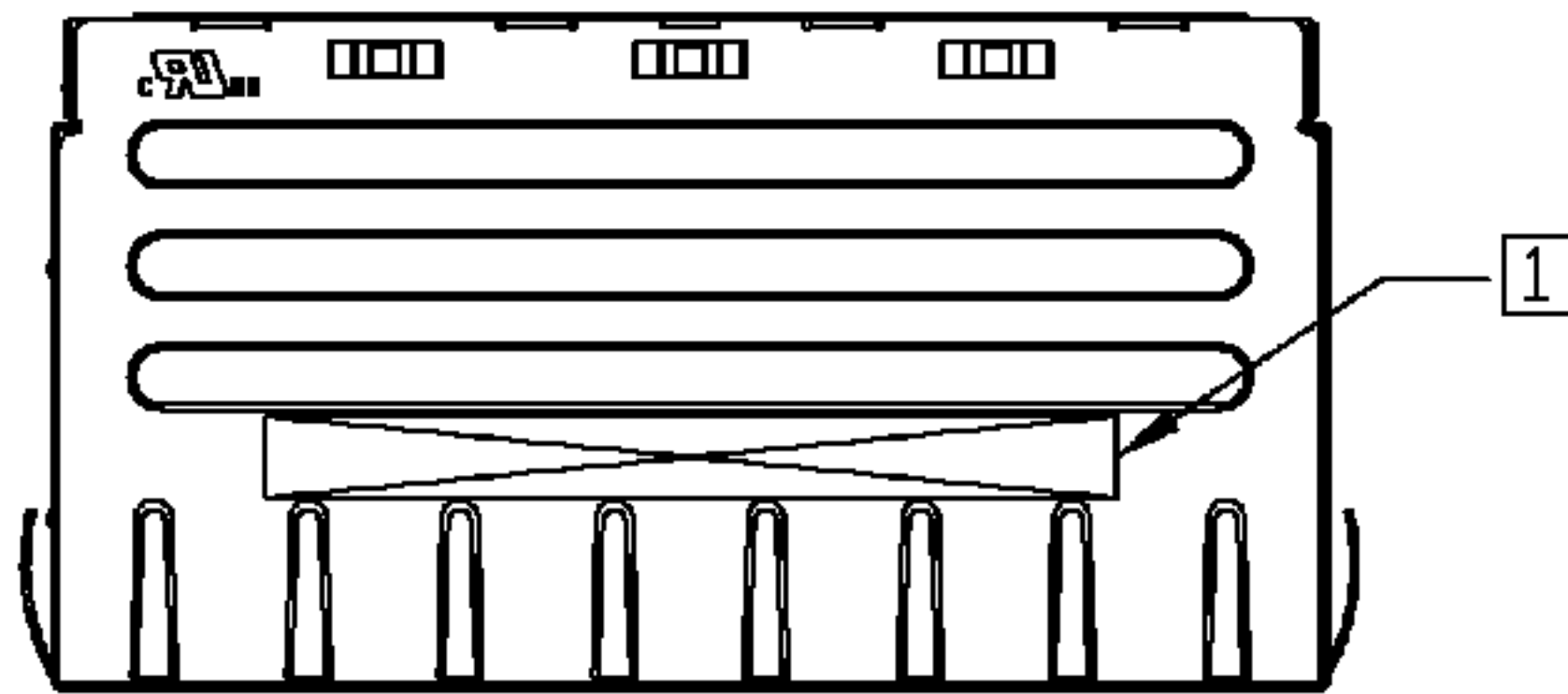
<p> TURNS RATIO DCL @ 100kHz/100mVRMS 8mA DC BIAS INSERTION LOSS 100KHz TO 100MHz RETURN LOSS (MIN.) 2MHz-30MHz 60MHz-80MHz LEAKAGE INDUCTANCE PRIMARY W/ SECONDARY SHORTED D.C. RESISTANCE (1-8)=(2-9) (RJ1-RJ2)=(RJ3-RJ6) INTERWINDING CAPACITANCE PER CHANNEL (PRI. to SEC.) CROSS TALK 100KHz - 100MHz HIPOT (ISOLATION VOLTAGE) BALANCED DC LINE CURRENT </p>	<p> 1CT : 1CT ±2% 350µH MIN. -1.5 dB MAX. -16 dB MIN. -10 dB MIN. 0.25µH MAX. @ 1MHz 1.40 ΩHM MAX. 1.0 ΩHM MAX. 40 pF MAX. -30 dB MIN. 2250 VDC 350mA MAX. @ 57 VDC CONTINUOUS 500mA MAX. @ 57 VDC FOR 200 MILLSECONDS </p>
--	---



<p>ORIGINATED BY CHUNG</p>	<p>DATE 10-26-06</p>	<p>TITLE 1X4 MagJack® For 10/100 VDIIP 0813-1X4T-AA-F</p>	<p>PART NO. / DRAWING NO. 08131X4TAA-F</p>	<p>STANDARD DIM. TOL. IN INCH .X .XX .XXX</p>	<p>[] METRIC DIM. AS REFERENCE UNIT : INCH [mm] SCALE : N/A</p>	<p>REV. : PA SIZE : A4 PAGE : 2</p>	
<p>DRAWN BY DE</p>	<p>DATE 10-26-06</p>	<p>FILE NAME 08131X4TAA-FPA.DWG</p>	<p>SHIELD TTTT</p>				

THE INFORMATION CONTAINED HEREIN IS CONSIDERED "PROPRIETARY" TO BEL FUSE INC. AND SHALL NOT BE COPIED, REPRODUCED OR DISCLOSED WITHOUT THE WRITTEN APPROVAL OF BEL FUSE INC.

PRELIMINARY



NOTES:

- PLASTIC HOUSING: THERMOPLASTIC PBT
FLAMMABILITY RATING UL 94V-0
- CONTACTS PLATING: 50 MICRO-INCH HARD GOLD PLATING
- PINS: TIN-COATED COPPER WIRE, DIA 0.018 INCH.
- METAL SHIELD: NICKEL PLATED ON COPPER ALLOY.
(ALL GROUND LEADS ARE SOLDER DIPPED)

[1] MARK PART WITH MFG. LOGO; MFG. NAME; PART NUMBER; DATE CODE.

UL US UL RECOGNIZED - FILE #E196366 AND E169987.

RoHS COMPLIANCE, PER EU DIRECTIVE 2002/95/EC.

JACK CAVITY CONFORMS TO FCC RULES AND REGULATIONS.

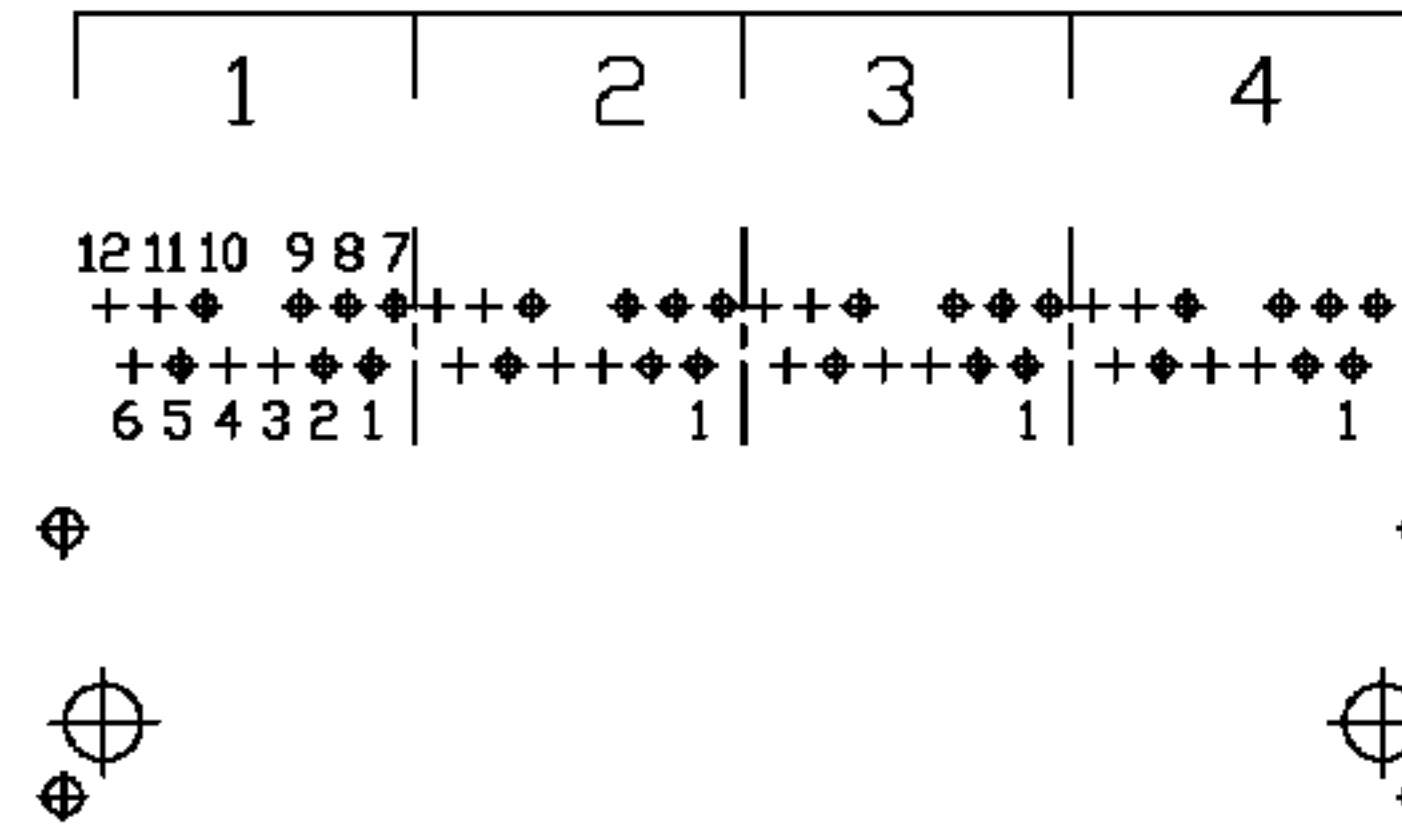
ORIGINATED BY BILL	DATE 10-26-06	TITLE 1X4 MagJack® For 10/100 VOIP	PART NO. / DRAWING NO. 08131X4TAA-F	STANDARD DIM.		[] METRIC DIM. AS REFERENCE		 COMPONENTS FOR A CONNECTED PLANET
				TOL. IN INCH		UNIT : INCH [mm]	REV. : PA	
DRAWN BY QIN	DATE 10-26-06	0813-1X4T-AA-F	FILE NAME 08131X4TAA-FPA.DWG	.X	SCALE : N/A	SIZE : A4		
				.XX			PAGE : 3	
				.XXX	±0.010			

THE INFORMATION CONTAINED HEREIN IS CONSIDERED "PROPRIETARY" TO BEL FUSE INC. AND SHALL NOT BE COPIED, REPRODUCED OR DISCLOSED WITHOUT THE WRITTEN APPROVAL OF BEL FUSE INC.



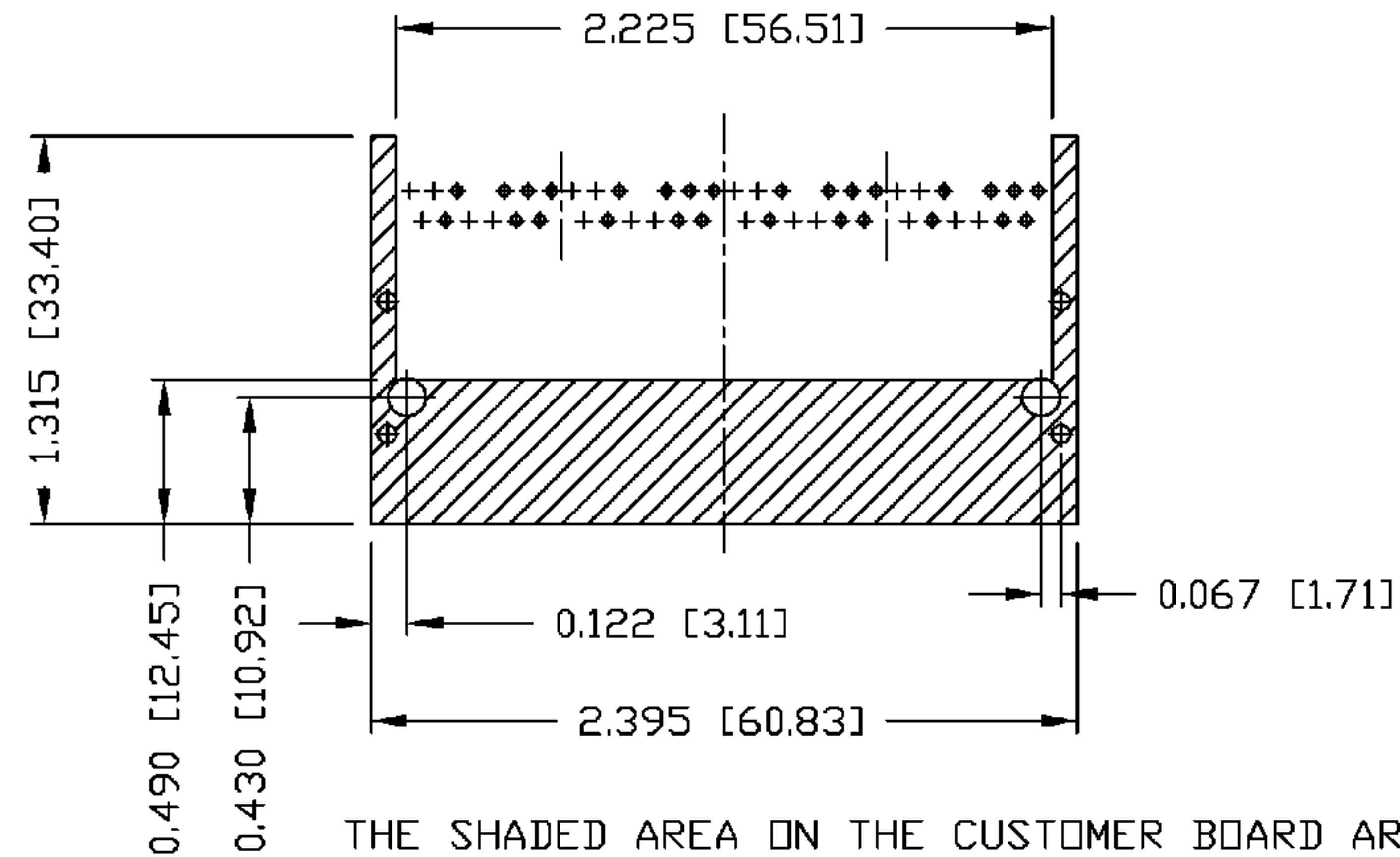
PRELIMINARY

PIN AND PORT ASSIGNMENT
(COMPONENT SIDE VIEW)



PIN-OUT INFORMATION
(COMPONENT SIDE VIEW)

12	NO PIN
11	NO PIN
10	Vc-
9	TD-
8	RD-
7	CT
6	NO PIN
5	Vc+
4	NO PIN
3	NO PIN
2	TD+
1	RD+



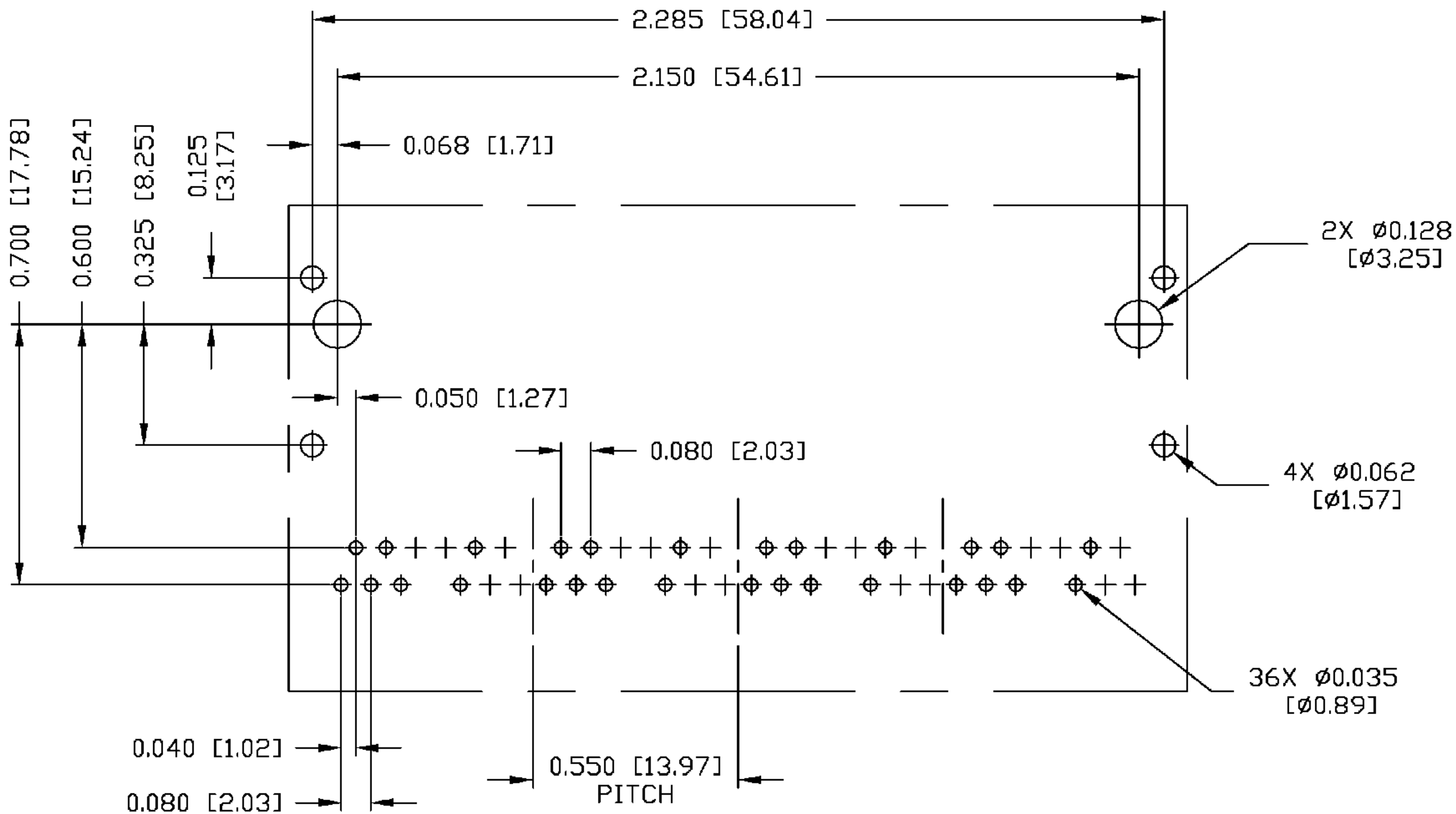
THE SHADED AREA ON THE CUSTOMER BOARD ARE RECOMMENDED TO BE CLEAR OFF ANY VIA HOLE OR COMPONENT PAD.

ORIGINATED BY	DATE	TITLE	PART NO. / DRAWING NO.	STANDARD DIM. TOL. IN INCH	[] METRIC DIM. AS REFERENCE	 COMPONENTS FOR A CONNECTED PLANET	
BILL	10-26-06	1X4 MagJack® For 10/100 VOIP 0813-1X4T-AA-F	08131X4TAA-F	.X	UNIT : INCH [mm]		REV. : PA
DRAWN BY	DATE		FILE NAME	.XX	SCALE : N/A		SIZE : A4
QIN	10-26-06		08131X4TAA-FPA.DWG	.XXX ±0.004			PAGE : 4

THE INFORMATION CONTAINED HEREIN IS CONSIDERED "PROPRIETARY" TO BEL FUSE INC. AND SHALL NOT BE COPIED, REPRODUCED OR DISCLOSED WITHOUT THE WRITTEN APPROVAL OF BEL FUSE INC.



PRELIMINARY



RECOMMENDED PCB FOOTPRINT
(COMPONENT SIDE VIEW)

ORIGINATED BY BILL	DATE 10-26-06	TITLE 1X4 MagJack® For 10/100 VOIP 0813-1X4T-AA-F	PART NO. / DRAWING NO. 08131X4TAA-F		STANDARD DIM. TOL. IN INCH		[] METRIC DIM. AS REFERENCE	
	DRAWN BY QIN		DATE 10-26-06	FILE NAME 08131X4TAA-FPA.DWG	.X .XX .XXX	±0.004	UNIT : INCH [mm] SCALE : N/A	REV. : PA SIZE : A4 PAGE : 5

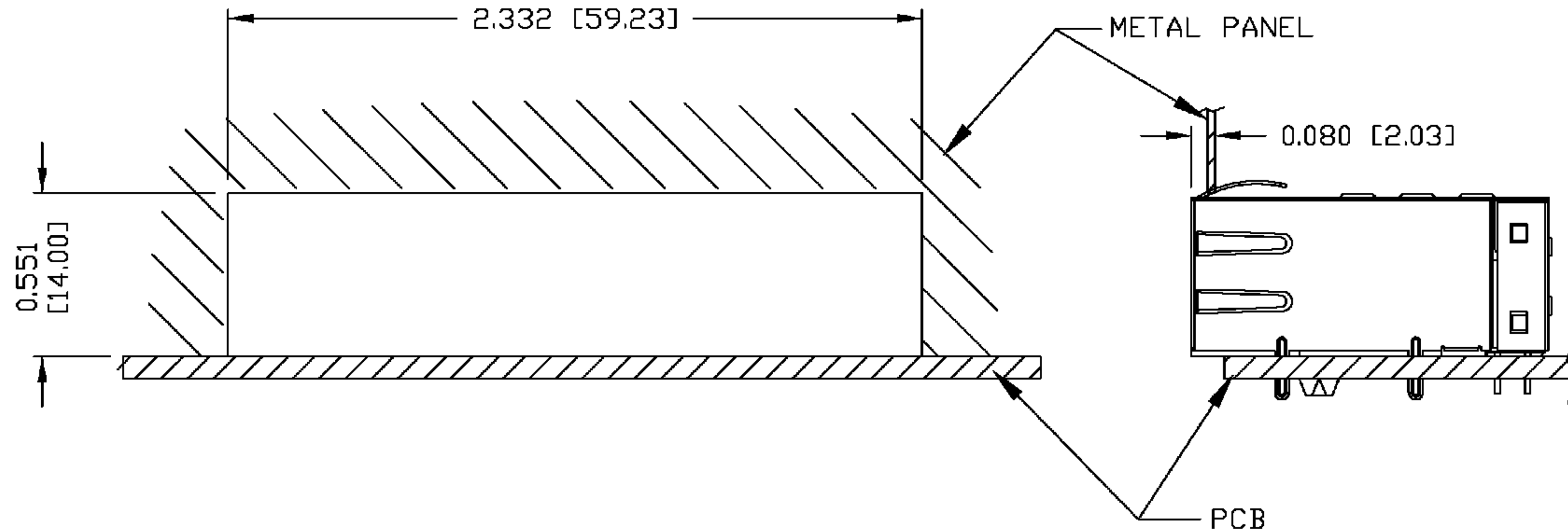


THE INFORMATION CONTAINED HEREIN IS CONSIDERED "PROPRIETARY" TO BEL FUSE INC. AND SHALL NOT BE COPIED, REPRODUCED OR DISCLOSED WITHOUT THE WRITTEN APPROVAL OF BEL FUSE INC.

PRELIMINARY



SUGGESTED PANEL OPENING



NOTES:

THE DISTANCE OF PANEL INSIDE SURFACE RELATIVE TO FRONT SURFACE OF PART IS ONLY A SUGGESTION. IN CASE THIS DISTANCE IS DIFFERENT, THE REQUIRED PANEL OPENING DIMENSIONS CHANGE ACCORDINGLY.

PACKING INFORMATION

PACKING TRAY: 0200-0148-37 (TOP)
0200-0148-38 (BOTTOM)

PACKING QUANTITY: 20 PCS FINISHED GOODS PER TRAY
8 TRAYS (160 PCS FINISHED GOODS) PER CARTON BOX

NOTE: CARDBOARDS ARE PLACED BETWEEN LAYERS OF PACKING TRAY INSIDE CARTON BOX
(INCLUDE THE UPPERMOST AND LOWERMOST TRAY)

ORIGINATED BY BILL	DATE 10-26-06	TITLE 1X4 MagJack® For 10/100 VOIP 0813-1X4T-AA-F	PART NO. / DRAWING NO. 08131X4TAA-F	STANDARD DIM.		[] METRIC DIM. AS REFERENCE		 COMPONENTS-OR-A-PLANET
				TOL. IN INCH	UNIT : INCH [mm]	REV. : PA		
DRAWN BY QIN	DATE 10-26-06		FILE NAME 08131X4TAA-FPA.DWG	.X		SCALE : N/A	SIZE : A4	
				.XX				
				.XXX	±0.004		PAGE : 6	