

THE INFORMATION CONTAINED HEREIN IS CONSIDERED 'PROPRIETARY' TO BEL FUSE INC. AND SHALL NOT BE COPIED, REPRODUCED OR DISCLOSED WITHOUT THE WRITTEN APPROVAL OF BEL FUSE INC.

RoHS  
2002/95/EC



PRELIMINARY

SCHEMATIC

ELECTRICAL CHARACTERISTICS @ 25°C

URNS RATIO

TP1	1CT : 1CT ±2%
TP2	1CT : 1CT ±2%
TP3	1CT : 1CT ±2%
TP4	1CT : 1CT ±2%

QCL @ 100kHz/100mVRMS

8mA DC BIAS (-40°C - +85°C) 350µH MIN.

INS. LOSS

0,1MHz TO 1MHz	-1,1 dB MAX
1MHz TO 65MHz	-0,5 dB MAX
65MHz TO 100MHz	-0,8 dB MAX
100MHz TO 125MHz	-1,2 dB MAX

RET. LOSS (MIN)

0,5MHz-40MHz	-18 dB
40MHz-100MHz	-12+20LOG(f/80MHz) dB

CROSS TALK

100kHz - 100MHz -33+20LOG(f/100MHz)dB MIN

CM TO CM REJ

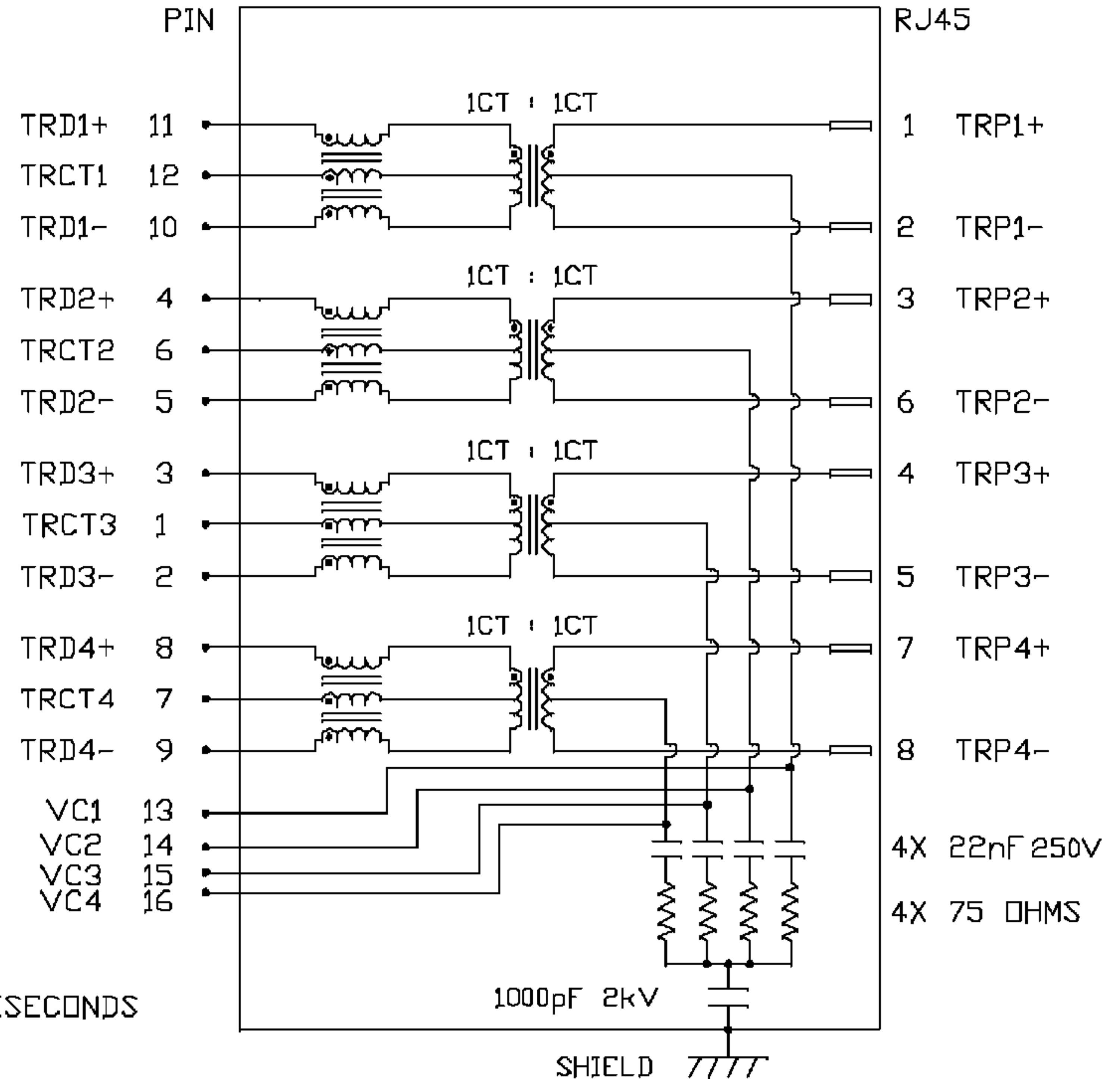
100kHz - 100MHz -30 dB MIN

CM TO DM REJ

100kHz - 100MHz -35 dB MIN

HIPOT (Isolation Voltage): 2250 VDC

BALANCED DC LINE CURRENT 350 mA MAX, @ 57 VDC CONTINUOUS  
500 mA MAX, @ 57 VDC FOR 200 MILLISECONDS



<b>ORIGINATED BY</b> CHUNG	<b>DATE</b> 12-11-06	<b>TITLE</b> glgabit MagJack® (EXTENDED TEMPERATURE RANGE For VOIP) 0813-1X1T-M1-F	<b>PART NO. / DRAWING NO.</b> 08131X1TM1-F	<b>STANDARD DIM.</b> TOL. IN INCH	<b>[ ] METRIC DIM. AS REFERENCE</b>		
<b>DRAWN BY</b> DE	<b>DATE</b> 12-11-06		<b>FILE NAME</b> 08131X1TM1-FPA,DWG	X XX XXX	UNIT : INCH [mm] SCALE : N/A	REV. : PA SIZE : A4 PAGE : 2	

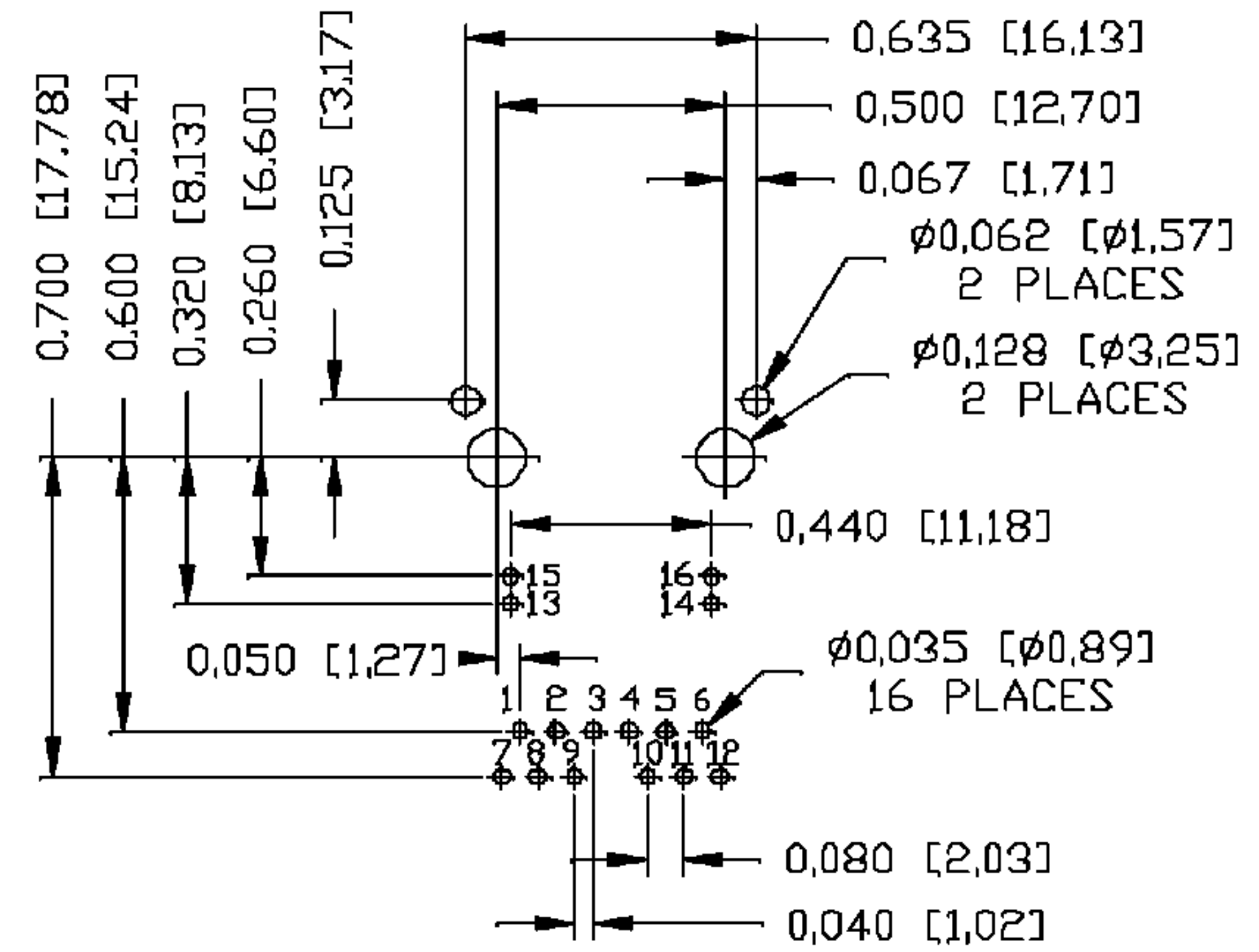
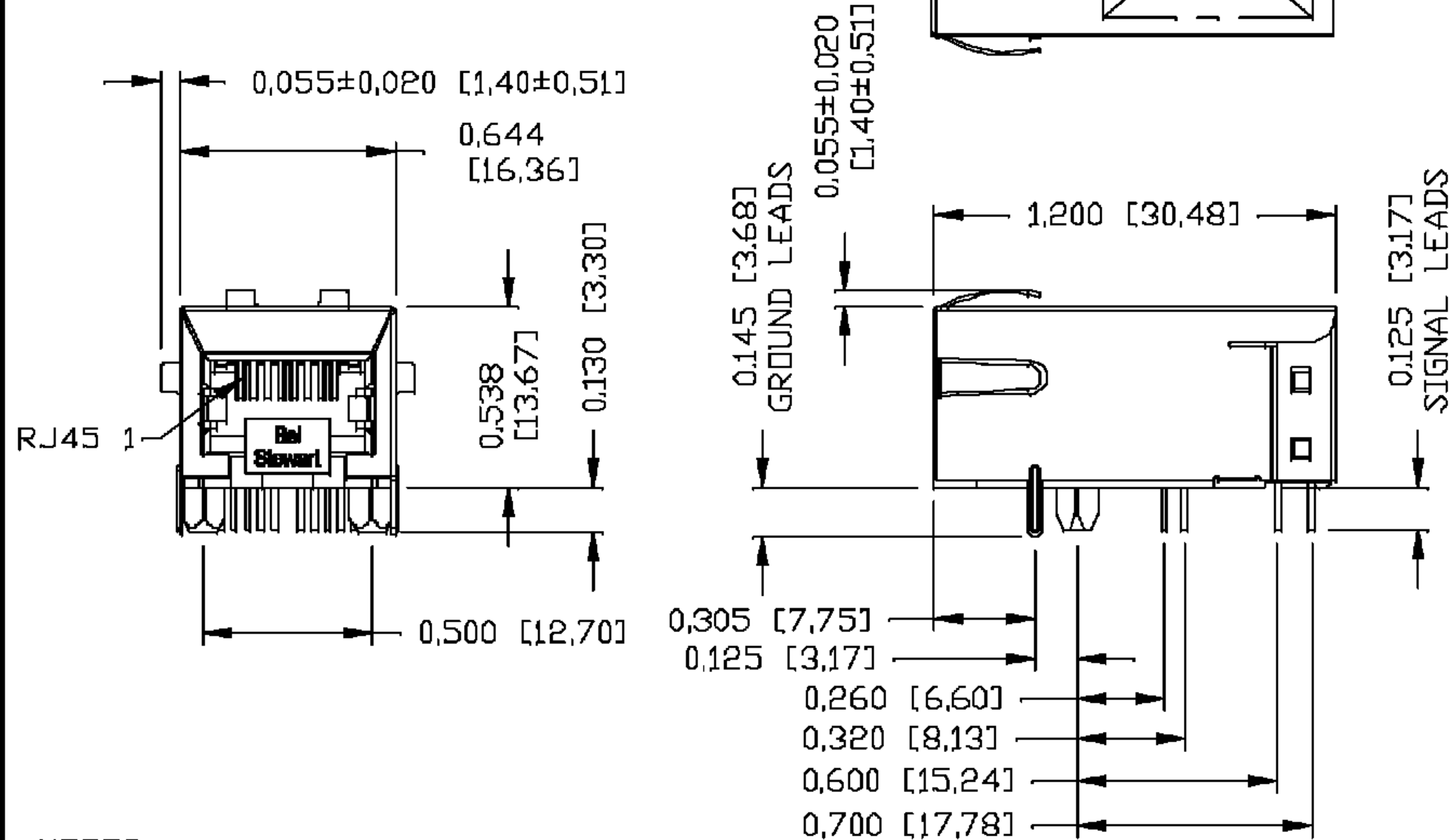
THE INFORMATION CONTAINED HEREIN IS CONSIDERED PROPRIETARY TO BEL FUSE INC. AND SHALL NOT BE COPIED, REPRODUCED OR DISCLOSED WITHOUT THE WRITTEN APPROVAL OF BEL FUSE INC.

MECHANICAL SPECIFICATION

PRELIMINARY



RECOMMENDED PCB FOOTPRINT  
COMPONENT SIDE VIEW



NOTES:

PLASTIC HOUSING: THERMOPLASTIC PBT  
FLAMMABILITY RATING UL 94V-0  
CONTACTS: 50 MICRO-INCH HARD GOLD PLATING  
WITH UNDERPLATING OF 50 MICRO-INCH NICKEL.  
OUTPUT PINS: TIN-COATED COPPER WIRE, DIA 0,018 INCH.  
METAL SHIELD: NICKEL PLATED ON COPPER ALLOY.  
(ALL GROUND LEAD ARE SOLDER DIPPED)

☐ MARK PART WITH MFG LOGO, MFG NAME, PART NUMBER AND DATE CODE

UL RECOGNIZED - FILE #E196366 AND E169987.  
JACK CAVITY CONFORMS TO FCC RULES AND REGULATIONS, 2, RoHS COMPLIANCE, PER EU DIRECTIVE 2002/95/EC

ORIGINATED BY	DATE	TITLE	PART NO. / DRAWING NO.	STANDARD DIM. TOL. IN INCH	[ ] METRIC DIM. AS REFERENCE
BILL	12-11-06	glgabl MagJack® (EXTENDED TEMPERATURE RANGE For VOIP) 0813-1X1T-M1-F	08131X1TM1-F	X	UNIT : INCH [mm] REV. : PA
DRAWN BY	DATE			XX	SCALE : N/A SIZE : A4
GIN	12-11-06		08131X1TM1-FPA.DWG	XXX ±0,010	FIGURE SYMBOL PAGE : 3

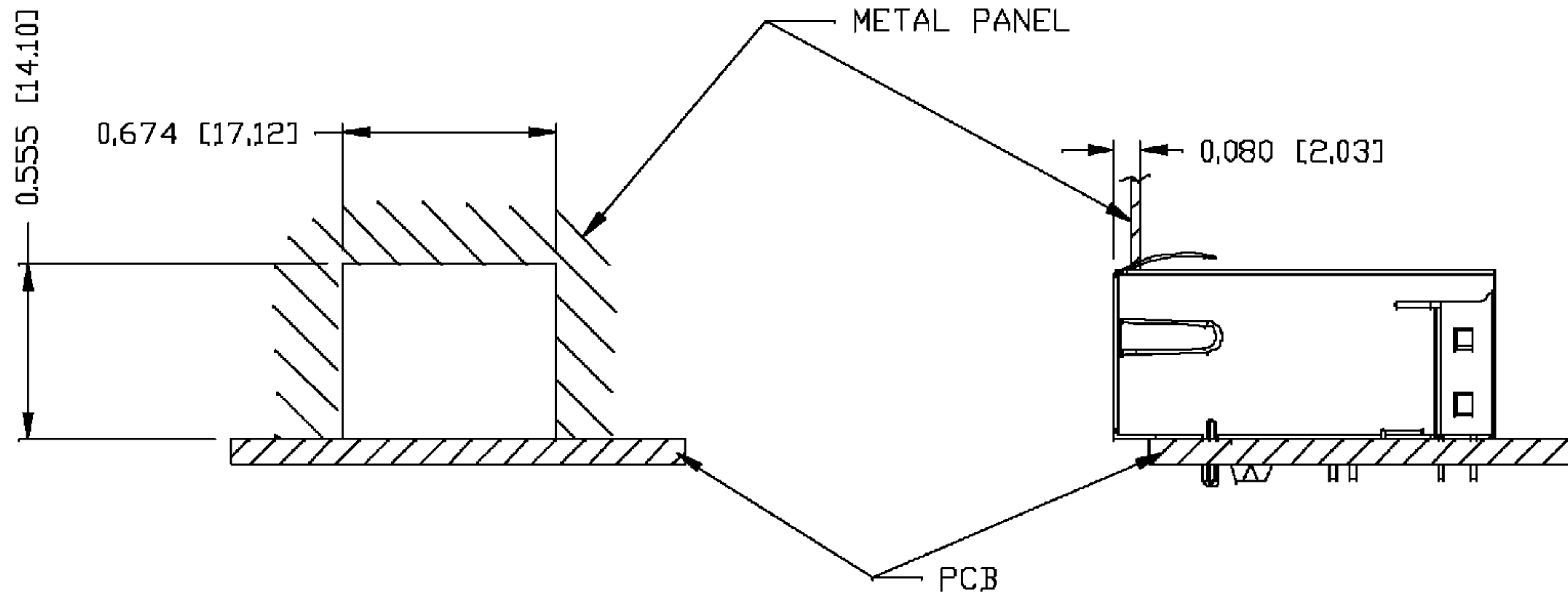


THE INFORMATION CONTAINED HEREIN IS CONSIDERED 'PROPRIETARY' TO BEL FUSE INC, AND SHALL NOT BE COPIED, REPRODUCED OR DISCLOSED WITHOUT THE WRITTEN APPROVAL OF BEL FUSE INC.

PRELIMINARY



SUGGESTED PANEL OPENING



NOTES:

THE DISTANCE OF PANEL INSIDE SURFACE RELATIVE TO FRONT SURFACE OF PART IS ONLY A SUGGESTION, IN CASE THIS DISTANCE IS DIFFERENT, THE REQUIRED PANEL OPENING DIMENSIONS CHANGE ACCORDINGLY.

PACKING INFORMATION

PACKING TRAY : 0200-9999-F1(TOP)

0200-9999-F2(BOTTOM)

PACKING QUANTITY : 40 PCS FINISHED GOODS PER TRAY

10 TRAYS (400 PCS FINISHED GOODS) PER CARTON BOX

NOTE: CARDBOARDS ARE PLACED BETWEEN LAYERS OF PACKING TRAY INSIDE CARTON BOX (INCLUDE THE UPPERMOST AND LOWERMOST TRAY)

ORIGINATED BY BILL	DATE 12-11-06	TITLE glgabl't MagJack® (EXTENDED TEMPERATURE RANGE For VOIP) 0813-1X1T-M1-F	PART NO. / DRAWING NO. 08131X1TM1-F	STANDARD DIM.		[ ] METRIC DIM. AS REFERENCE		
				TOL. IN INCH		UNIT : INCH [mm]	REV. : PA	
DRAWN BY QIN	DATE 12-11-06	FILE NAME 08131X1TM1-FPA.DWG	.X		SCALE : N/A	SIZE : A4		
			.XX			PAGE : 4		
			.XXX	±0.004				