

THE INFORMATION CONTAINED HEREIN IS CONSIDERED "PROPRIETARY" TO BEL FUSE INC. AND SHALL NOT BE COPIED, REPRODUCED OR DISCLOSED WITHOUT THE WRITTEN APPROVAL OF BEL FUSE INC.

PRELIMINARY

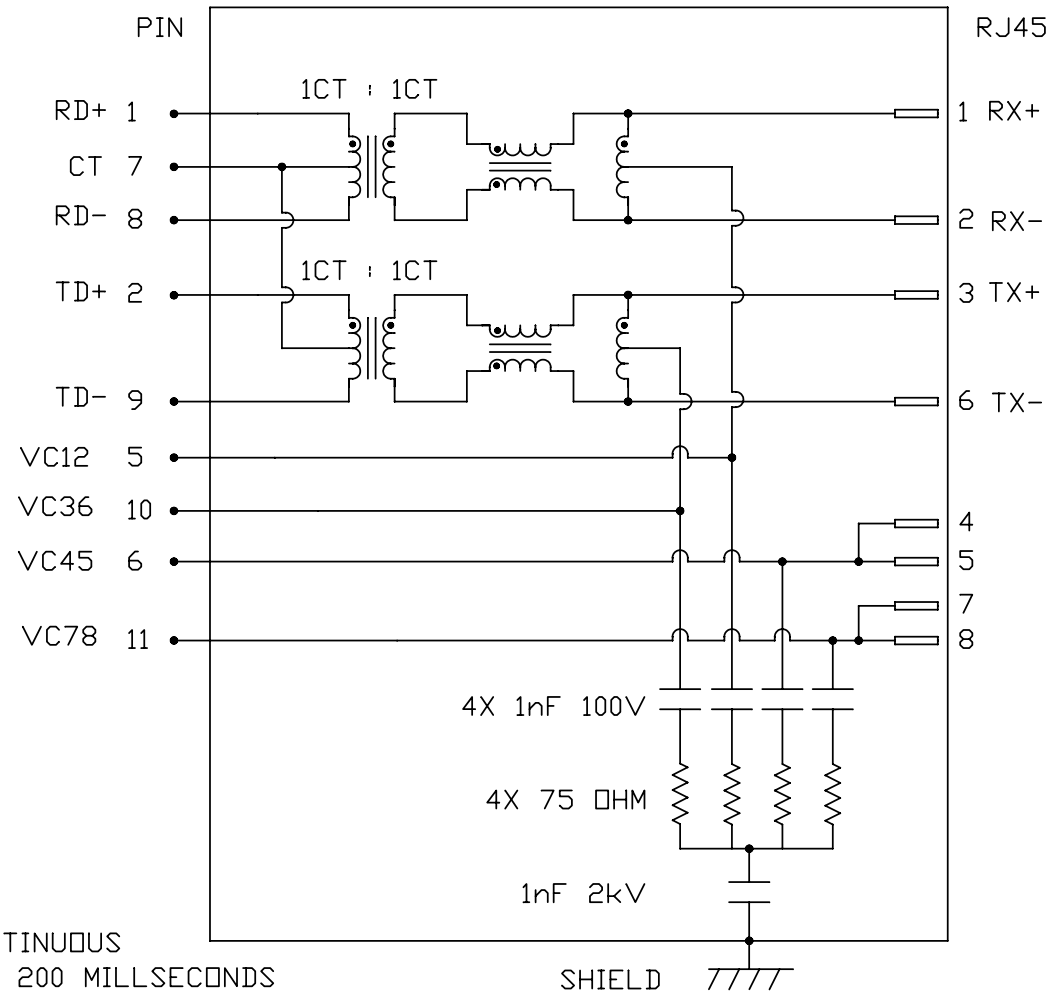
RoHS  
2002/95/EC

Additional Resources: [Product Page](#) [3D Model](#) [PCB Footprint](#) [Technical Documentation](#)

ELECTRICAL CHARACTERISTICS @ 25°C

URNS RATIO	1CT : 1CT ±2%
□CL @ 100kHz/100mVRMS 8mA DC BIAS	350µH MIN.
INSERTION LOSS 100KHz TO 100MHZ	-1.5 dB MAX.
RETURN LOSS (MIN.) 2MHz-30MHz 60MHz-80MHz	-16 dB MIN. -10 dB MIN.
D.C. RESISTANCE (8-1)=(9-2) (RJ1-RJ2)=(RJ3-RJ6)	1.0 ΩHM MAX. 1.40 ΩHM MAX.
INTERWINDING CAPACITANCE PER CHANNEL (PRI. to SEC.)	40 pF MAX.
CROSS TALK 100KHz - 100MHZ	-30 dB MIN.
HIPOT (ISOLATION VOLTAGE) 100% OF PRODUCTION TESTED TO COMPLY WITH IEEE 802.3 ISOLATION REQUIREMENTS	2250 VDC
BALANCED DC LINE CURRENT	350mA MAX. @ 57 VDC CONTINUOUS 500mA MAX. @ 57 VDC FOR 200 MILLSECONDS
OPERATING TEMPERATURE:	-40°C TO 85°C

SCHEMATIC



<b>ORIGINATED BY</b> CHOW WANGCHUNG	<b>DATE</b> 04-07-09	<b>TITLE</b> 10/100 MagJack® (PoE, Tab Down) Extended temperature of -57 0813-1X1T-FP-F PATENTED	<b>PART NO. / DRAWING NO.</b> 08131X1TFP-F	<b>STANDARD DIM.</b> TOL. IN INCH	[ ] METRIC DIM. AS REFERENCE
<b>DRAWN BY</b> LI YONGFENG	<b>DATE</b> 04-07-09		<b>FILE NAME</b> 08131X1TFP-F_PB.DWG	.X .XX .XXX	UNIT : INCH [mm] SCALE : N/A



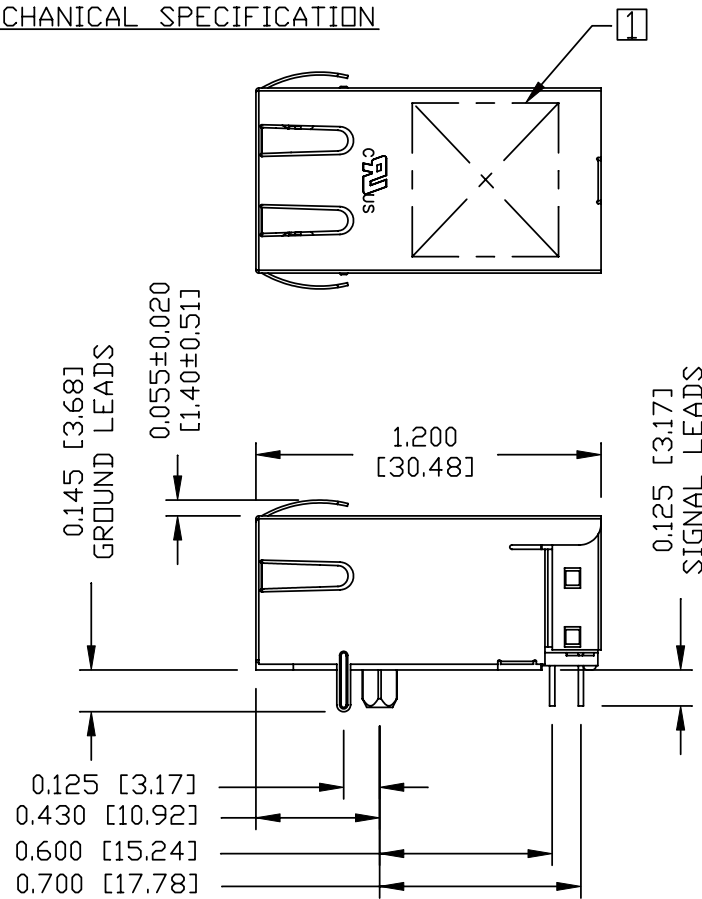
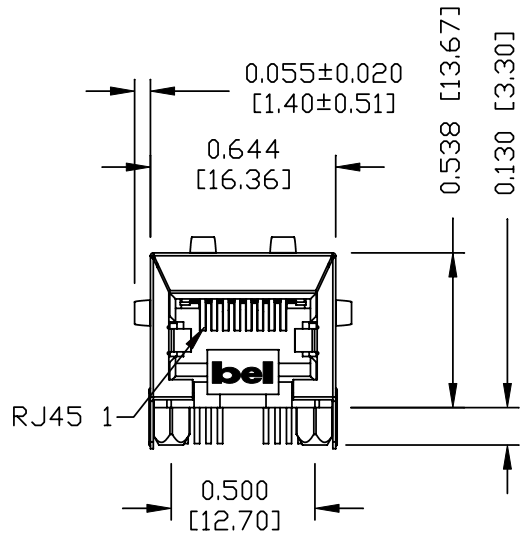
THE INFORMATION CONTAINED HEREIN IS CONSIDERED "PROPRIETARY" TO BEL FUSE INC. AND SHALL NOT BE COPIED, REPRODUCED OR DISCLOSED WITHOUT THE WRITTEN APPROVAL OF BEL FUSE INC.

PRELIMINARY

MECHANICAL SPECIFICATION

RoHS  
2002/95/EC

Additional Resources: Product Page 3D Model PCB Footprint Technical Documentation



NOTES:

- PLASTIC HOUSING: THERMOPLASTIC PBT
- FLAMMABILITY RATING UL 94V-0
- CONTACTS: 50 MICRO-INCH HARD GOLD PLATING WITH UNDERPLATING OF 50 MICRO-INCH NICKEL.
- OUTPUT PINS: TIN-COATED COPPER WIRE, DIA 0.018 INCH.
- METAL SHIELD: NICKEL PLATED ON COPPER ALLOY. (ALL GROUND LEAD ARE SOLDER DIPPED)
- JACK CAVITY CONFORMS TO FCC RULES AND REGULATIONS.

1. MARK PART WITH MFG LOGO, MFG NAME, PART NUMBER, DATE CODE AND PATENTED.

2. RoHS COMPLIANCE, PER EU DIRECTIVE 2002/95/EC.

3. THE PRODUCT IS PATENTED, THE PATENT NUMBER IS U.S. PAT. 5,736,910.

ORIGINATED BY	DATE	TITLE	PART NO. / DRAWING NO.	STANDARD DIM. TOL. IN INCH	[ ] METRIC DIM. AS REFERENCE
LIU QIN	04-07-09	10/100 MagJack® (PoE, Tab Down)	08131X1TFP-F	.X	UNIT : INCH [mm] REV. : PB
DRAWN BY	DATE	Extended temperature of -57	FILE NAME	.XX	SCALE : N/A SIZE : A4
XIAN JIAXIN	04-07-09	0813-1X1T-FP-F PATENTED	08131X1TFP-F_PB.DWG	.XXX ±0.010	PAGE : 3



THE INFORMATION CONTAINED HEREIN IS CONSIDERED "PROPRIETARY" TO BEL FUSE INC. AND SHALL NOT BE COPIED, REPRODUCED OR DISCLOSED WITHOUT THE WRITTEN APPROVAL OF BEL FUSE INC.

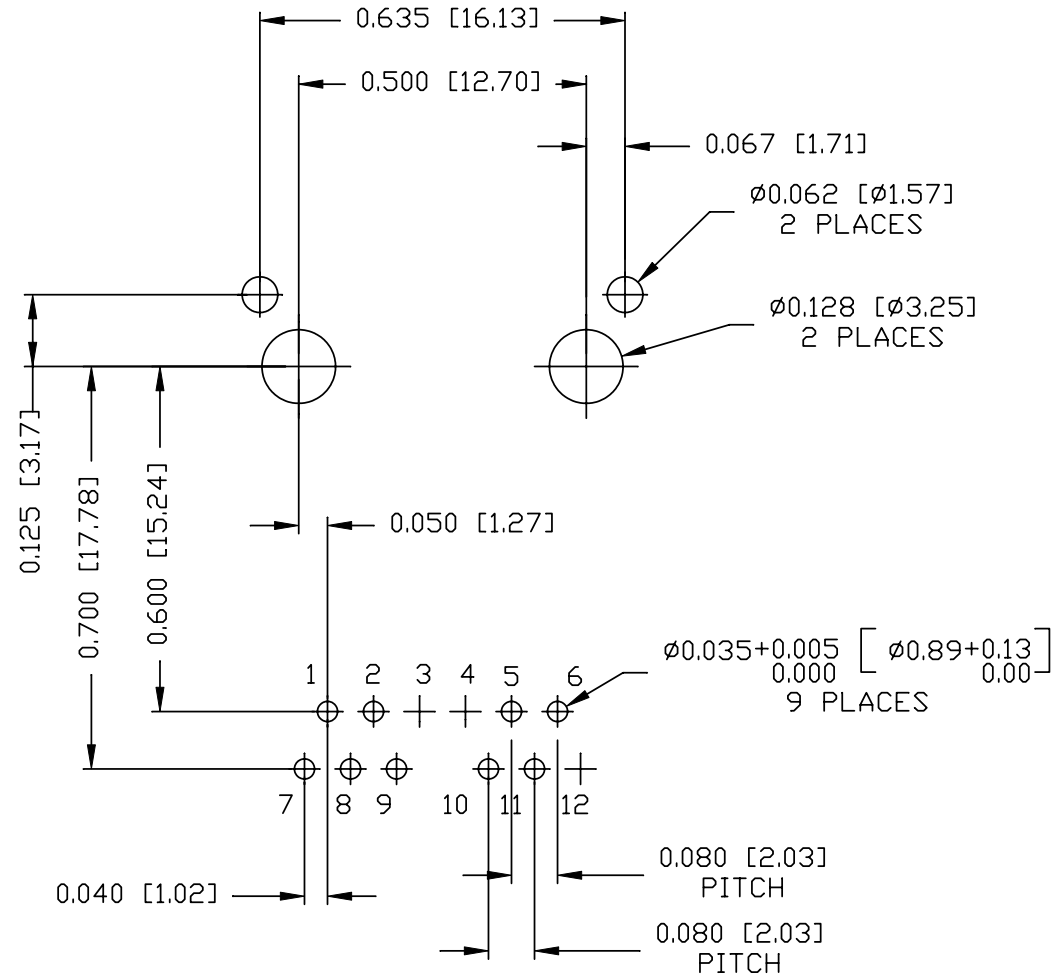
RECOMMENDED PCB FOOTPRINT  
COMPONENT SIDE VIEW

PRELIMINARY

RoHS  
2002/95/EC



Additional Resources: [Product Page](#) [3D Model](#) [PCB Footprint](#) [Technical Documentation](#)



ORIGINATED BY	DATE	TITLE	PART NO. / DRAWING NO.	STANDARD DIM.	[ ] METRIC DIM. AS REFERENCE	
LIU QIN	04-07-09	10/100 MagJack® (PoE, Tab Down)	08131X1TFP-F	TOL. IN INCH	UNIT : INCH [mm]	REV. : PB
DRAWN BY	DATE	Extended temperature of -57	FILE NAME	.X	SCALE : N/A	SIZE : A4
XIAN JIAXIN	04-07-09	0813-1X1T-FP-F PATENTED	08131X1TFP-F_PB.DWG	.XX		PAGE : 4
				.XXX		±0.004



THE INFORMATION CONTAINED HEREIN IS CONSIDERED "PROPRIETARY" TO BEL FUSE INC. AND SHALL NOT BE COPIED, REPRODUCED OR DISCLOSED WITHOUT THE WRITTEN APPROVAL OF BEL FUSE INC.

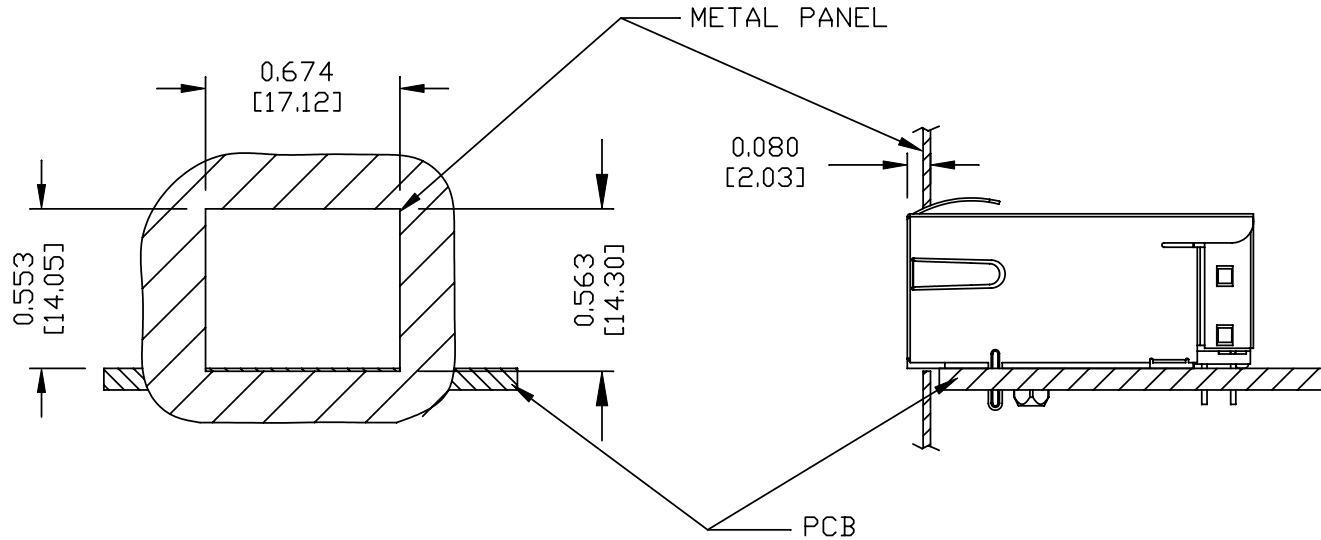
PRELIMINARY

RoHS  
2002/95/EC



Additional Resources: Product Page 3D Model PCB Footprint Technical Documentation

SUGGESTED PANEL OPENING



NOTES:

THE DISTANCE OF PANEL INSIDE SURFACE RELATIVE TO FRONT SURFACE OF PART IS ONLY A SUGGESTION. IN CASE THIS DISTANCE IS DIFFERENT, THE REQUIRED PANEL OPENING DIMENSIONS CHANGE ACCORDINGLY.  
PACKING INFORMATION

PACKING TRAY : 0200-9999-F1(TOP)  
0200-9999-F2(BOTTOM)

PACKING QUANTITY : 40 PCS FINISHED GOODS PER TRAY  
10 TRAYS (400 PCS FINISHED GOODS) PER CARTON BOX

NOTER: CARDBOARDS ARE PLACED BETWEEN LAYERS OF PACKING TRAY INSIDE CARTON BOX  
(INCLUDE THE UPPERMOST AND LOWERMOST TRAY)

ORIGINATED BY LIU QIN	DATE 04-07-09	TITLE 10/100 MagJack® (PoE, Tab Down) Extended temperature of -57 0813-1X1T-FP-F PATENTED	PART NO. / DRAWING NO. 08131X1TFP-F	STANDARD DIM. TOL. IN INCH	[ ] METRIC DIM. AS REFERENCE
	DRAWN BY XIAN JIAXIN		DATE 04-07-09	FILE NAME 08131X1TFP-F_PB.DWG	.X .XX .XXX ±0.004

