

THE INFORMATION CONTAINED HEREIN IS CONSIDERED 'PROPRIETARY' TO BEL FUSE INC. AND SHALL NOT BE COPIED, REPRODUCED OR DISCLOSED WITHOUT THE WRITTEN APPROVAL OF BEL FUSE INC.

PRELIMINARY



ELECTRICAL CHARACTERISTICS @ 25°C

TURNS RATIO

TP1	1CT : 1CT ±2%
TP2	1CT : 1CT ±2%
TP3	1CT : 1CT ±2%
TP4	1CT : 1CT ±2%

□CL @ 100kHz/100mVRMS
8mA DC BIAS

350µH MIN.

INS. LOSS

0.1MHz TO 1MHz	-1.1 dB MAX
1MHz TO 65MHz	-0.5 dB MAX
65MHz TO 100MHz	-0.8 dB MAX
100MHz TO 125MHz	-1.2 dB MAX

RET. LOSS (MIN)

0.5MHz-40MHz	-18 dB
40MHz-100MHz	-12+20LOG(f/80MHz) dB

CM TO CM REJ

100kHz - 100MHz -30 dB MIN

CM TO DM REJ

100kHz - 100MHz -35 dB MIN

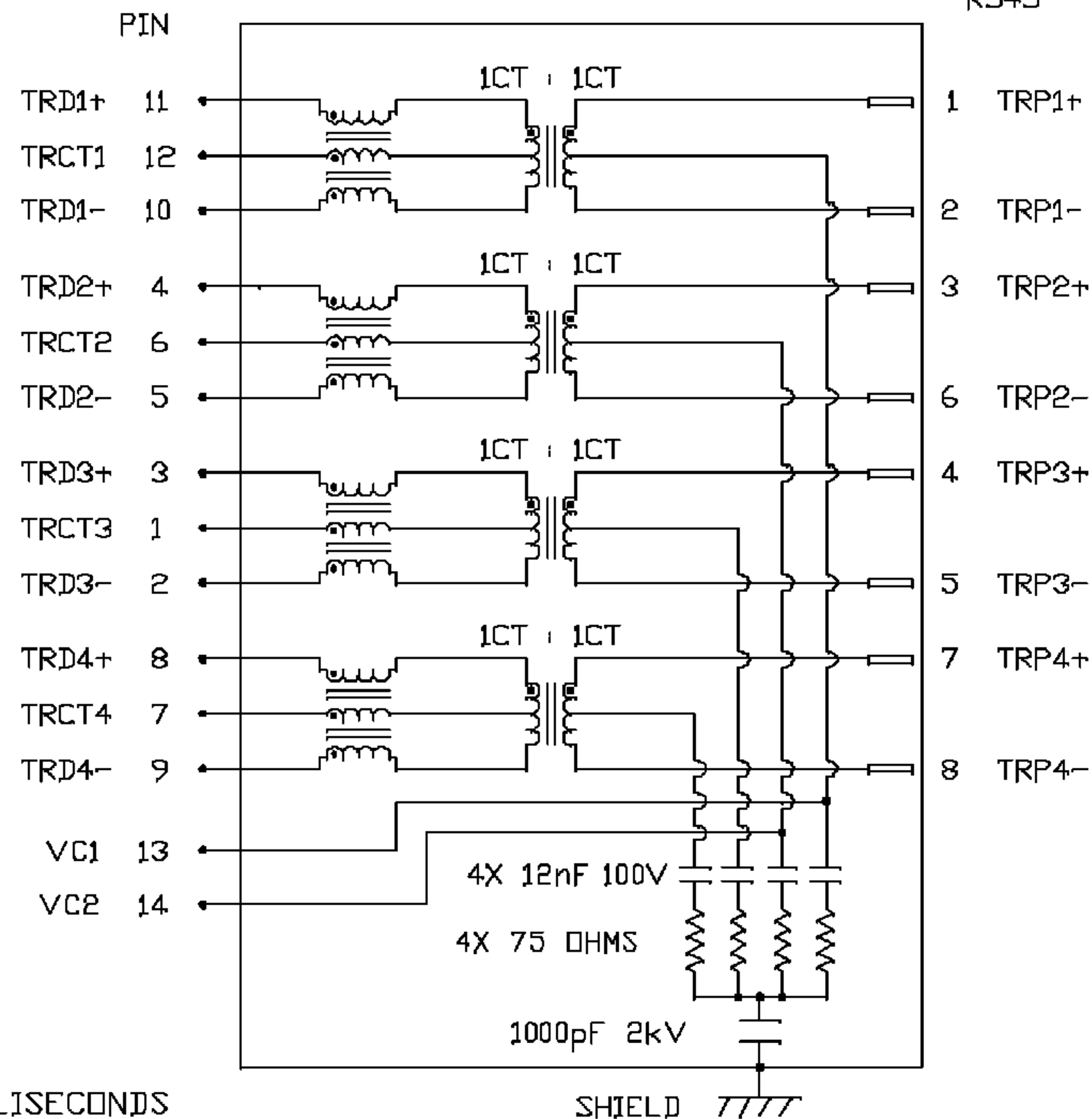
HIPOT (Isolation Voltage): 2250 VDC

100% OF PRODUCT TESTED IN PRODUCTION

BALANCED DC LINE CURRENT 350 mA MAX, @ 57 VDC CONTINUOUS

500 mA MAX, @ 57 VDC FOR 200 MILLISECONDS

SCHEMATIC



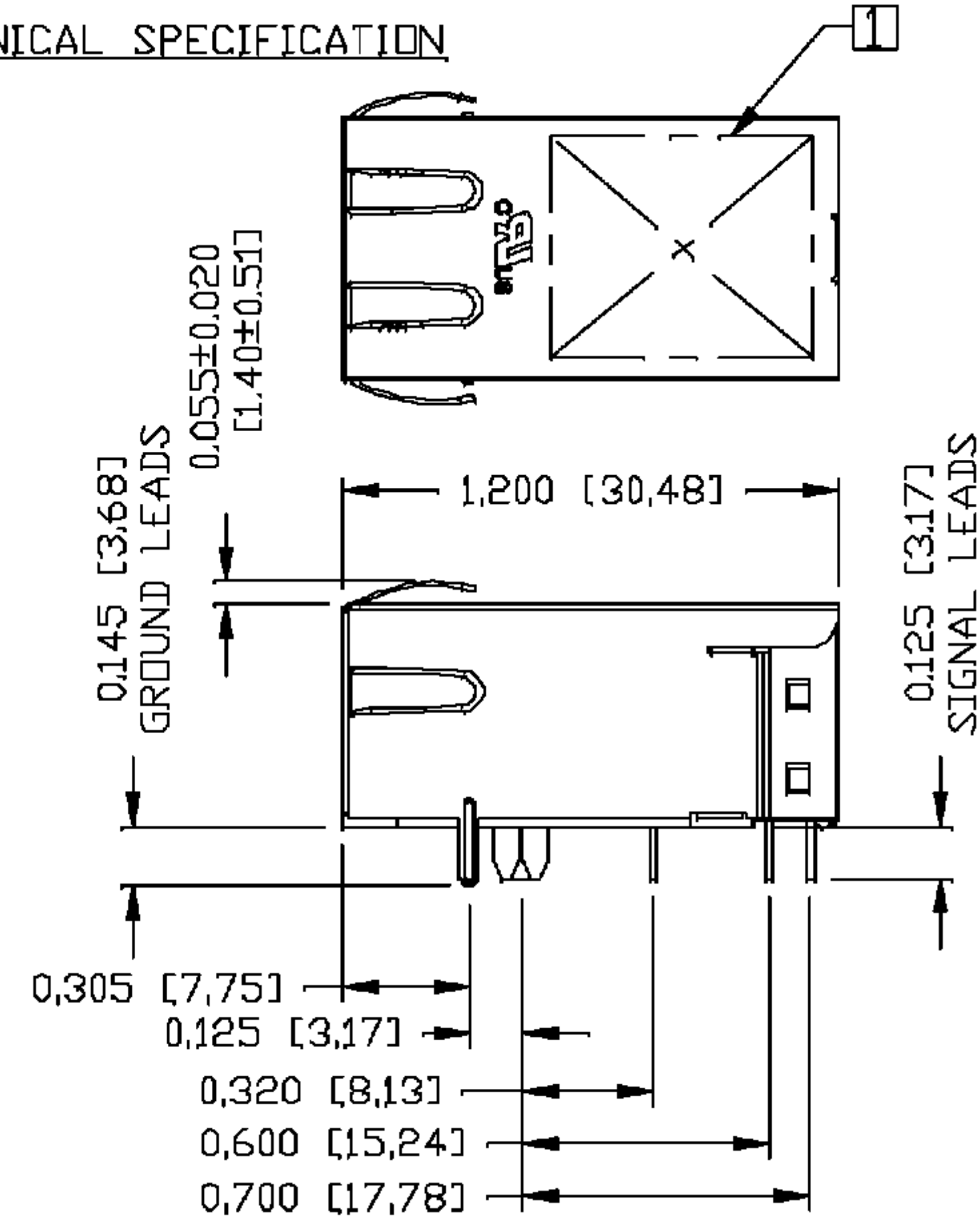
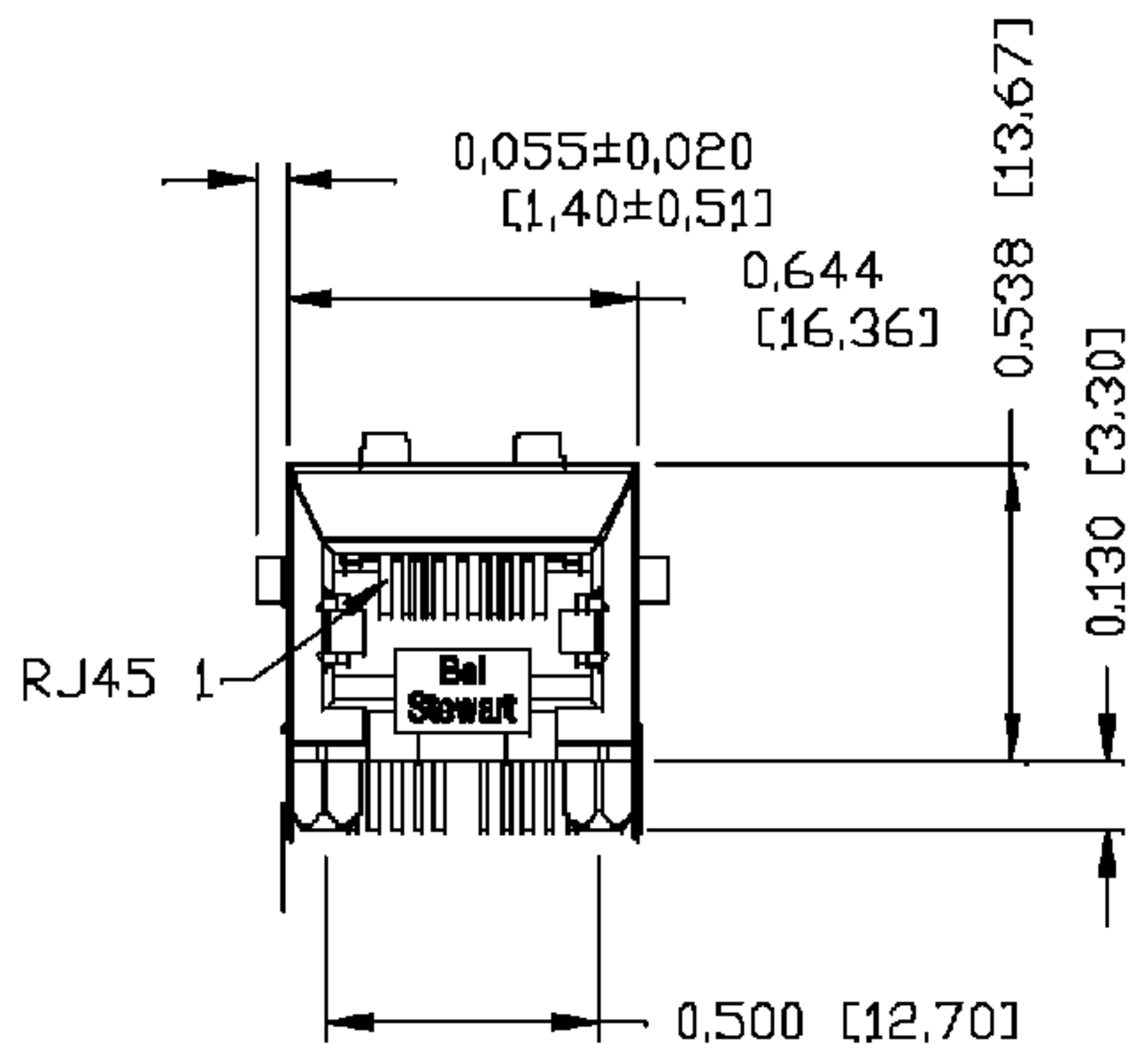
ORIGINATED BY CHUNG	DATE 12-13-06	TITLE glgabl't MagJack® (VOIP) 0813-1X1T-80-F	PART NO. / DRAWING NO. 08131X1T80-F	STANDARD DIM. TOL. IN INCH X XX XXX	[] METRIC DIM. AS REFERENCE UNIT : INCH [mm] SCALE : N/A	REV. : PA SIZE : A4 PAGE : 2	bel COMPONENTS WORLD FLASHT
DRAWN BY DE	DATE 12-13-06		FILE NAME 08131X1T80-FPA,DWG				

THE INFORMATION CONTAINED HEREIN IS CONSIDERED "PROPRIETARY" TO BEL FUSE INC. AND SHALL NOT BE COPIED, REPRODUCED OR DISCLOSED WITHOUT THE WRITTEN APPROVAL OF BEL FUSE INC.

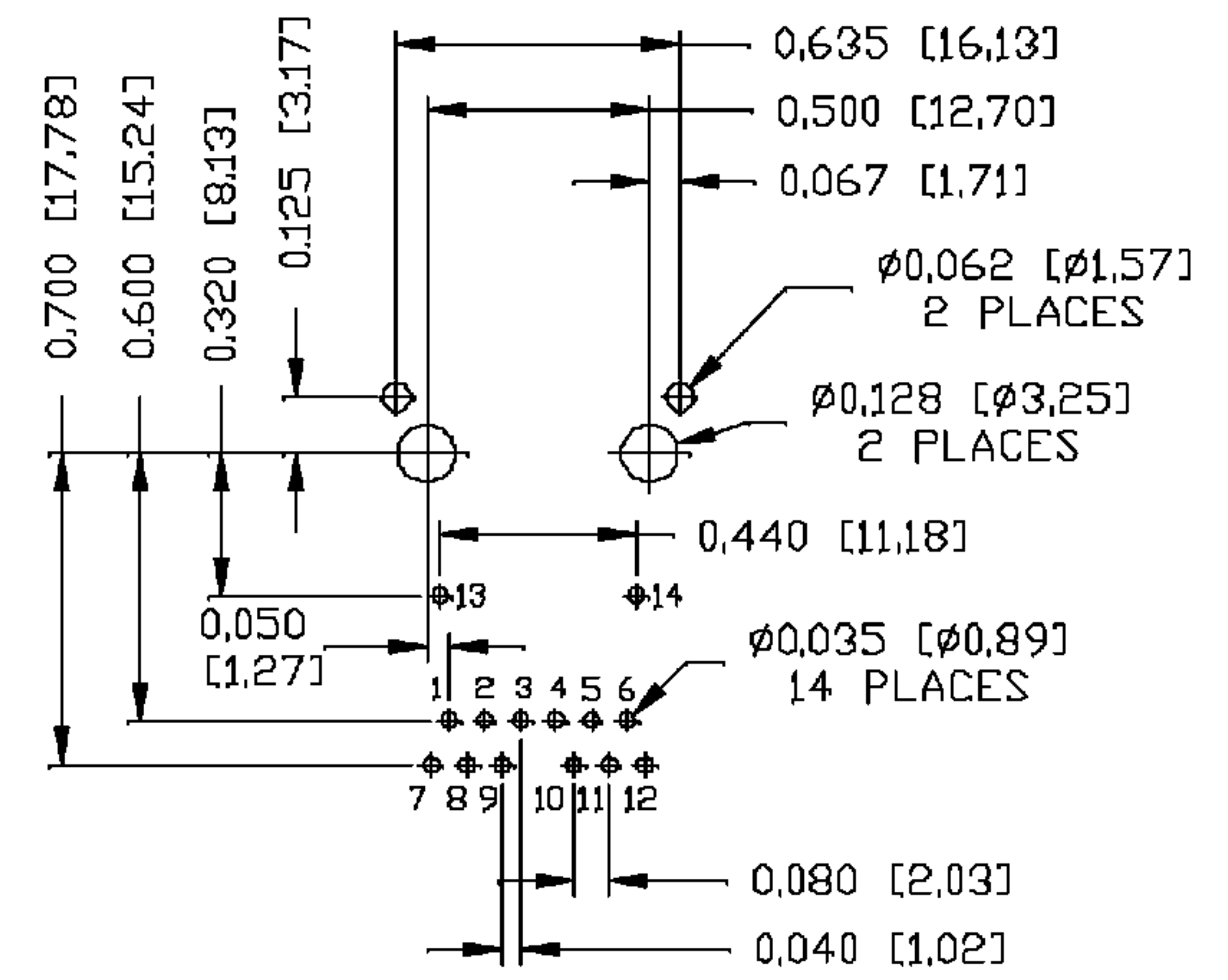
MECHANICAL SPECIFICATION



PRELIMINARY



RECOMMENDED PCB FOOTPRINT COMPONENT SIDE VIEW



NOTES:
 PLASTIC HOUSING: THERMOPLASTIC PBT
 FLAMMABILITY RATING UL 94V-0
 CONTACTS: 50 MICRO-INCH HARD GOLD PLATING
 WITH UNDERPLATING OF 50 MICRO-INCH NICKEL.
 OUTPUT PINS: TIN-COATED COPPER WIRE, DIA 0,018 INCH.
 METAL SHIELD: NICKEL PLATED ON COPPER ALLOY,
 (ALL GROUND LEAD ARE SOLDER DIPPED)
 JACK CAVITY CONFORMS TO FCC RULES AND REGULATIONS,
 □ MARK PART WITH MFG LOGO, MFG NAME, PART NUMBER AND DATE CODE
 UL RECOGNIZED - FILE #E196366 AND E169987,
 2. RoHS COMPLIANCE, PER EU DIRECTIVE 2002/95/EC

ORIGINATED BY	DATE	TITLE	PART NO. / DRAWING NO.	STANDARD DIM. TOL. IN INCH	[] METRIC DIM. AS REFERENCE
BILL	12-13-06	glgabl MagJack® (VOIP) 0813-1X1T-80-F	08131X1T80-F	X	UNIT : INCH [mm] REV. : PA
DRAWN BY	DATE		FILE NAME	XX	SCALE : N/A SIZE : A4
GIN	12-13-06		08131X1T80-FPA.DWG	XXX ±0,010	PAGE : 3

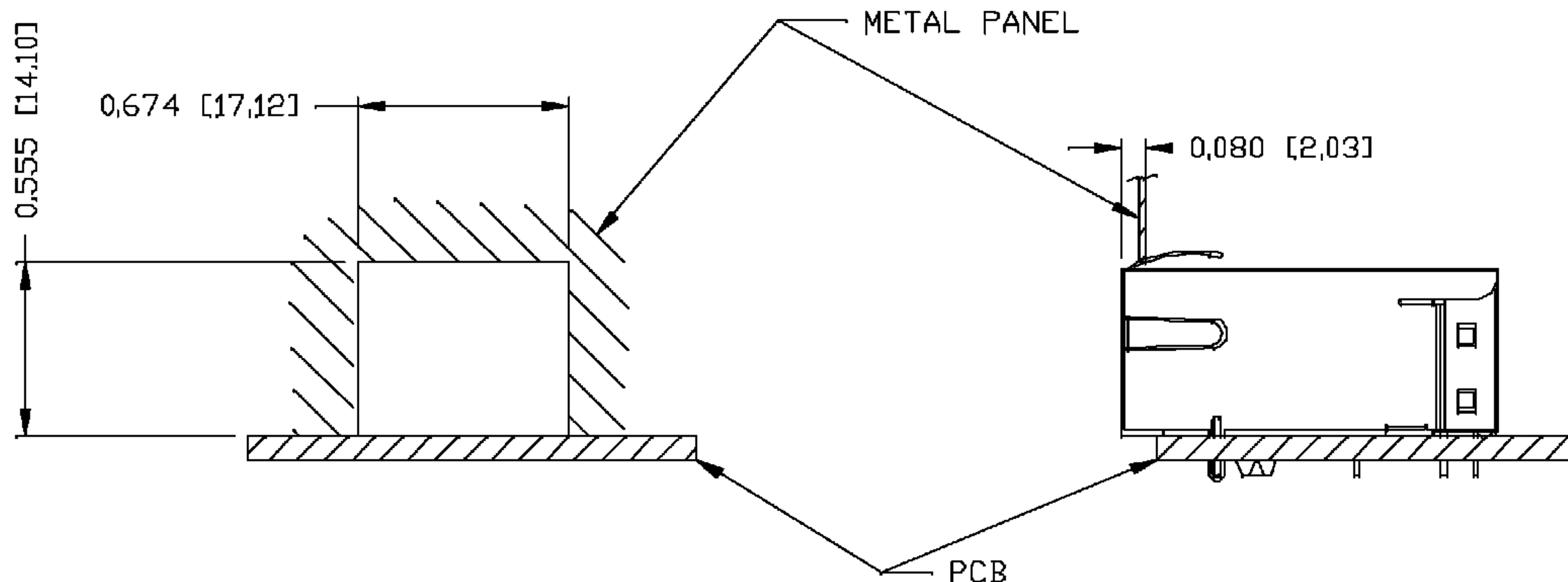


THE INFORMATION CONTAINED HEREIN IS CONSIDERED "PROPRIETARY" TO BEL FUSE INC, AND SHALL NOT BE COPIED, REPRODUCED OR DISCLOSED WITHOUT THE WRITTEN APPROVAL OF BEL FUSE INC.

PRELIMINARY



SUGGESTED PANEL OPENING



NOTES:

THE DISTANCE OF PANEL INSIDE SURFACE RELATIVE TO FRONT SURFACE OF PART IS ONLY A SUGGESTION. IN CASE THIS DISTANCE IS DIFFERENT, THE REQUIRED PANEL OPENING DIMENSIONS CHANGE ACCORDINGLY.

PACKING INFORMATION

PACKING TRAY : 0200-9999-F1(TOP)

0200-9999-F2(BOTTOM)

PACKING QUANTITY : 40 PCS FINISHED GOODS PER TRAY

10 TRAYS (400 PCS FINISHED GOODS) PER CARTON BOX

NOTER: CARDBOARDS ARE PLACED BETWEEN LAYERS OF PACKING TRAY INSIDE CARTON BOX (INCLUDE THE UPPERMOST AND LOWERMOST TRAY)

ORIGINATED BY	DATE	TITLE	PART NO. / DRAWING NO.	STANDARD DIM. TOL. IN INCH	[] METRIC DIM. AS REFERENCE
BILL	12-13-06	glgabl MagJack® (VOIDP) 0813-1X1T-80-F	08131X1T80-F	X	UNIT : INCH [mm] REV. : PA
DRAWN BY	DATE		FILE NAME	XX	SCALE : N/A SIZE : A4
QIN	12-13-06		08131X1T80-FPA.DWG	XXX ±0.004	PAGE : 4

