

THE INFORMATION CONTAINED HEREIN IS CONSIDERED "PROPRIETARY" TO BEL FUSE INC. AND SHALL NOT BE COPIED, REPRODUCED OR DISCLOSED WITHOUT THE WRITTEN APPROVAL OF BEL FUSE INC.

RoHS



Additional Resources: [Product Page](#) [3D Model](#) [PCB Footprint](#) [Technical Documentation](#)

ELECTRICAL CHARACTERISTICS @ 25°C

URNS RATIO

TP1	1CT : 1CT ±2%
TP2	1CT : 1CT ±2%
TP3	1CT : 1CT ±2%
TP4	1CT : 1CT ±2%

DCL @ 100kHz/100mVRMS

8mA DC BIAS 350µH MIN.

INS. LOSS

0.1MHz TO 1MHz	-1.1 dB MAX
1MHz TO 65MHz	-0.5 dB MAX
65MHz TO 100MHz	-0.8 dB MAX
100MHz TO 125MHz	-1.2 dB MAX

RET. LOSS (MIN)

0.5MHz-40MHz	-18 dB
40MHz-100MHz	-12+20LOG(f/80MHz) dB

CM TO CM REJ

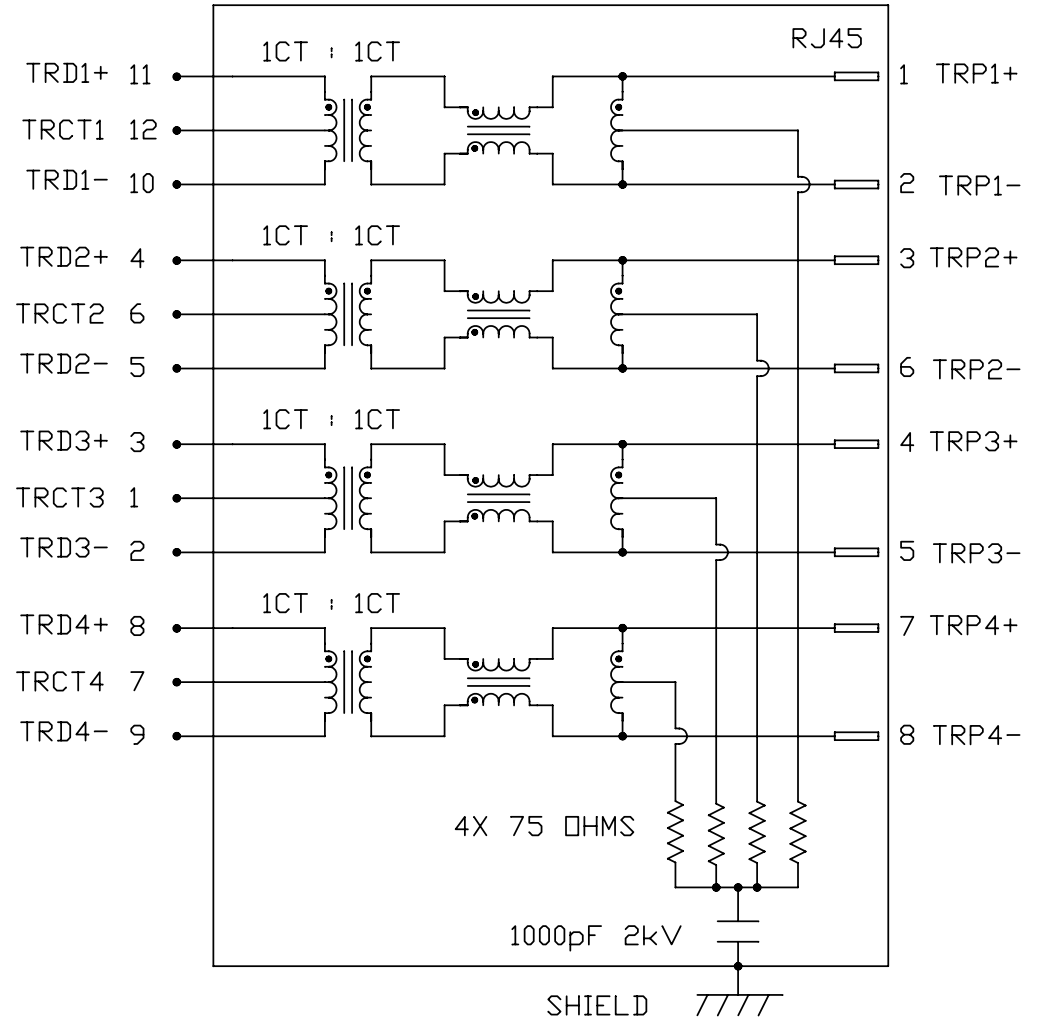
100kHz - 100MHz -30 dB MIN

CM TO DM REJ

100kHz - 100MHz -35 dB MIN

HIPOT (Isolation Voltage): 1500 Vrms or 2250VDC
 100% OF PRODUCTION TESTED TO COMPLY
 WITH IEEE 802.3 ISOLATION REQUIREMENTS.

SCHEMATIC

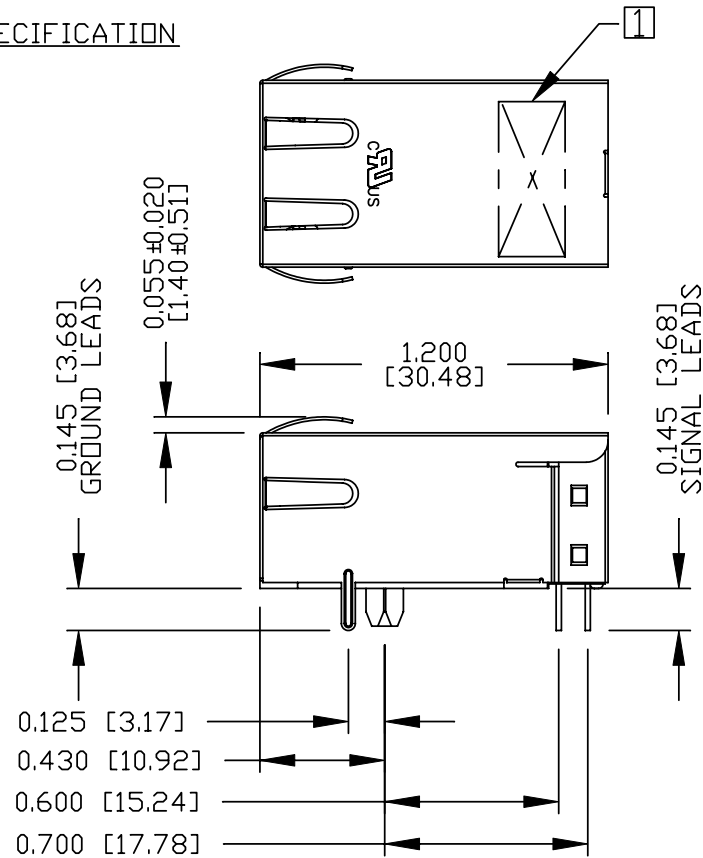
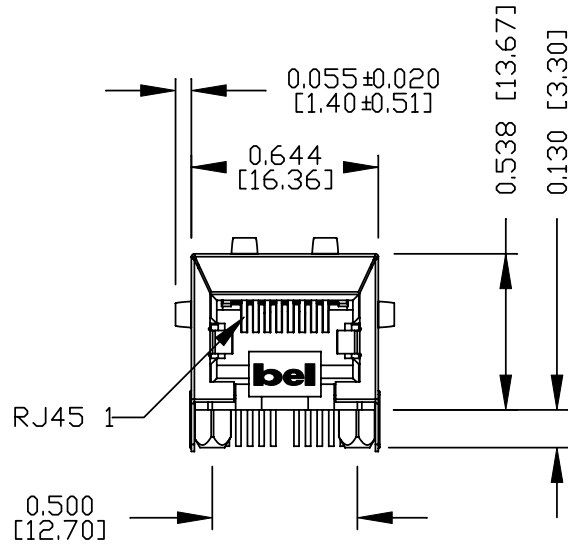


ORIGINATED BY CHOW WANCHUNG	DATE 2012-07-27	TITLE gigabit MagJack® (Tab Down) (0.145" Pin Length of-23)	PART NO. / DRAWING NO. 08131X1T29-F	STANDARD DIM.		[] METRIC DIM. AS REFERENCE	
				TOL. IN INCH		UNIT : INCH [mm]	REV. : B
DRAWN BY TAN QIGUANG	DATE 2012-07-27	0813-1X1T-29-F PATENTED	FILE NAME 08131X1T29-F_B.DWG	.X		SCALE : N/A	SIZE : A4
				.XX		PAGE : 2	
				.XXX			



THE INFORMATION CONTAINED HEREIN IS CONSIDERED "PROPRIETARY" TO BEL FUSE INC. AND SHALL NOT BE COPIED, REPRODUCED OR DISCLOSED WITHOUT THE WRITTEN APPROVAL OF BEL FUSE INC.

MECHANICAL SPECIFICATION



NOTES:

- PLASTIC HOUSING: THERMOPLASTIC PBT
FLAMMABILITY RATING UL 94V-0
- CONTACTS: 50 MICRO-INCH HARD GOLD PLATING OR EQUIVALENT,
WITH UNDERPLATING OF 50 MICRO-INCH NICKEL.
- OUTPUT PINS: TIN-COATED COPPER WIRE, DIA 0.018 INCH.
- METAL SHIELD: NICKEL PLATED ON COPPER ALLOY.
(ALL GROUND LEAD ARE SOLDER DIPPED)
- JACK CAVITY CONFORMS TO FCC RULES AND REGULATIONS.
- [] MARK PART WITH MFG LOGO, MFG NAME, PART NUMBER,
DATE CODE AND PATENTED.

- 1. THE PRODUCT IS RoHS COMPLIANT.
- 2. THE PRODUCT IS PATENTED, THE PATENT NUMBER IS U.S. PAT. 5,736,910.

ORIGINATED BY ANTON LIAO	DATE 2012-07-27	TITLE gigabit MagJack® (Tab Down) (0.145" Pin Length of -23)	PART NO. / DRAWING NO. 08131X1T29-F	STANDARD DIM.		[] METRIC DIM. AS REFERENCE	
				TOL. IN INCH		UNIT : INCH [mm]	REV. : B
DRAWN BY HE ZHEN	DATE 2012-07-27	FILE NAME 08131X1T29-F_B.DWG	.X	.XX	.XXX	SCALE : N/A	SIZE : A4
						PAGE : 3	



THE INFORMATION CONTAINED HEREIN IS CONSIDERED "PROPRIETARY" TO BEL FUSE INC. AND SHALL NOT BE COPIED, REPRODUCED OR DISCLOSED WITHOUT THE WRITTEN APPROVAL OF BEL FUSE INC.

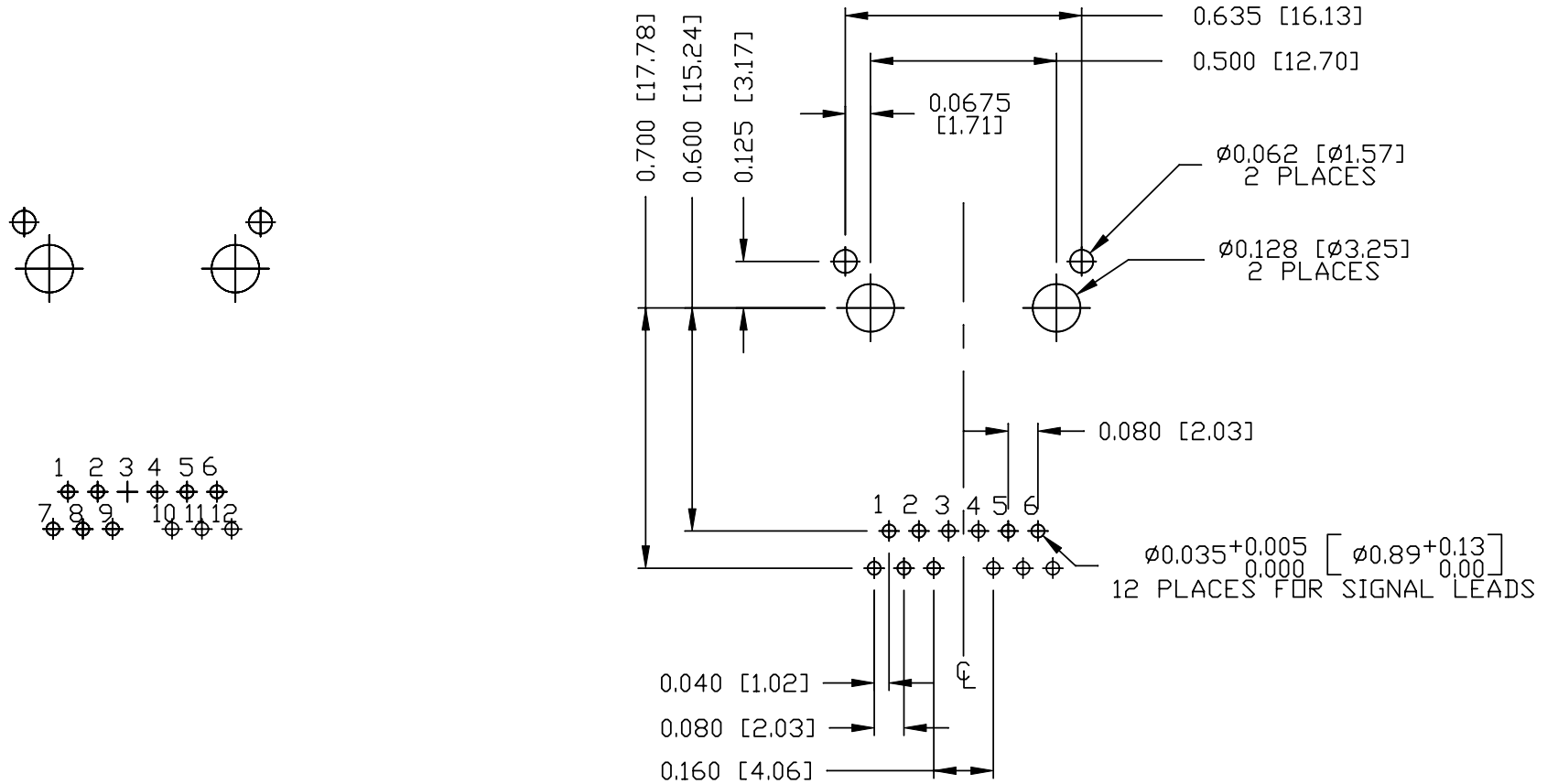
RoHS



Additional Resources: [Product Page](#) [3D Model](#) [PCB Footprint](#) [Technical Documentation](#)

RECOMMENDED PCB FOOTPRINT

COMPONENT SIDE VIEW



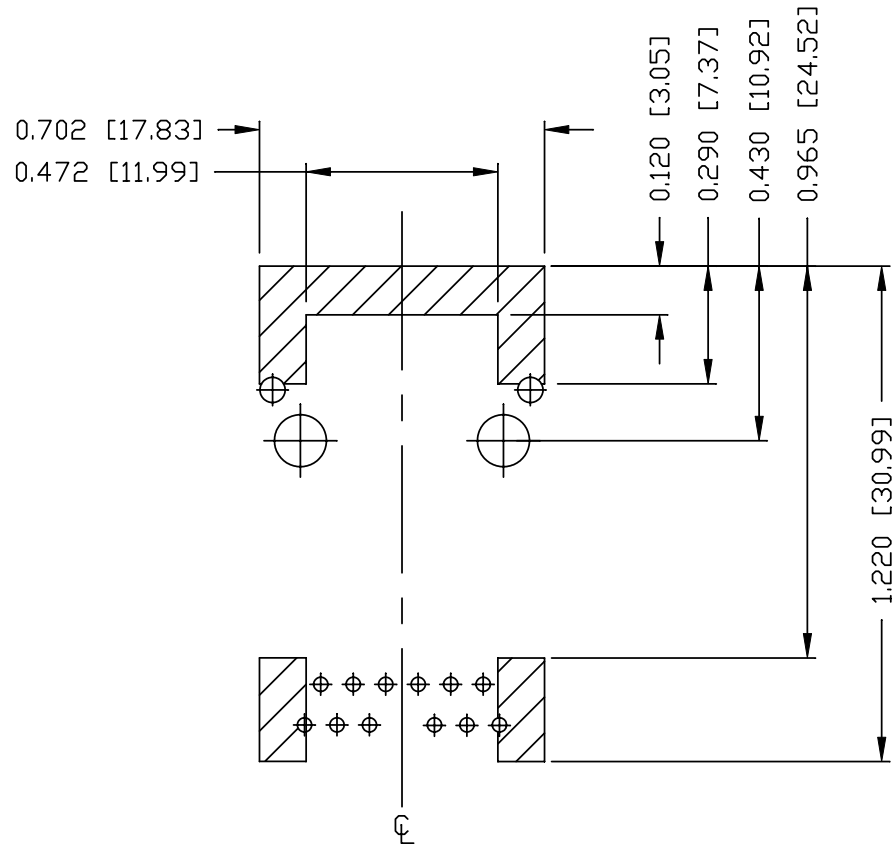
ORIGINATED BY ANTON LIAO	DATE 2012-07-27	TITLE gigabit MagJack® (Tab Down) (0.145" Pin Length of-23) 0813-1X1T-29-F PATENTED	PART NO. / DRAWING NO. 08131X1T29-F	STANDARD DIM. TOL. IN INCH	[] METRIC DIM. AS REFERENCE	 COMPONENTS FOR A CONNECTED PLANET	
			FILE NAME 08131X1T29-F_B.DWG	.X	UNIT : INCH [mm]		REV. : B
DRAWN BY HE ZHEN	DATE 2012-07-27			.XX	SCALE : N/A		SIZE : A4
				.XXX ±0.004			PAGE : 4

THE INFORMATION CONTAINED HEREIN IS CONSIDERED "PROPRIETARY" TO BEL FUSE INC. AND SHALL NOT BE COPIED, REPRODUCED OR DISCLOSED WITHOUT THE WRITTEN APPROVAL OF BEL FUSE INC.

RoHS



Additional Resources: [Product Page](#) [3D Model](#) [PCB Footprint](#) [Technical Documentation](#)



NOTES

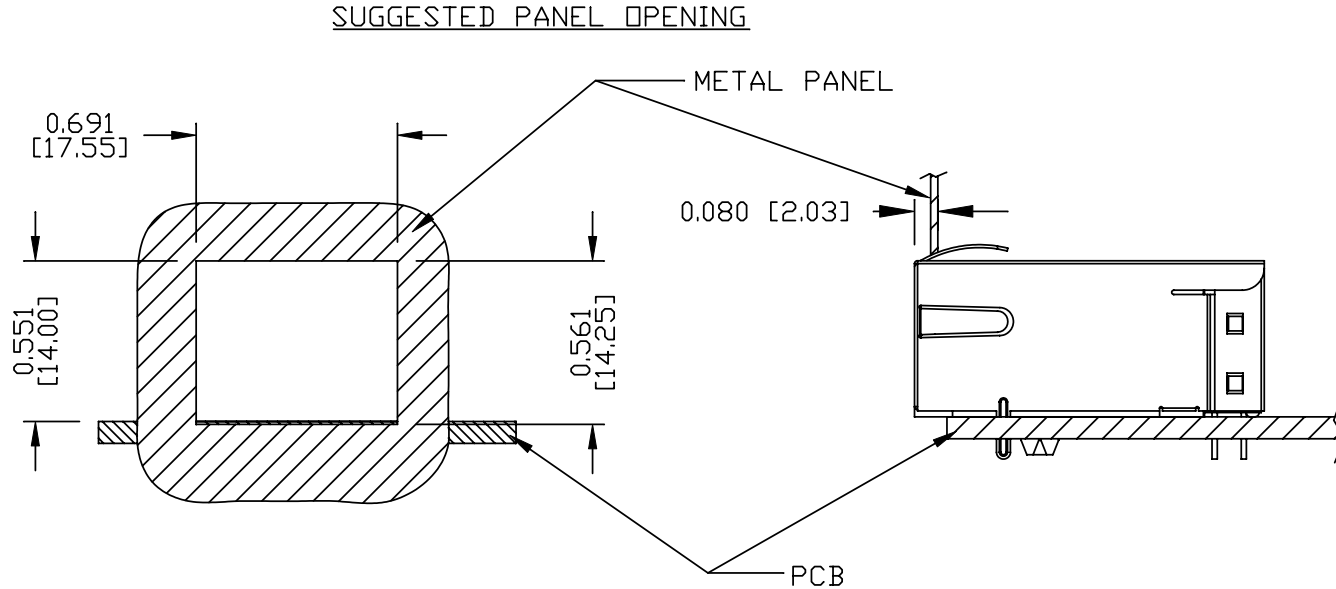
THE SHADED AREA ON THE CUSTOMER BOARD ARE RECOMMENDED TO BE CLEAR OFF ANY VIA HOLE OR COMPONENT PAD.

ORIGINATED BY ANTON LIAO	DATE 2012-07-27	TITLE gigabit MagJack® (Tab Down) (0.145" Pin Length of -23)	PART NO. / DRAWING NO. 08131X1T29-F		STANDARD DIM. TOL. IN INCH		[] METRIC DIM. AS REFERENCE		bel COMPONENTS FOR A CONNECTED PLANET
			FILE NAME 08131X1T29-F_B.DWG		.X		UNIT : INCH [mm]	REV. : B	
DRAWN BY HE ZHEN	DATE 2012-07-27	PATENTED			.XX		SCALE : N/A	SIZE : A4	PAGE : 5
					.XXX	±0.004			

THE INFORMATION CONTAINED HEREIN IS CONSIDERED "PROPRIETARY" TO BEL FUSE INC. AND SHALL NOT BE COPIED, REPRODUCED OR DISCLOSED WITHOUT THE WRITTEN APPROVAL OF BEL FUSE INC.

RoHS

Additional Resources: [Product Page](#) [3D Model](#) [PCB Footprint](#) [Technical Documentation](#)



NOTES:

THE DISTANCE OF PANEL INSIDE SURFACE RELATIVE TO FRONT SURFACE OF PART IS ONLY A SUGGESTION. IN CASE THIS DISTANCE IS DIFFERENT, THE REQUIRED PANEL OPENING DIMENSIONS CHANGE ACCORDINGLY.

PACKING INFORMATION

PACKING TRAY : 0200-9999-F1(TOP)

PACKING TRAY : 0200-9999-F2(BOTTOM)

PACKING QUANTITY : 40 PCS FINISHED GOODS PER TRAY

10 TRAYS (400 PCS FINISHED GOODS) PER CARTON BOX

NOTER: CARDBOARDS ARE PLACED BETWEEN LAYERS OF PACKING TRAY INSIDE CARTON BOX (INCLUDE THE UPPERMOST AND LOWERMOST TRAY)

ORIGINATED BY ANTON LIAO	DATE 2012-07-27	TITLE gigabit MagJack® (Tab Down) (0.145" Pin Length of-23)	PART NO. / DRAWING NO. 08131X1T29-F	STANDARD DIM. TOL. IN INCH		[] METRIC DIM. AS REFERENCE	
				.X		UNIT : INCH [mm]	REV. : B
DRAWN BY HE ZHEN	DATE 2012-07-27	TITLE 0813-1X1T-29-F PATENTED	FILE NAME 08131X1T29-F_B.DWG	.XX		SCALE : N/A	SIZE : A4
				.XXX	±0.004	PAGE : 6	

