

THE INFORMATION CONTAINED HEREIN IS CONSIDERED "PROPRIETARY" TO BEL FUSE, INC. AND SHALL NOT BE COPIED, REPRODUCED OR DISCLOSED WITHOUT THE WRITTEN APPROVAL OF BEL FUSE, INC.



PRELIMINARY

SCHEMATIC

ELECTRICAL CHARACTERISTICS @ 25°C

TURNS RATIO
 TP1 1CT : 1CT ±2%
 TP2 1CT : 1CT ±2%
 TP3 1CT : 1CT ±2%
 TP4 1CT : 1CT ±2%

DCL @ 100kHz/100mVRMS (4CHANNEL)

(-40°C - 85°C) 180µH MIN.
 19mA DC BIAS(-40°C - 85°C) 120µH MIN.

RET. LOSS (MIN)

1MHZ-40MHZ -18 dB MIN
 40MHZ-250MHZ -18+10LOG10(F/40MHZ) dB MIN

CM TO CM REJ

100kHz - 100MHZ -30 dB MIN

CM TO DM REJ

100kHz - 100MHZ -35 dB MIN

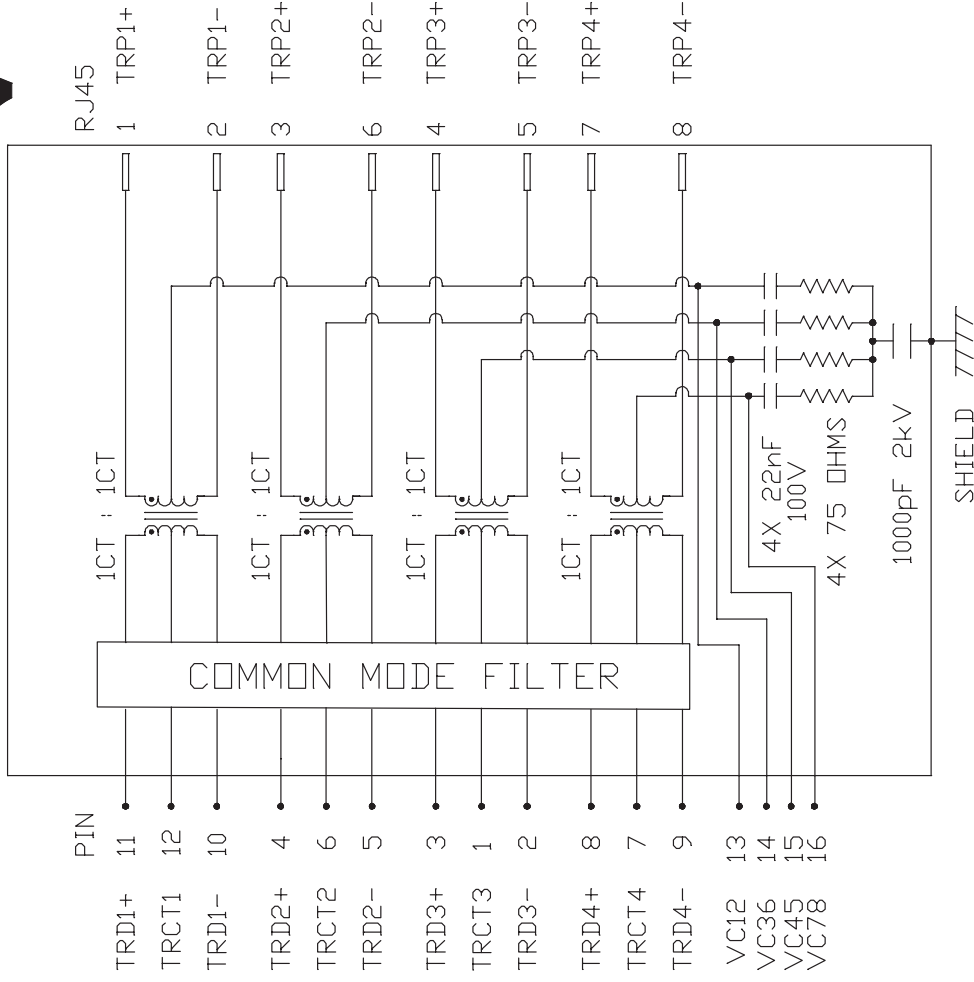
HIPOT (Isolation Voltage): 2250 VDC

100% OF PRODUCTION TESTED TO COMPLY WITH IEEE 802.3 ISOLATION REQUIREMENTS

BALANCED DC LINE CURRENT

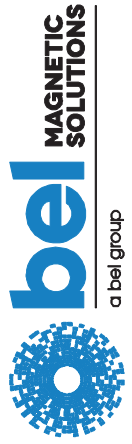
600mA MAX. CONTINUOUS
 1.2A MAX. FOR 200 MILLISECONDS

OPERATING TEMPERATURE: -40°C TO 85°C



REV. : 4 PAGE : 2

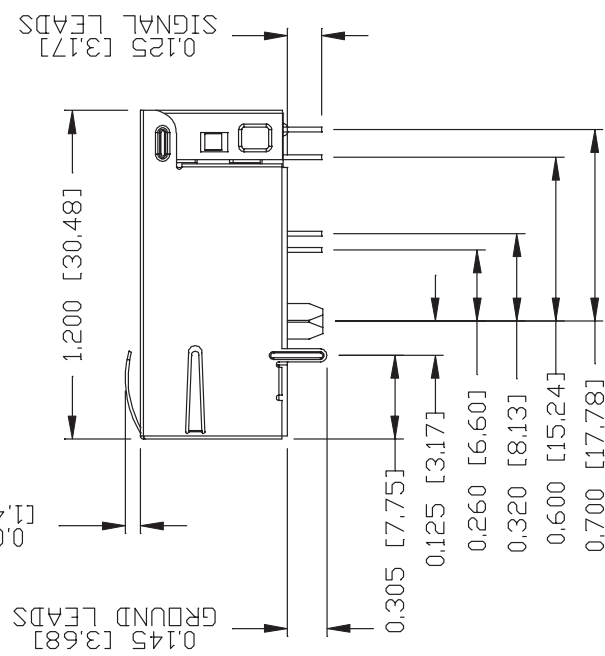
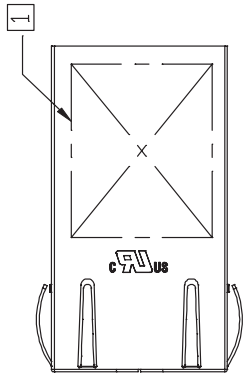
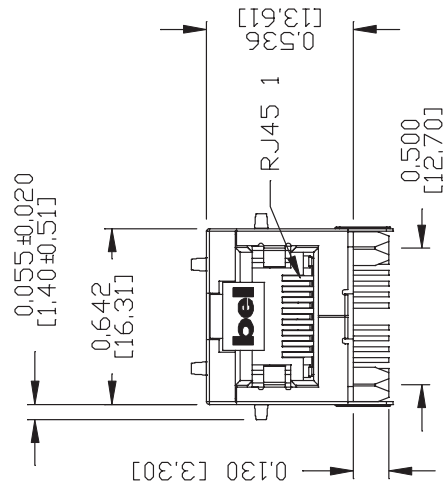
ORIGINATED BY CHOW WANCHUNG DATE 2020-12-22 DRAWN BY XIE YIMING DATE 2020-12-22	TITLE 5 gigabit MagJack® (4PPoE, Extended Temperature) 0816-1X1T-JK-F PATENTED	PART NO. / DRAWING NO. 08161X1T JK-F FILE NAME 08161X1T JK-F_4.DWG	STANDARD DIM. TOL. IN INCH .X .XX .XXX	[] METRIC DIM. AS REF. UNIT : INCH [mm] SCALE : N/A SIZE : A4
--	---	---	---	---



THE INFORMATION CONTAINED HEREIN IS CONSIDERED "PROPRIETARY" TO BEL FUSE, INC. AND SHALL NOT BE COPIED, REPRODUCED OR DISCLOSED WITHOUT THE WRITTEN APPROVAL OF BEL FUSE, INC.

PRELIMINARY

MECHANICAL SPECIFICATION



NOTES:

- PLASTIC HOUSING: THERMOPLASTIC PA, BLACK. FLAMMABILITY RATING UL 94V-0
- CONTACTS: 50 MICRO-INCH HARD GOLD PLATING OR EQUIVALENT.
- OUTPUT PINS: TIN-COATED COPPER WIRE DIA 0.018 INCH.
- METAL SHIELD: 100 MICRO-INCH MIN MATTE TIN. PINS ARE SOLDER DIPPED. NICKEL PLATED ON COPPER ALLOY.
- 1. MARK PART WITH MFG LOGO, MFG NAME, PART NUMBER, DATE CODE AND PATENTED.
- 2. THE PRODUCT IS RoHS COMPLIANT.
- 3. JACK CAVITY CONFORMS TO FCC RULES AND REGULATIONS.
- 4. THE PRODUCT IS PATENTED, THE PATENT NUMBER IS U.S. PAT. 7,123,117.
- 5. THE PART IS RECOMMENDED FOR WAVE SOLDERING, THE SUGGESTED PEAK WAVE SOLDERING CONDITION IS 260°C MAX AND 10 SECONDS MAX.

ORIGINATED BY SANDY LIN DATE 2020-12-22	TITLE 5 gigabit MagJack® (4PPoE, Extended Temperature)	PART NO. / DRAWING NO. 08161X1TJK-F	STANDARD DIM. TOL. IN INCH	[] METRIC DIM. AS REF.	REV. : 4	PAGE : 3
DRAWN BY RUAN WENJUN DATE 2020-12-22	FILE NAME 08161X1TJK-F_4.DWG	UNIT : INCH [mm]	.X	SCALE : N/A	 bel a bel group	
	PATENTED	.XX				
		.XXX		SIZE : A4		

This document is electronically generated. This is a controlled copy if used internally

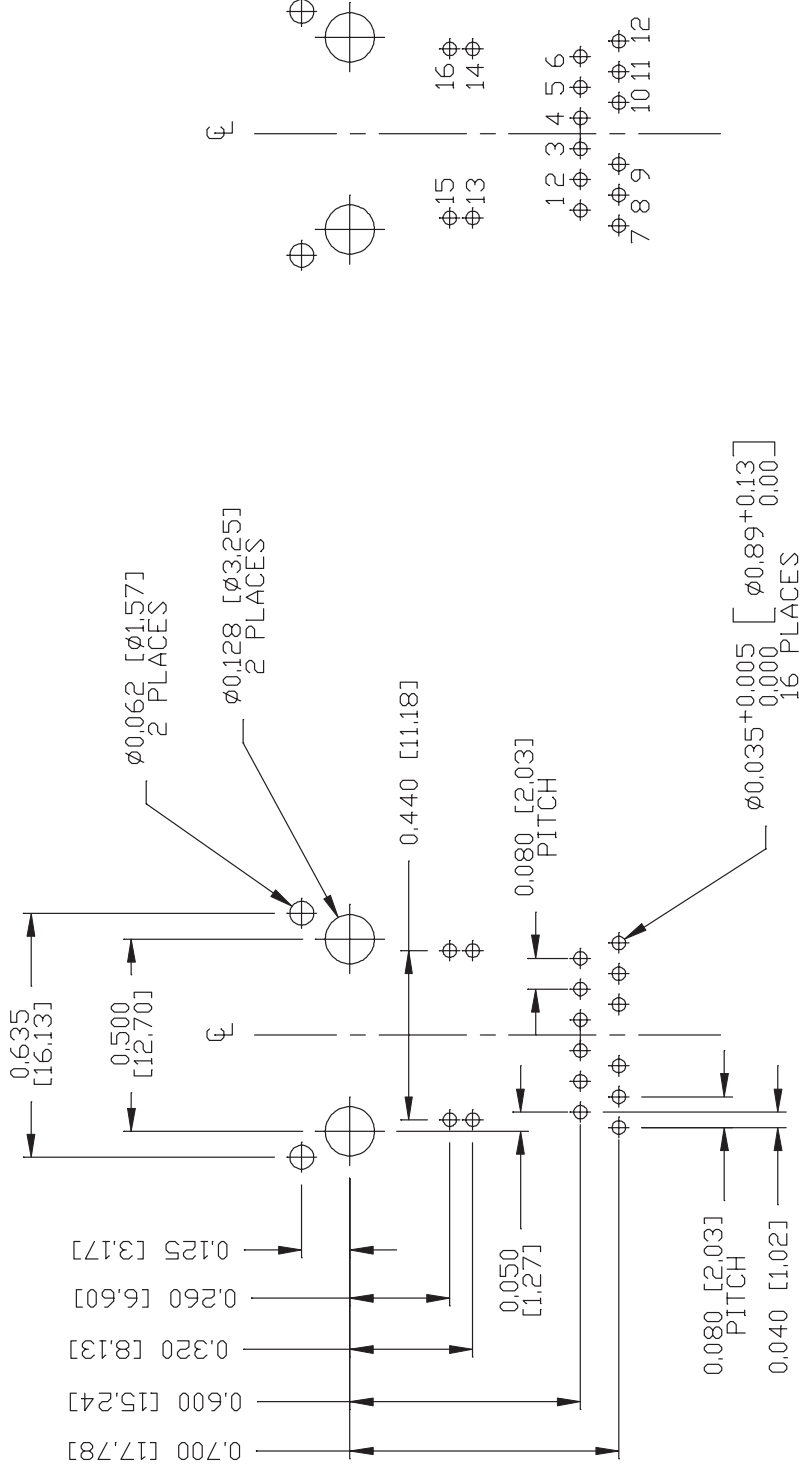
00002(2)120214

THE INFORMATION CONTAINED HEREIN IS CONSIDERED "PROPRIETARY" TO BEL FUSE INC. AND SHALL NOT BE COPIED, REPRODUCED OR DISCLOSED WITHOUT THE WRITTEN APPROVAL OF BEL FUSE INC.

PRELIMINARY



RECOMMENDED PCB FOOTPRINT
COMPONENT SIDE VIEW



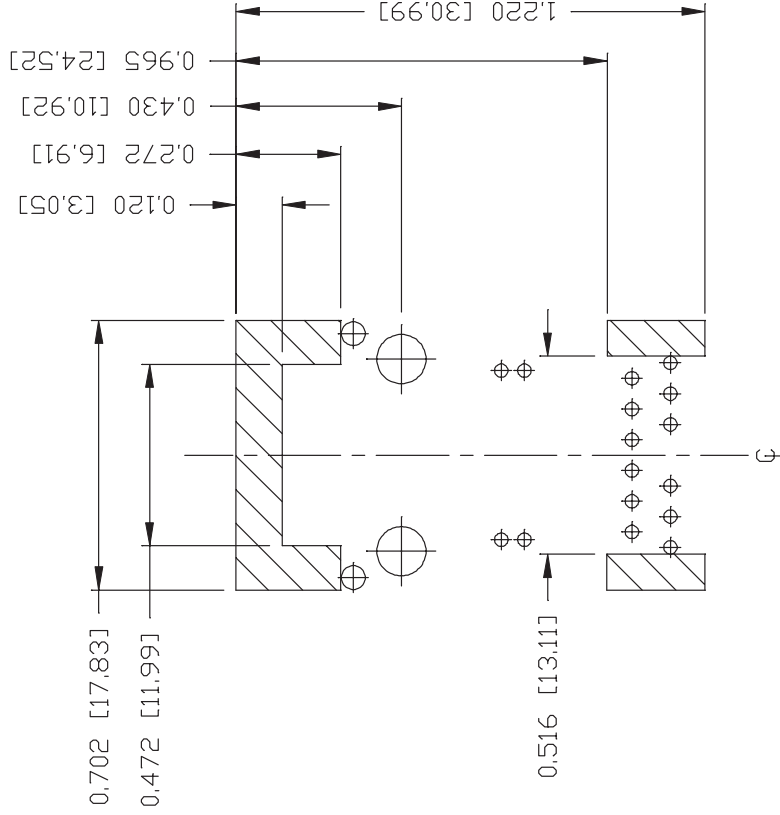
ORIGINATED BY SANDY LIN	TITLE 5 glgabit MagJack® (4PPoE, Extended Temperature)	PART NO. / DRAWING NO. 08161X1TJK-F	STANDARD DIM. TOL. IN INCH	[] METRIC DIM. AS REF.
DATE 2020-12-22	DATE 2020-12-22	FILE NAME 08161X1TJK-F_4.DWG	.X	UNIT : INCH [mm]
DRAWN BY RUAN WENJUN	DATE 2020-12-22	PATENTED 0816-1X1T-JK-F	.XX	SCALE : N/A
			.XXX	SIZE : A4



This document is electronically generated. This is a controlled copy if used internally

THE INFORMATION CONTAINED HEREIN IS CONSIDERED "PROPRIETARY" TO BEL FUSE INC. AND SHALL NOT BE COPIED, REPRODUCED OR DISCLOSED WITHOUT THE WRITTEN APPROVAL OF BEL FUSE INC.

PRELIMINARY



NOTES

THE SHADED AREA ON THE CUSTOMER BOARD ARE RECOMMENDED TO BE CLEAR OFF ANY VIA HOLE OR COMPONENT PAD.

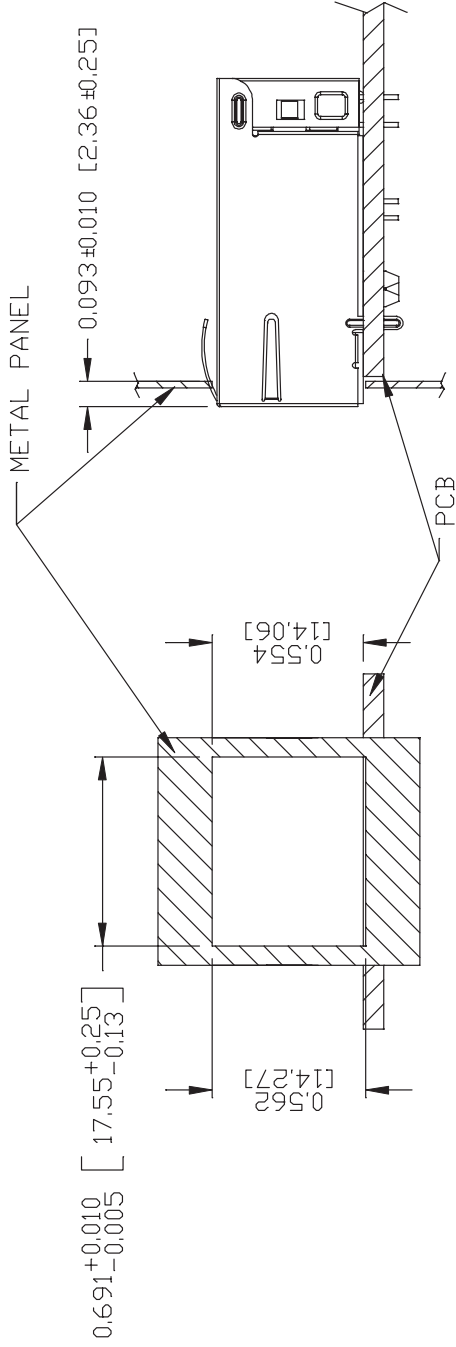
REV. : 4 PAGE : 5	
 a bel group	
STANDARD DIM. TOL. IN INCH .X .XX .XXX	[] METRIC DIM. AS REF. UNIT : INCH [mm] SCALE : N/A SIZE : A4
PART NO. / DRAWING NO. 08161X1TJK-F	FILE NAME 08161X1TJK-F_4.DWG
TITLE 5 gigabit MagJack® (4PPoE, Extended Temperature) 0816-1X1T-JK-F PATENTED	
ORIGINATED BY SANDY LIN DATE 2020-12-22	DRAWN BY RUAN WENJUN DATE 2020-12-22

This document is electronically generated. This is a controlled copy if used internally

THE INFORMATION CONTAINED HEREIN IS CONSIDERED "PROPRIETARY" TO BEL FUSE, INC. AND SHALL NOT BE COPIED, REPRODUCED OR DISCLOSED WITHOUT THE WRITTEN APPROVAL OF BEL FUSE, INC.

SUGGESTED PANEL OPENING

PRELIMINARY



NOTE:

THE DISTANCE OF PANEL INSIDE SURFACE RELATIVE TO FRONT SURFACE OF PART IS ONLY A SUGGESTION. IN CASE THIS DISTANCE IS DIFFERENT, THE REQUIRED PANEL OPENING DIMENSIONS CHANGE ACCORDINGLY.

PACKING INFORMATION

PACKING TRAY : 0200-9999-F1 (TOP)
0200-9999-F2 (BOTTOM)

PACKING QUANTITY : 40 PCS FINISHED GOODS PER TRAY
10 TRAYS (400 PCS FINISHED GOODS) PER CARTON BOX

NOTE : CARDBOARDS ARE PLACED BETWEEN LAYERS OF PACKING TRAY INSIDE CARTON BOX
(INCLUDE THE UPPERMOST AND LOWERMOST TRAY)

REV. : 4 PAGE : 6

ORIGINATED BY SANDY LIN	TITLE 5 gigabit MagJack® (4PPoE, Extended Temperature)	PART NO. / DRAWING NO. 08161X1TJK-F	STANDARD DIM. TOL. IN INCH	[] METRIC DIM. AS REF.
DATE 2020-12-22		FILE NAME 08161X1TJK-F_4.DWG	.X	UNIT : INCH [mm]
DRAWN BY RUAN WENJUN	0816-1X1T-JK-F PATENTED		.XX	SCALE : N/A
DATE 2020-12-22			.XXX	SIZE : A4



This document is electronically generated. This is a controlled copy if used internally

00002(2)120214