

THE INFORMATION CONTAINED HEREIN IS CONSIDERED "PROPRIETARY" TO BEL FUSE INC. AND SHALL NOT BE COPIED, REPRODUCED OR DISCLOSED WITHOUT THE WRITTEN APPROVAL OF BEL FUSE INC.

RoHS



Additional Resources: [Product Page](#) [3D Model](#) [Technical Documentation](#)

ELECTRICAL CHARACTERISTICS @ 25°C

TURNS RATIO

TP1 1CT : 1CT ±2%
 TP2 1CT : 1CT ±2%
 TP3 1CT : 1CT ±2%
 TP4 1CT : 1CT ±2%

DCL @ 100kHz/100mVRMS (4CHANNEL)

8mA DC BIAS 350µH MIN.
 23mA DC BIAS 120µH MIN.

INS. LOSS

0.1MHz TO 1MHz -1.1 dB MAX
 1MHz TO 65MHz -0.8 dB MAX
 65MHz TO 100MHz -1.0 dB MAX
 100MHz TO 125MHz -1.2 dB MAX

RET. LOSS (MIN)

0.5MHz-40MHz -18 dB
 40MHz-100MHz -12+20LOG(f/80MHz) dB

CM TO CM REJ

100kHz - 100MHz -30 dB MIN

CM TO DM REJ

100kHz - 100MHz -35 dB MIN

HIPOT (Isolation Voltage):

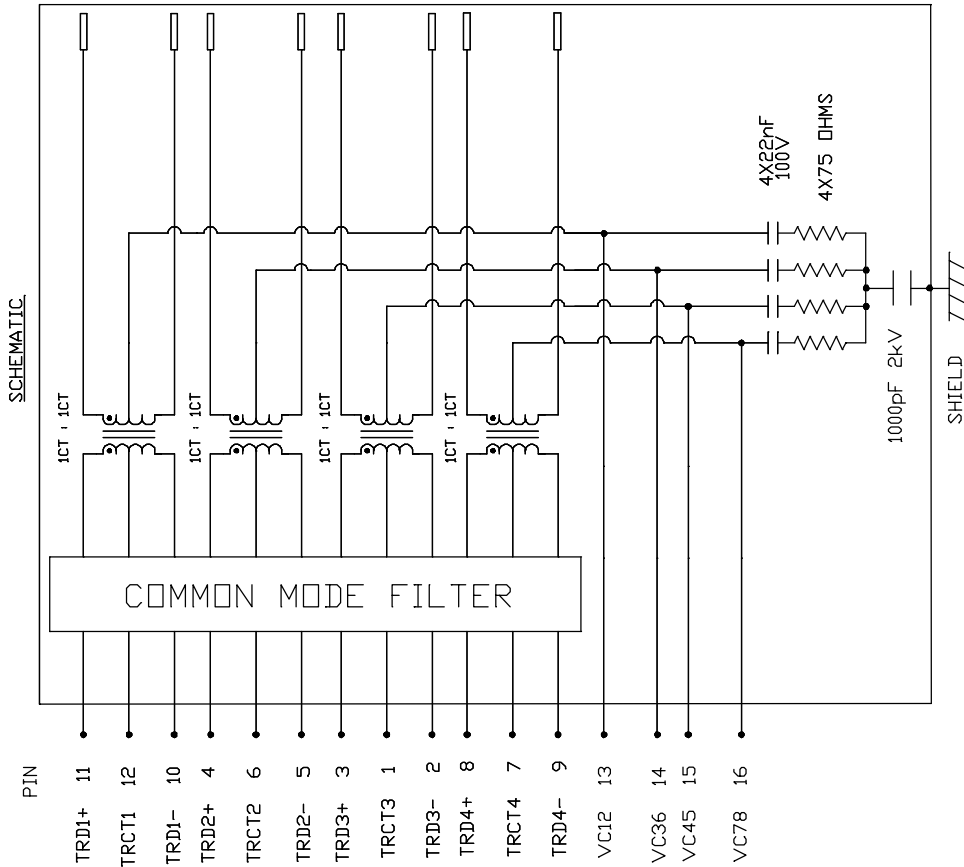
100% OF PRODUCTION TESTED TO COMPLY 2250 VDC

WITH IEEE 802.3 ISOLATION REQUIREMENTS

BALANCED DC LINE CURRENT 1A MAX CONTINUOUS

1.2A MAX, FOR 200 MILLISECONDS

OPERATING TEMPERATURE: -40°C TO 100°C



SCHEMATIC

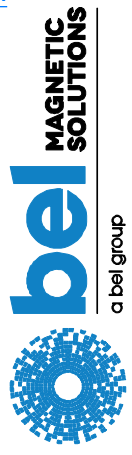
RJ45

- 1 TRP1+
- 2 TRP1-
- 3 TRP2+
- 6 TRP2-
- 4 TRP3+
- 5 TRP3-
- 7 TRP4+
- 8 TRP4-

PIN

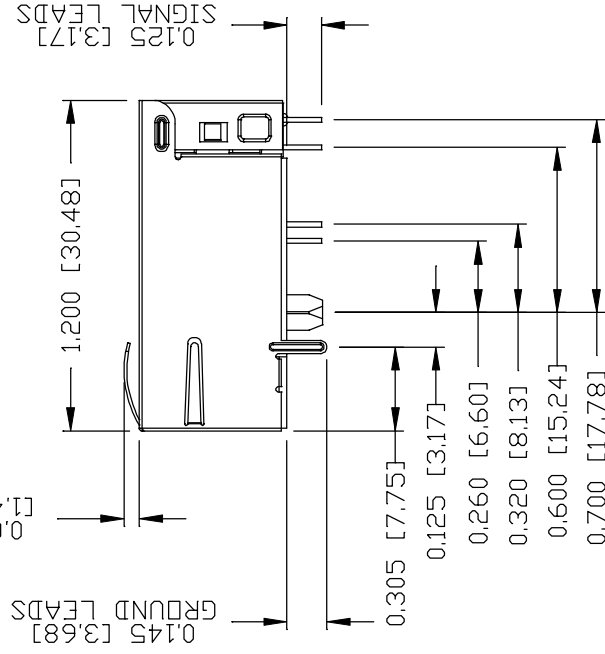
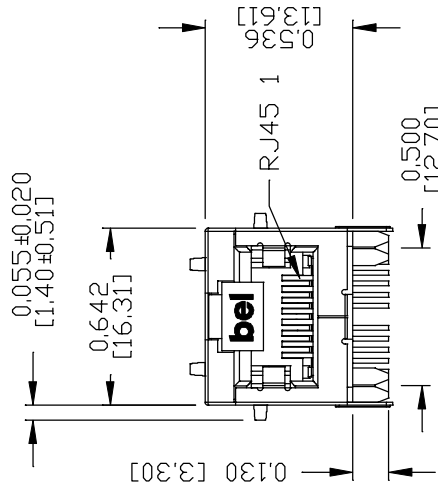
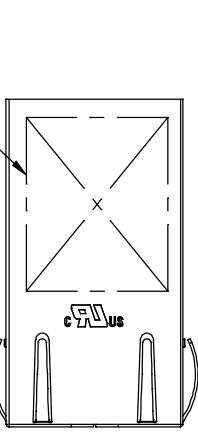
ORIGINATED BY CHOW WANCHUNG	TITLE Gigabit MagJack® (4PPoE, 100W, Extended Temp.)	PART NO. / DRAWING NO. 0816-1X1T-HS-F	STANDARD DIM. TOL. IN INCH	[] METRIC DIM. AS REF.	REV. : A	PAGE : 2
DATE 2022-10-10		FILE NAME 0816-1X1T-HS-F_A.DWG	.X	UNIT : INCH [mm]		
DRAWN BY TANG YUAN	PATENTED		.XX	SCALE : N/A		
DATE 2022-10-10			.XXX	SIZE : A4		

DC002(2)12014 This document is electronically generated. This is a controlled copy if used internally



THE INFORMATION CONTAINED HEREIN IS CONSIDERED "PROPRIETARY" TO BEL FUSE INC. AND SHALL NOT BE COPIED, REPRODUCED OR DISCLOSED WITHOUT THE WRITTEN APPROVAL OF BEL FUSE INC.

MECHANICAL SPECIFICATION



NOTES:

- PLASTIC HOUSING: THERMOPLASTIC PA, BLACK, FLAMMABILITY RATING UL 94V-0
- CONTACTS: 50 MICRO-INCH HARD GOLD PLATING OR EQUIVALENT.
- OUTPUT PINS: TIN-COATED COPPER WIRE DIA 0.018 INCH.
- METAL SHIELD: 100 MICRO-INCH MIN MATTE TIN. PINS ARE SOLDER DIPPED, NICKEL PLATED ON COPPER ALLOY.
- 1. MARK PART WITH MFG LOGO, MFG NAME, PART NUMBER, DATE CODE AND PATENTED.
- 2. THE PRODUCT IS RoHS COMPLIANT.
- 3. JACK CAVITY CONFORMS TO FCC RULES AND REGULATIONS.

- 4. THE PRODUCT IS PATENTED, THE PATENT NUMBER IS U.S. PAT. 7,123,117.
- 5. THE PART IS RECOMMENDED FOR WAVE SOLDERING. THE SUGGESTED PEAK WAVE SOLDERING CONDITION IS 260°C MAX AND 10 SECONDS MAX.

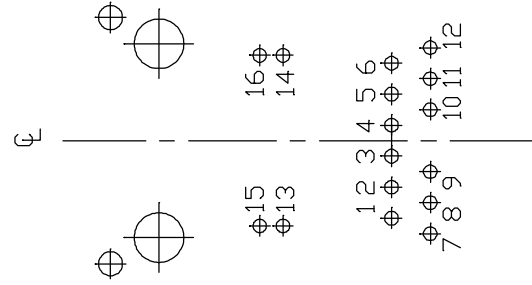
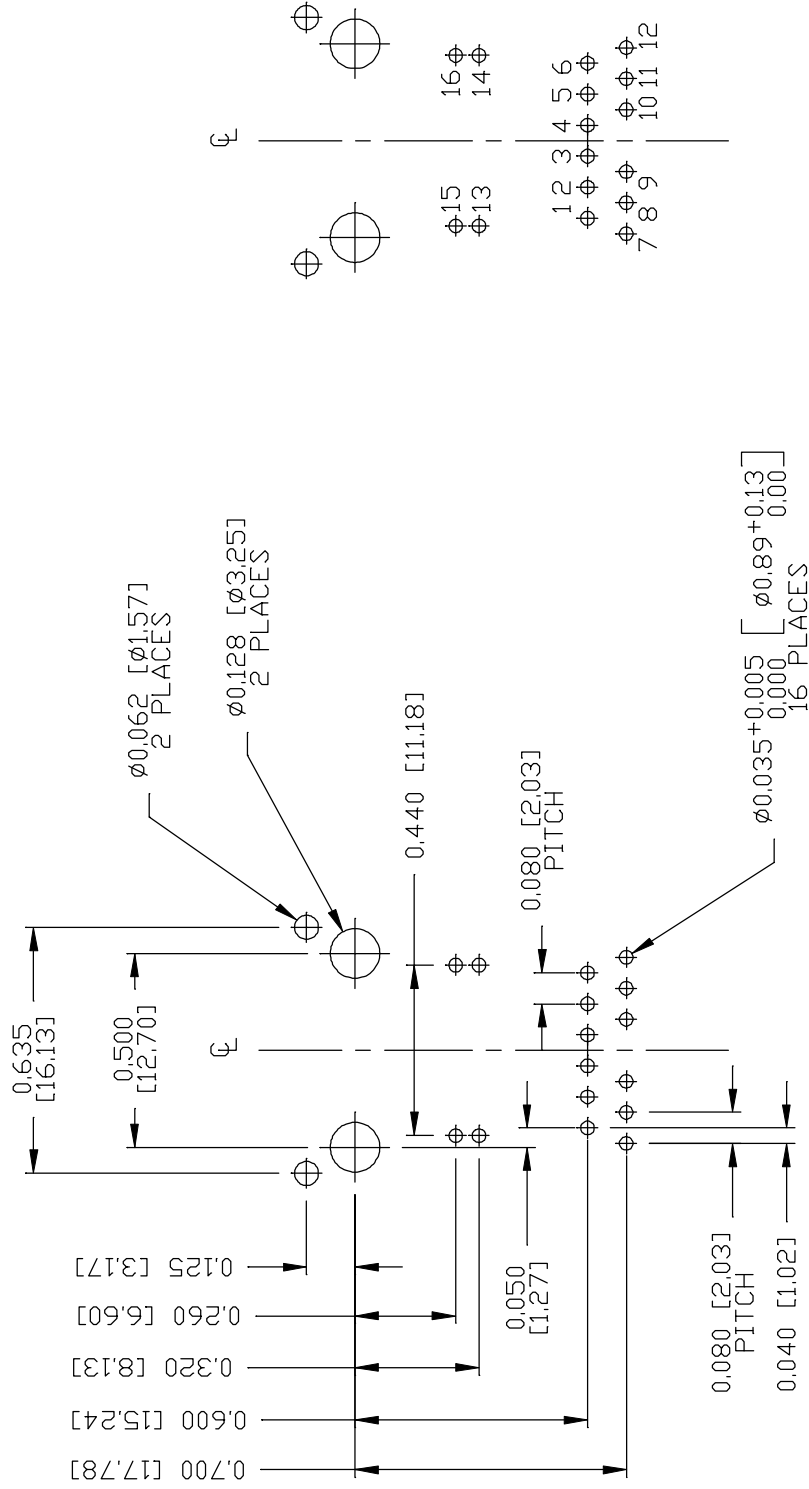
<p>REV. : A PAGE : 3</p>	
<p>STANDARD DIM. [] METRIC DIM. AS REF.</p>	
<p>TOL. IN INCH UNIT : INCH [mm]</p>	
<p>.X SCALE : N/A</p>	
<p>.XX SIZE : A4</p>	
<p>.XXX</p>	
<p>PART NO. / DRAWING NO. 0816-1X1T-HS-F</p>	
<p>FILE NAME 0816-1X1T-HS-F_A.DWG</p>	
<p>TITLE gigabit MagJack® (4PPoE, 100W, Extended Temp.) PATENTED</p>	
<p>ORIGINATED BY LI QUANKUN</p>	
<p>DATE 2022-10-10</p>	
<p>DRAWN BY OLIVER ZHANG</p>	
<p>DATE 2022-10-10</p>	



THE INFORMATION CONTAINED HEREIN IS CONSIDERED "PROPRIETARY" TO BEL FUSE INC. AND SHALL NOT BE COPIED, REPRODUCED OR DISCLOSED WITHOUT THE WRITTEN APPROVAL OF BEL FUSE INC.



RECOMMENDED PCB FOOTPRINT
COMPONENT SIDE VIEW



REV. :	A	PAGE :	4
		MAGNETIC SOLUTIONS a bel group	

STANDARD DIM. TOL. IN INCH	[] METRIC DIM. AS REF.
.X	UNIT : INCH [mm]
.XX	SCALE : N/A
.XXX	SIZE : A4

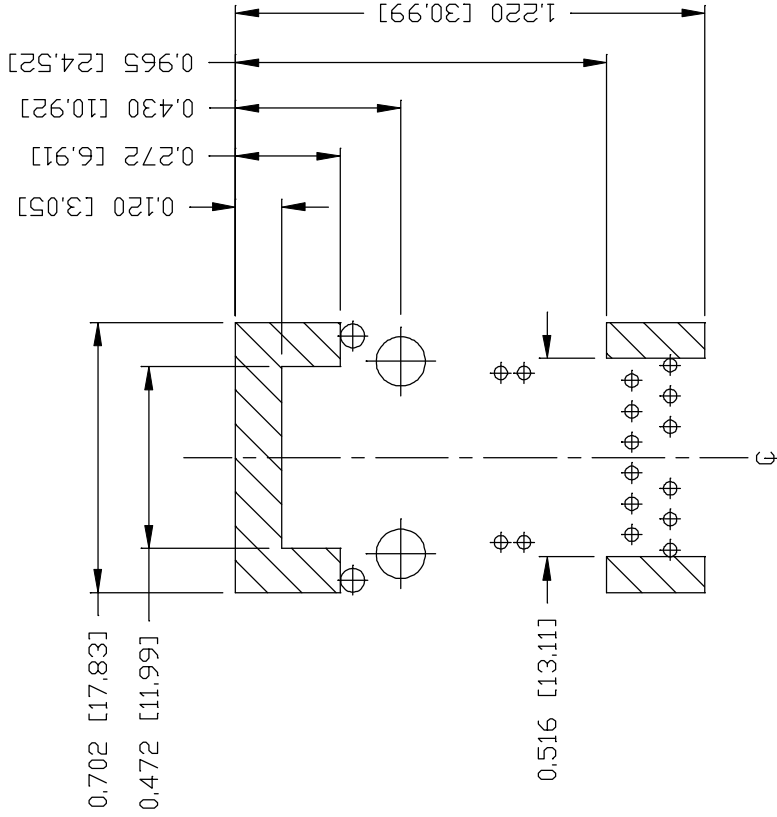
PART NO. / DRAWING NO.	0816-1X1T-HS-F
FILE NAME	0816-1X1T-HS-F_A.DWG

TITLE	gigabit MagJack® (4PPoE, 100W, Extended Temp.) PATENTED
-------	---

ORIGINATED BY	LI QUANKUN
DATE	2022-10-10
DRAWN BY	OLIVER ZHANG
DATE	2022-10-10

This document is electronically generated. This is a controlled copy if used internally

THE INFORMATION CONTAINED HEREIN IS CONSIDERED "PROPRIETARY" TO BEL FUSE INC. AND SHALL NOT BE COPIED, REPRODUCED OR DISCLOSED WITHOUT THE WRITTEN APPROVAL OF BEL FUSE INC.



NOTES:

THE SHADED AREA ON THE CUSTOMER BOARD ARE RECOMMENDED TO BE CLEAR OFF ANY VIA HOLE OR COMPONENT PAD.

ORIGINATED BY LI QUANKUN DATE 2022-10-10 DRAWN BY OLIVER ZHANG DATE 2022-10-10		TITLE glgabit MagJack® <4PPoE, 100W, Extended Temp.> PATENTED		PART NO. / DRAWING NO. 0816-1X1T-HS-F FILE NAME 0816-1X1T-HS-F_A.DWG		STANDARD DIM. TOL. IN INCH .X .XX .XXX		AS REF. [] METRIC DIM. UNIT : INCH [mm] SCALE : N/A SIZE : A4		REV. : A PAGE : 5
---	--	---	--	---	--	---	--	---	--	------------------------------------

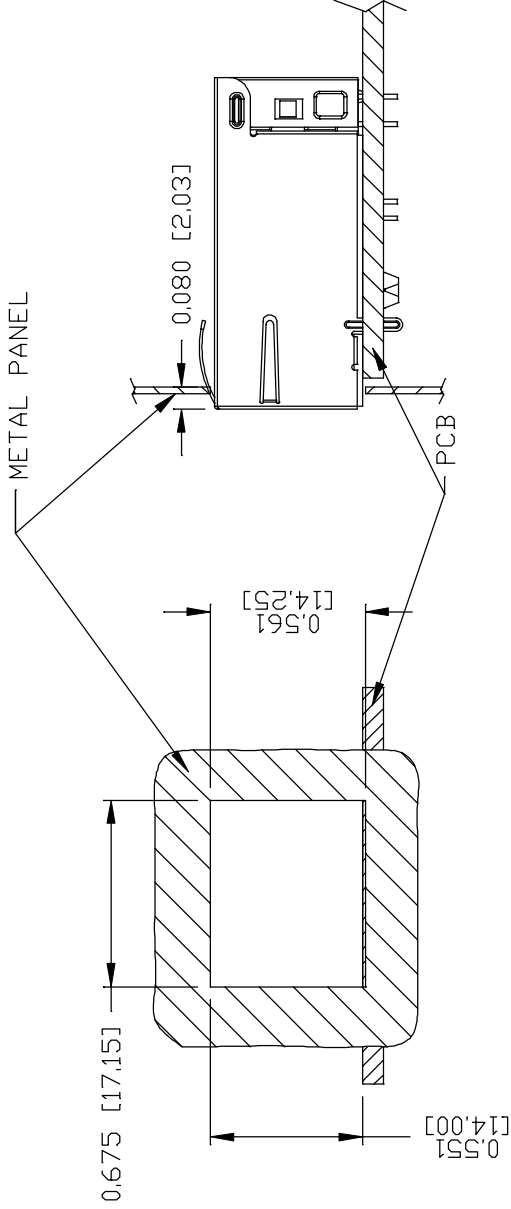


This document is electronically generated. This is a controlled copy if used internally

THE INFORMATION CONTAINED HEREIN IS CONSIDERED "PROPRIETARY" TO BEL FUSE INC. AND SHALL NOT BE COPIED, REPRODUCED OR DISCLOSED WITHOUT THE WRITTEN APPROVAL OF BEL FUSE INC.



SUGGESTED PANEL OPENING



NOTE:

THE DISTANCE OF PANEL INSIDE SURFACE RELATIVE TO FRONT SURFACE OF PART IS ONLY A SUGGESTION. IN CASE THIS DISTANCE IS DIFFERENT, THE REQUIRED PANEL OPENING DIMENSIONS CHANGE ACCORDINGLY.

PACKING INFORMATION

PACKING TRAY : 0200-9999-F1 (TOP)

0200-9999-F2 (BOTTOM)

PACKING QUANTITY : 40 PCS FINISHED GOODS PER TRAY

10 TRAYS (400 PCS FINISHED GOODS) PER CARTON BOX

NOTE : CARDBOARDS ARE PLACED BETWEEN LAYERS OF PACKING TRAY INSIDE CARTON BOX (INCLUDE THE UPPERMOST AND LOWERMOST TRAY)

REV. : A		PAGE : 6	
 a bel group		[] METRIC DIM. AS REF.	
PART NO. / DRAWING NO. 0816-1X1T-HS-F		STANDARD DIM. TOL. IN INCH	
FILE NAME 0816-1X1T-HS-F_A.DWG		UNIT : INCH [mm] SCALE : N/A	
TITLE 10GbE, 100W, Extended Temp.) PATENTED		X .XX .XXX	
ORIGINATED BY LI QUANKUN		±0.005	
DATE 2022-10-10		SIZE : A4	
DRAWN BY OLIVER ZHANG			
DATE 2022-10-10			

This document is electronically generated. This is a controlled copy if used internally