

THE INFORMATION CONTAINED HEREIN IS CONSIDERED "PROPRIETARY" TO BEL FUSE, INC. AND SHALL NOT BE COPIED, REPRODUCED OR DISCLOSED WITHOUT THE WRITTEN APPROVAL OF BEL FUSE, INC.

RoHS



ELECTRICAL CHARACTERISTICS @ 25°C

URNS RATIO 1CT : 1CT ±3%

CL @ 0.1V, 100KHZ

8mA DC BIAS

RETURN LOSS (MIN.)

1MHZ-30MHZ

60MHZ-80MHZ

INSERTION LOSS(MAX)

100KHZ TO 100MHZ

XTALK

100KHZ TO 100MHZ

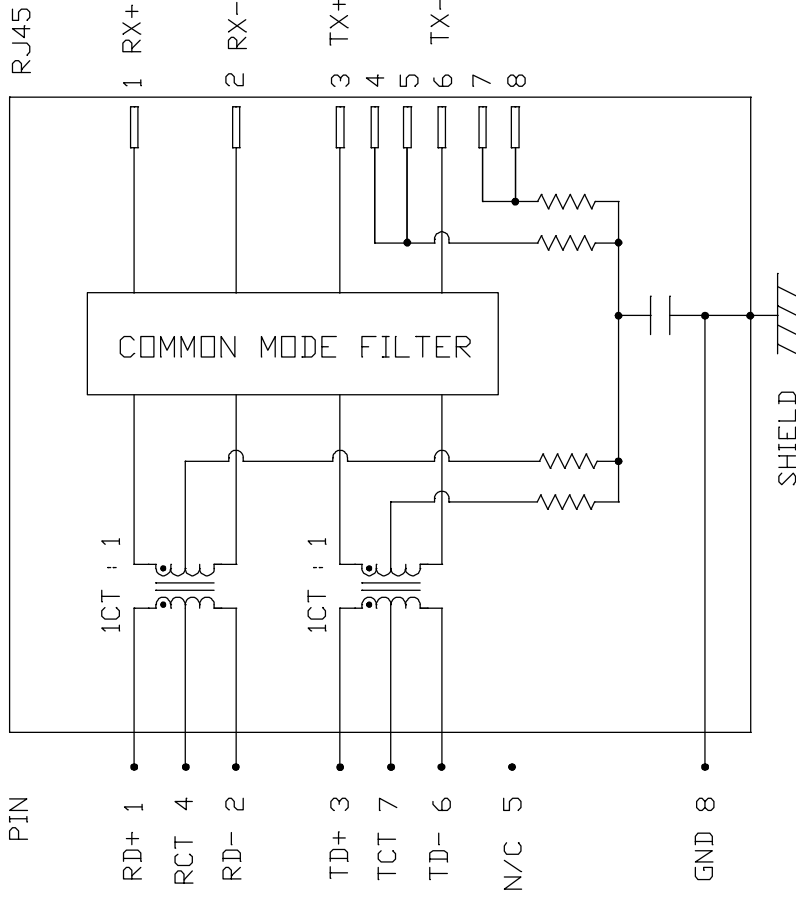
HIPOT (Isolation Voltage): 1500 Vrms or 2250VDC

100% OF PRODUCTION TESTED TO COMPLY WITH

IEEE 802.3 ISOLATION REQUIREMENTS.

OPERATING TEMPERATURE: 0°C TO +70°C.

SCHEMATIC



ORIGINATED BY
CHOW WANCHUNG

DATE 2017-12-09

DRAWN BY
LI LINFENG

DATE 2017-12-09

TITLE

2X6 MagJack®
(4 Cores)
0811-2X6R-28-F

PART NO. / DRAWING NO.

08112X6R28-F

FILE NAME

08112X6R28-F_D.DWG

STANDARD DIM.
TOL. IN INCH

.X

.XX

.XXX

[] METRIC DIM.
AS REF.

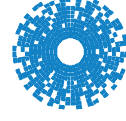
UNIT : INCH [mm]

SCALE : N/A

SIZE : A4

REV. : D

PAGE : 2

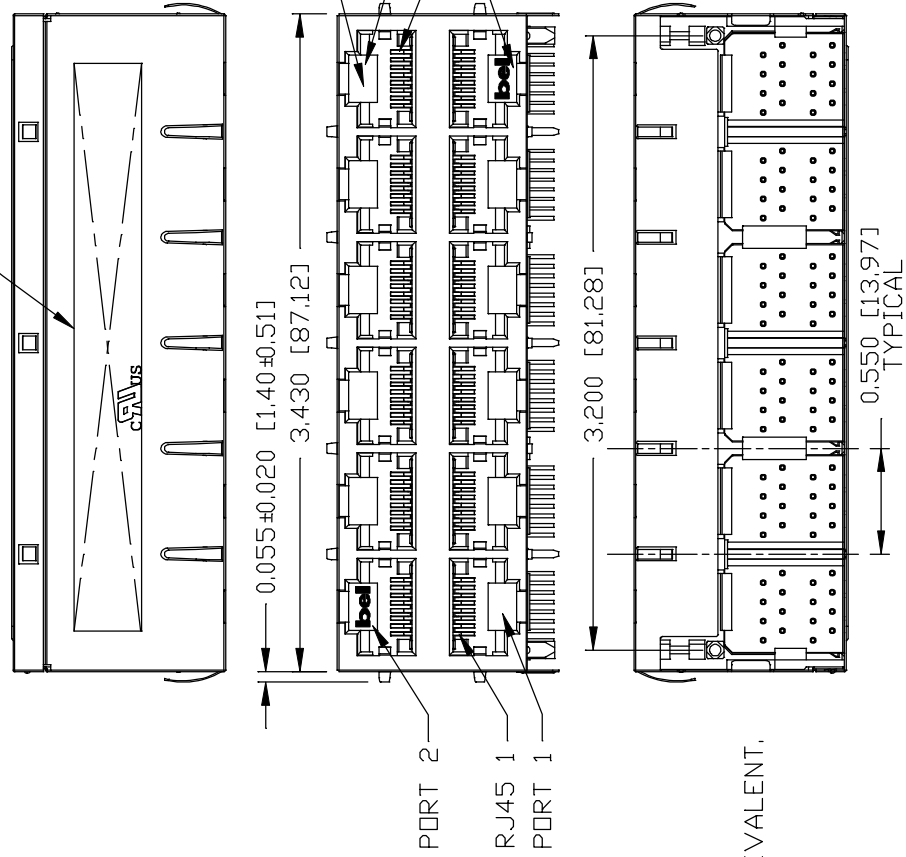
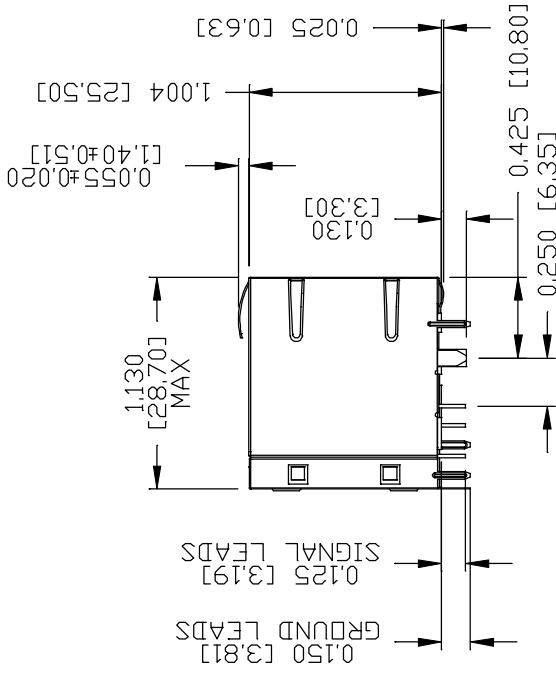


bel
a bel group
MAGNETIC SOLUTIONS

This document is electronically generated. This is a controlled copy if used internally

DC002(2)120214

THE INFORMATION CONTAINED HEREIN IS CONSIDERED "PROPRIETARY" TO BEL FUSE INC. AND SHALL NOT BE COPIED, REPRODUCED OR DISCLOSED WITHOUT THE WRITTEN APPROVAL OF BEL FUSE INC.

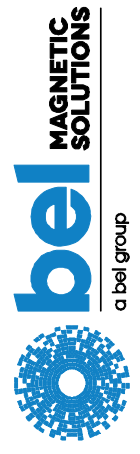


NOTES:
 PLASTIC HOUSING: THERMOPLASTIC PBT, BLACK
 FLAMMABILITY RATING UL 94V-0
 CONTACT PLATING: 30 MICRO-INCH HARD GOLD PLATING OR EQUIVALENT.
 OUTPUT PINS: TIN-COATED COPPER WIRE, DIA 0.018 INCH.
 100 MICRO-INCH MIN MATTE TIN.
 PINS ARE SOLDER DIPPED.
 METAL SHIELD: NICKEL PLATED COPPER ALLOY.
 (ALL GROUND LEADS ARE SOLDER DIPPED)
 [1] JACK CAVITY CONFORMS TO FCC RULES AND REGULATIONS,
 PART 68 SUBPART F.
 [2] MARK PART WITH MFG LOGO, MFG NAME, PART NUMBER AND DATE CODE.
 3. THE PRODUCT IS RoHS COMPLIANT.

4. THE PART IS RECOMMENDED FOR WAVE SOLDERING. THE SUGGESTED PEAK WAVE SOLDERING CONDITION IS 260°C MAX AND 10 SECONDS MAX.

USUL RECOGNIZED - FILE #E196366 AND E169987.

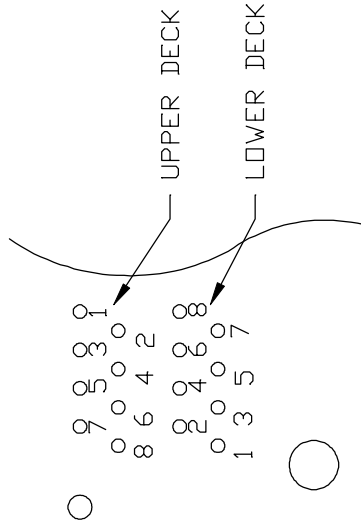
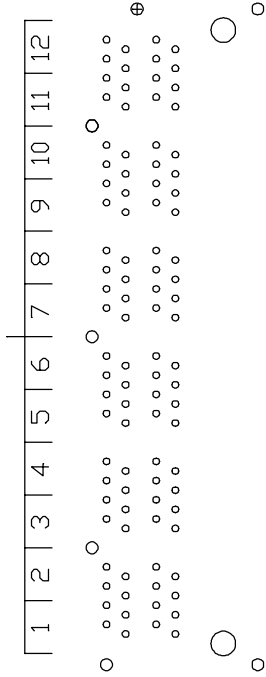
ORIGINATED BY ANTON LIAO		TITLE 2X6 MagJack® (4 Cores)		PART NO. / DRAWING NO. 08112X6R28-F	STANDARD DIM. TOL. IN INCH	[] METRIC DIM. AS REF.	REV. : D	PAGE : 3
DATE 2017-12-09		0811-2X6R-28-F		FILE NAME 08112X6R28-F_D.DWG	UNIT : INCH [mm]			
DRAWN BY LI GUANKUN					SCALE : N/A			
DATE 2017-12-09					SIZE : A4			



THE INFORMATION CONTAINED HEREIN IS CONSIDERED "PROPRIETARY" TO BEL FUSE INC. AND SHALL NOT BE COPIED, REPRODUCED OR DISCLOSED WITHOUT THE WRITTEN APPROVAL OF BEL FUSE INC.

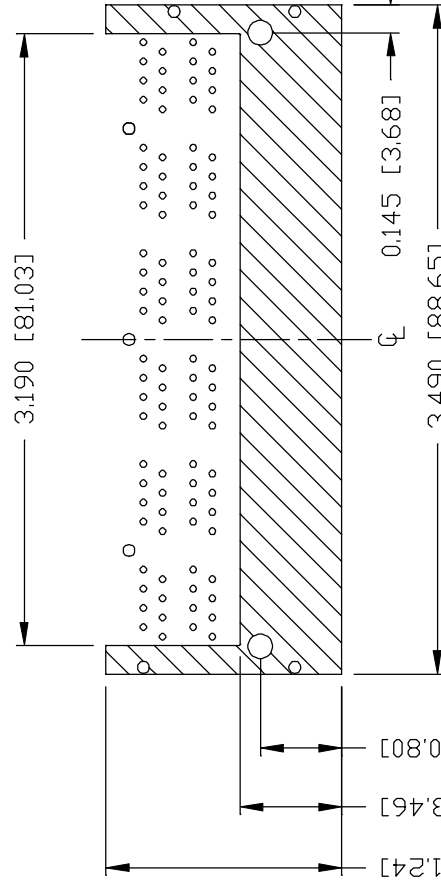
RoHS

PORT ASSIGNMENT
(COMPONENT SIDE VIEW)



PIN-OUT INFORMATION
(COMPONENT SIDE VIEW)

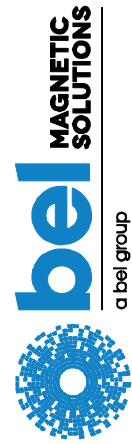
8	GND
7	TCT
6	TD-
5	N/C
4	RCT
3	TD +
2	RD -
1	RD +



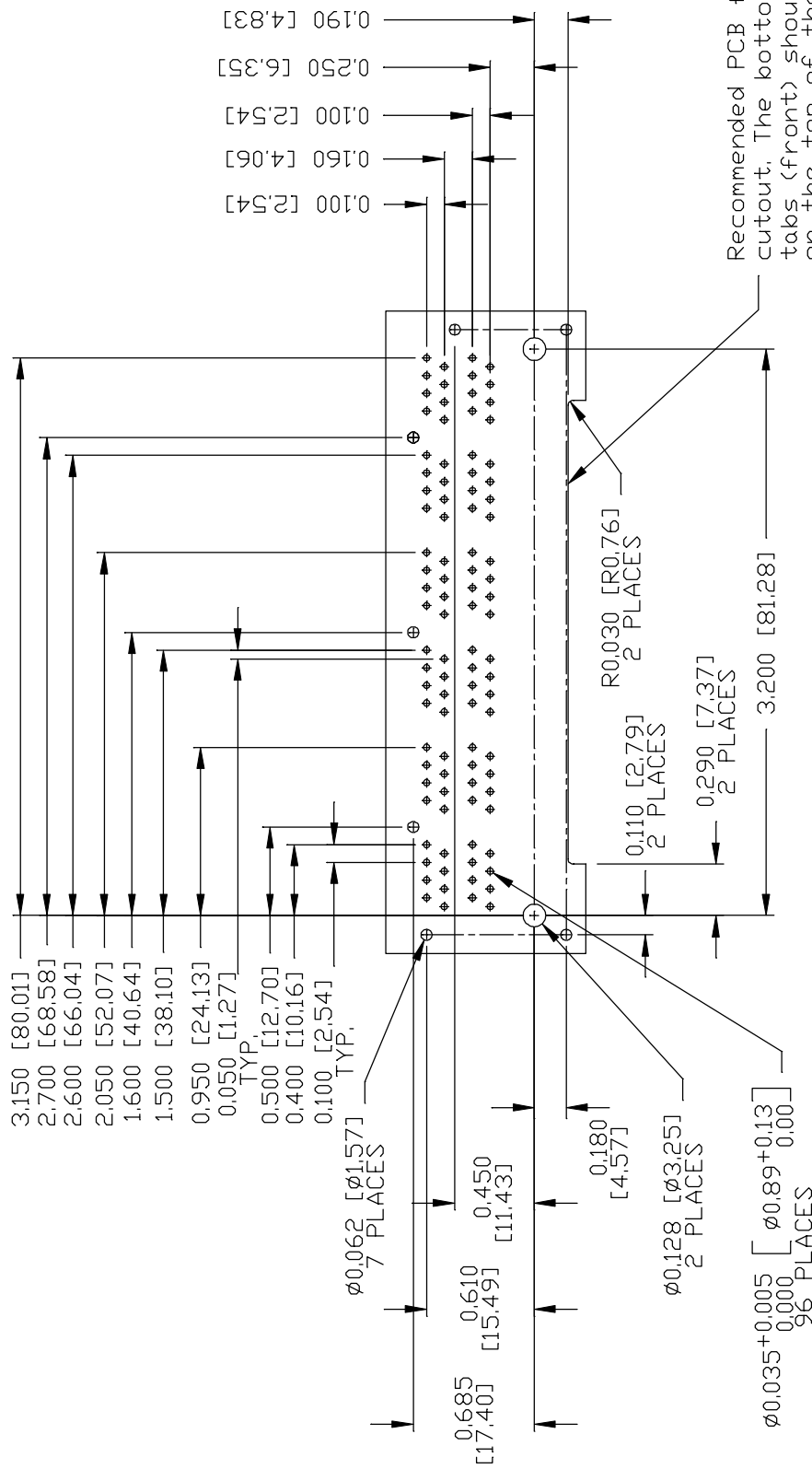
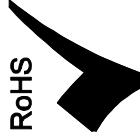
NOTES:

THE SHADED AREA ON THE CUSTOMER BOARD ARE RECOMMENDED TO BE CLEAR OFF ANY VIA HOLE OR COMPONENT PAD.


REV. :	D	PAGE :	4
PART NO. / DRAWING NO.		STANDARD DIM. TOL. IN INCH	[] METRIC DIM. AS REF.
08112X6R28-F		.X	UNIT : INCH [mm]
FILE NAME		.XX	SCALE : N/A
08112X6R28-F_D.DWG		.XXX	±0.004
TITLE		SIZE : A4	
ORIGINATED BY	2X6 MagJack®		
ANTON LIAO	(4 Cores)		
DATE	0811-2X6R-28-F		
2017-12-09			
DRAWN BY			
LI QUANKUN			
DATE			
2017-12-09			



THE INFORMATION CONTAINED HEREIN IS CONSIDERED 'PROPRIETARY' TO BEL FUSE INC. AND SHALL NOT BE COPIED, REPRODUCED OR DISCLOSED WITHOUT THE WRITTEN APPROVAL OF BEL FUSE INC.



SUGGESTED FOOTPRINT
(COMPONENT SIDE VIEW)

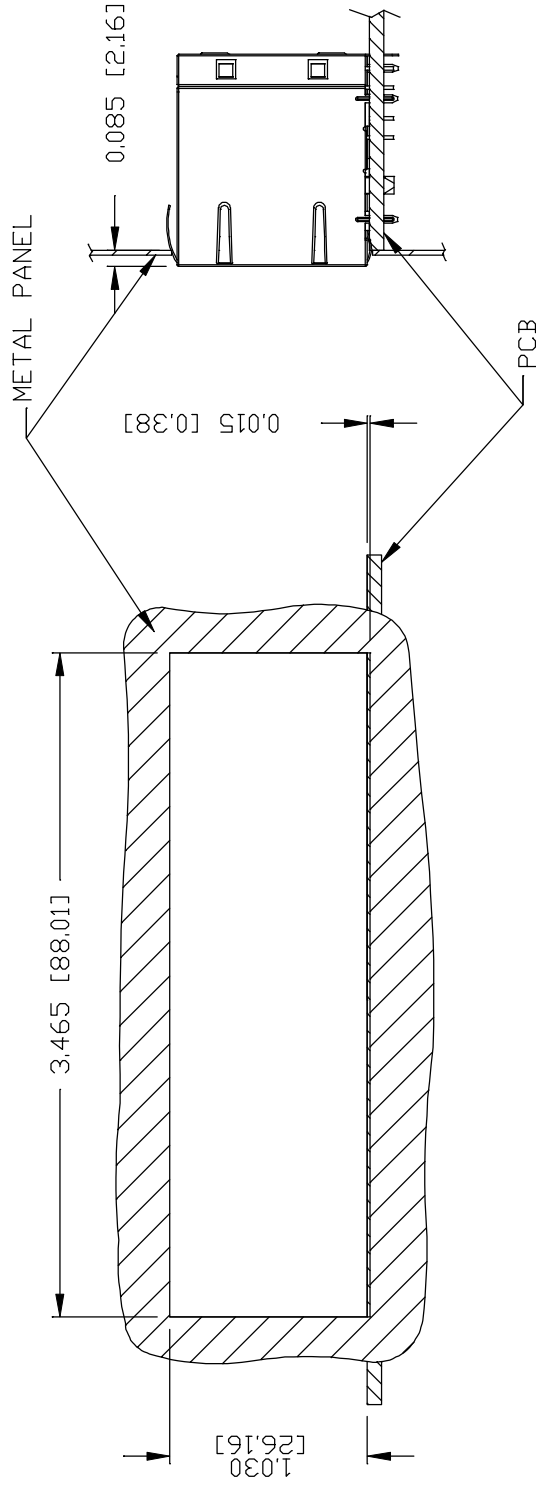
REV. : D PAGE : 5		
 bel MAGNETIC SOLUTIONS a bel group		
PART NO. / DRAWING NO. 08112X6R28-F	STANDARD DIM. TOL. IN INCH .X .XX .XXX ±0.004	[] METRIC DIM. AS REF. UNIT : INCH [mm] SCALE : N/A SIZE : A4
FILE NAME 08112X6R28-F_D.DWG	TITLE 2X6 MagJack® (4 Cores) 0811-2X6R-28-F	
ORIGINATED BY ANTON LIAO DATE 2017-12-09 DRAWN BY LI GUANKUN DATE 2017-12-09	This document is electronically generated. This is a controlled copy if used internally DC002(2)120214	

THE INFORMATION CONTAINED HEREIN IS CONSIDERED 'PROPRIETARY' TO BEL FUSE, INC. AND, SHALL NOT BE COPIED, REPRODUCED OR DISCLOSED WITHOUT THE WRITTEN APPROVAL OF BEL FUSE, INC.

RoHS



SUGGESTED PANEL OPENING



NOTE:

THE DISTANCE OF PANEL INSIDE SURFACE RELATIVE TO FRONT SURFACE OF PART IS ONLY A SUGGESTION. IN CASE THIS DISTANCE IS DIFFERENT, THE REQUIRED PANEL OPENING DIMENSIONS CHANGE ACCORDINGLY.

PACKING INFORMATION

PACKING TRAY : 0200-9999-A9 (TOP)
0200-9999-A8 (BOTTOM)

PACKING QUANTITY : 15 PCS FINISHED GOODS PER TRAY
7 TRAYS (105 PCS FINISHED GOODS) PER CARTON BOX

NOTE : CARDBOARDS ARE PLACED BETWEEN LAYERS OF PACKING TRAY INSIDE CARTON BOX
(INCLUDE THE UPPERMOST AND LOWERMOST TRAY)

REV. : D		PAGE : 6	
STANDARD DIM. TOL. IN INCH		[] METRIC DIM. AS REF.	
.X		UNIT : INCH [mm]	
.XX		SCALE : N/A	
.XXX	±0.004	SIZE : A4	
PART NO. / DRAWING NO.		08112X6R28-F	
FILE NAME		08112X6R28-F_D.DWG	
TITLE		2X6 MagJack® (4 Cores) 0811-2X6R-28-F	
ORIGINATED BY	ANTON LIAO		
DATE	2017-12-09		
DRAWN BY	LI QUANKUN		
DATE	2017-12-09		



DC002(2)120214 This document is electronically generated. This is a controlled copy if used internally