

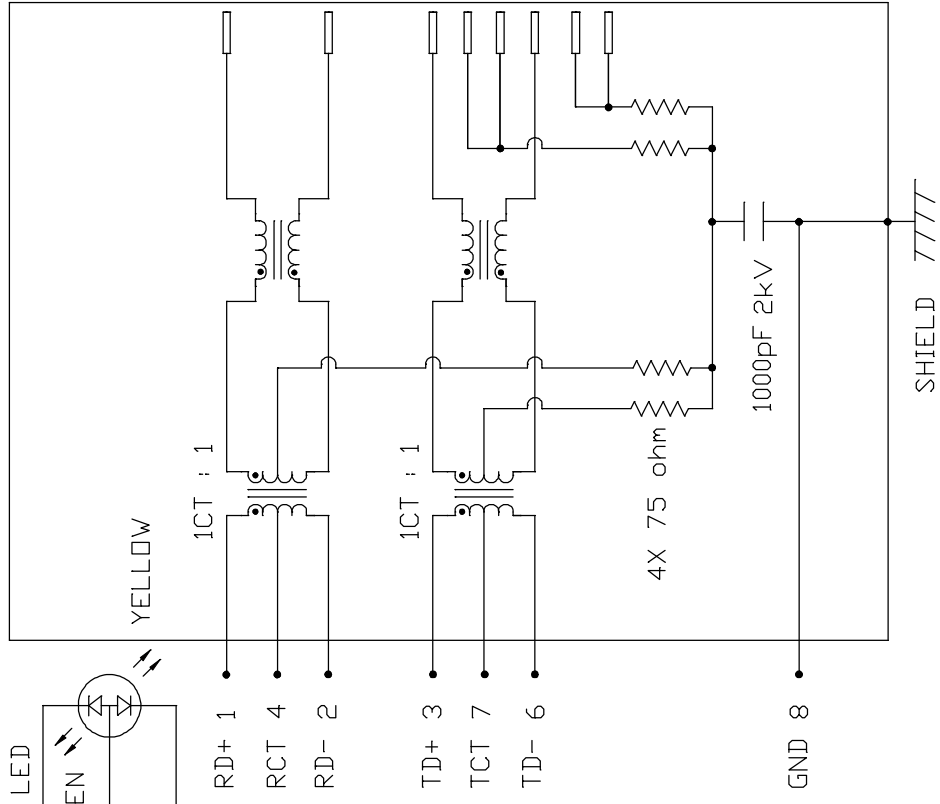
THE INFORMATION CONTAINED HEREIN IS CONSIDERED "PROPRIETARY" TO BEL FUSE INC. AND SHALL NOT BE COPIED, REPRODUCED OR DISCLOSED WITHOUT THE WRITTEN APPROVAL OF BEL FUSE INC.



LED POLARITY			
PIN 9	PIN 10	PIN 11	COLOR
-	+		GREEN
	+	-	YELLOW

ELECTRICAL CHARACTERISTICS @ 25°C

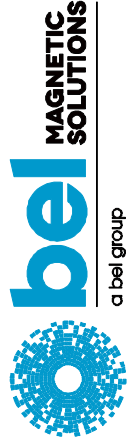
- URNS RATIO
DCL @ 0.1V, 100KHZ
8mA DC BIAS
INSERTION LOSS
100KHz TO 100MHZ
RETURN LOSS (MIN.)
1MHZ-30MHZ
60MHZ-80MHZ
CM TO CM
1MHZ-100MHZ
XTALK
1MHZ TO 60MHZ
60MHZ TO 100MHZ
HIPOT (Isolation Voltage): 1500 Vrms
100% OF PRODUCT TESTED IN PRODUCTION
TO COMPLY WITH IEEE 802.3 REQUIREMENTS



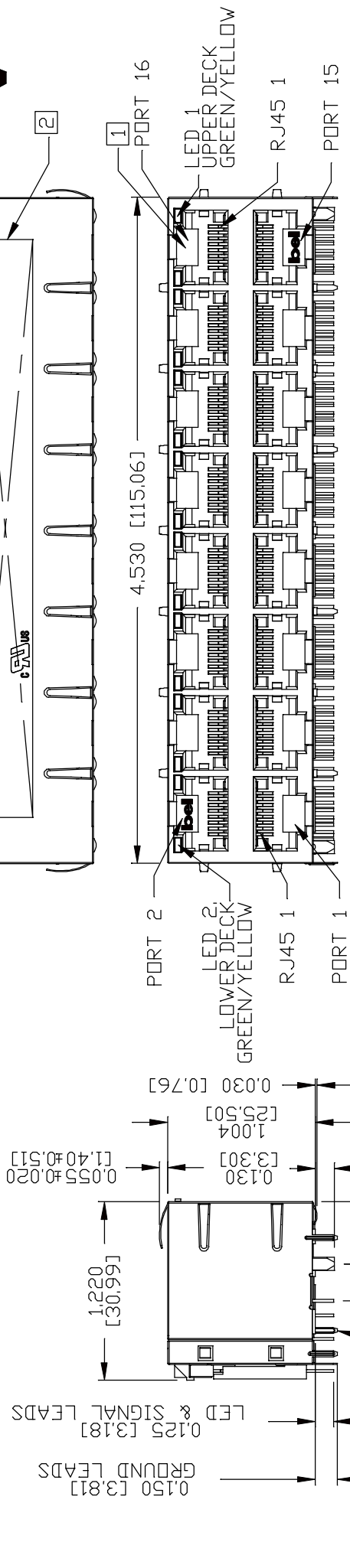
- LED
VF (FORWARD VOLTAGE) IF=20mA GREEN 2.2V TYP.
YELLOW 2.1V TYP.
λD (DOMINANT WAVELENGTH) IF=20mA GREEN 570nm TYP.
YELLOW 590nm TYP.
OPERATING TEMPERATURE: 0°C TO +70°C.

REV. : E		PAGE : 2	
STANDARD DIM. [] METRIC DIM. AS REF.		PART NO. / DRAWING NO. 08102H8R28-F	
TOL. IN INCH	UNIT : INCH [mm]	FILE NAME 08102H8R28-F_E.DWG	
.X	SCALE : N/A	TITLE 2X8 MagJack® with LED	
.XX	SIZE : A4	ORIGINATED BY CHOW WANCHUNG	
.XXX		DATE 2019-09-24	
		DRAWN BY XIE YIMING	
		DATE 2019-09-24	

This document is electronically generated. This is a controlled copy if used internally



THE INFORMATION CONTAINED HEREIN IS CONSIDERED "PROPRIETARY" TO BEL FUSE INC. AND SHALL NOT BE COPIED, REPRODUCED OR DISCLOSED WITHOUT THE WRITTEN APPROVAL OF BEL FUSE INC.

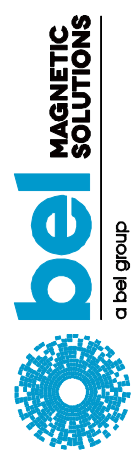


SOLDER DIPPED GROUND LEAD (4X)

NOTES:

- 1. JACK CAVITY CONFORMS TO FCC RULES AND REGULATIONS, PART 68 SUBPART F.
 - 2. MARK PART WITH MFG LOGO, MFG NAME, PART NUMBER AND DATE CODE.
 - 3. THE PRODUCT IS RoHS COMPLIANT.
 - 4. THE PART IS RECOMMENDED FOR WAVE SOLDERING, THE SUGGESTED PEAK WAVE SOLDERING CONDITION IS 260°C MAX AND 10 SECONDS MAX.
- PLASTIC HOUSING: THERMOPLASTIC PBT, BLACK
 FLAMMABILITY RATING UL 94V-0
 CONTACT PLATING: 30 MICRO-INCH HARD GOLD PLATING OR EQUIVALENT.
 OUTPUT PINS: TIN-COATED COPPER WIRE, DIA 0.018 INCH, 100 MICRO-INCH MIN MATTE TIN, PINS ARE SOLDER DIPPED.
 METAL SHIELD: NICKEL PLATED ON COPPER ALLOY, (ALL GROUND LEADS ARE SOLDER DIPPED)

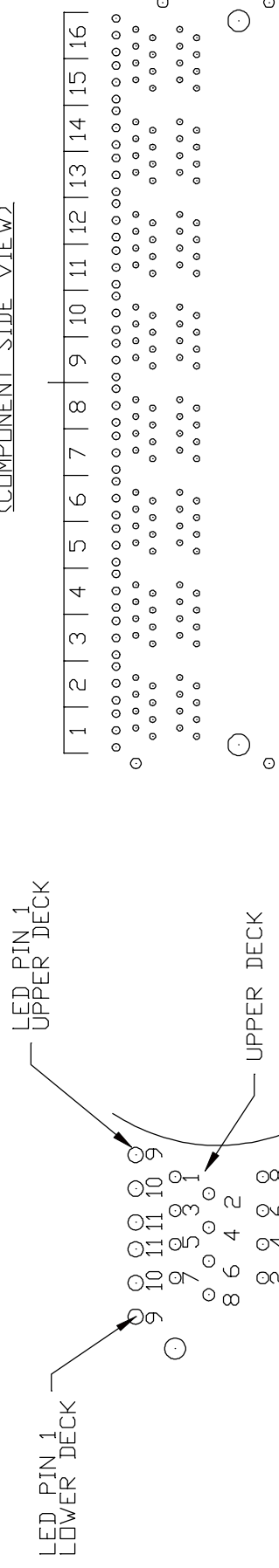
ORIGINATED BY SANDY LIN DATE 2019-09-24 DRAWN BY RUAN WENJUN DATE 2019-09-24		TITLE 2X8 MagJack® with LED 0810-2H8R-28-F		PART NO. / DRAWING NO. 08102H8R28-F FILE NAME 08102H8R28-F_E.DWG	STANDARD DIM. TOL. IN INCH X XX XXX -0.010 [] METRIC DIM. AS REF. UNIT : INCH [mm] SCALE : N/A SIZE : A4	REV. : E PAGE : 3
---	--	---	--	---	--	------------------------------------



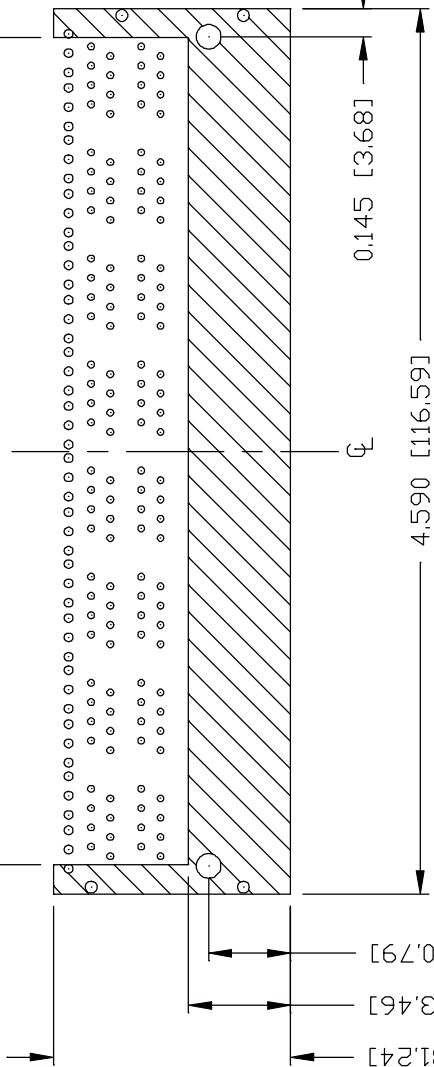
THE INFORMATION CONTAINED HEREIN IS CONSIDERED "PROPRIETARY" TO BEL FUSE INC. AND SHALL NOT BE COPIED, REPRODUCED OR DISCLOSED WITHOUT THE WRITTEN APPROVAL OF BEL FUSE INC.



PORT ASSIGNMENT
(COMPONENT SIDE VIEW)



4.290 [108.97]



PIN-OUT INFORMATION
(COMPONENT SIDE VIEW)

11	YELLOW LED CATHODE
10	COMMON ANODE
9	GREEN LED CATHODE
8	GND
7	TCT
6	TD-
5	N/C
4	RCT
3	TD+
2	RD-
1	RD+

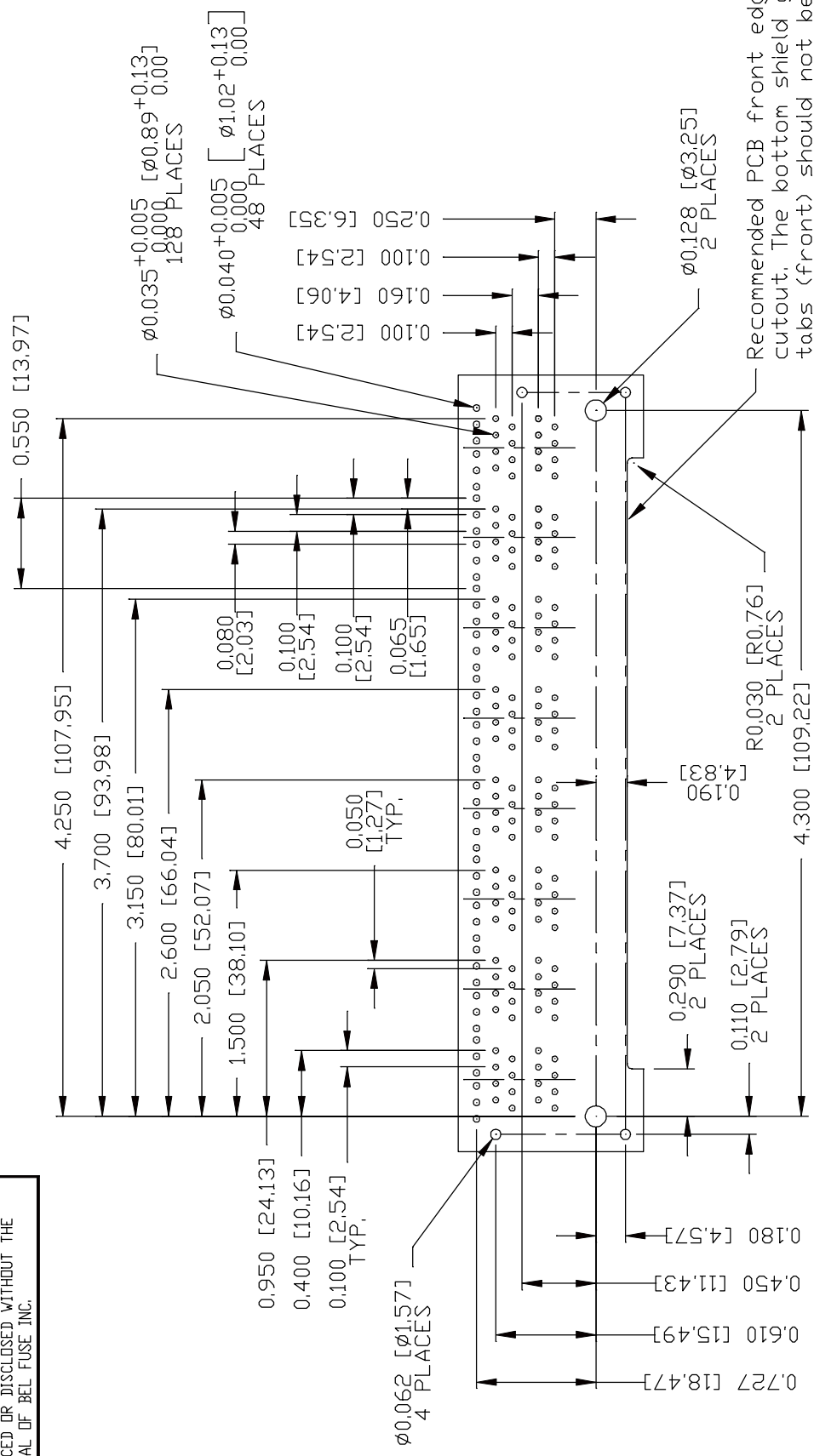
THE SHADED AREA ON THE CUSTOMER BOARD ARE RECOMMENDED TO BE CLEAR OFF ANY VIA HOLE OR COMPONENT PAD.

REV. : E PAGE : 4

ORIGINATED BY SANDY LIN DATE 2019-09-24 DRAWN BY RUAN WENJUN DATE 2019-09-24	TITLE 2X8 MagJack® with LED 0810-2H8R-28-F		PART NO. / DRAWING NO. 08102H8R28-F	STANDARD DIM. TOL. IN INCH <input type="checkbox"/> METRIC DIM. AS REF.
	FILE NAME 08102H8R28-F_E.DWG		UNIT : INCH [mm] SCALE : N/A <input type="checkbox"/> .XXX ±0.004 <input type="checkbox"/> SIZE : A4	 a bel group

This document is electronically generated. This is a controlled copy if used internally

THE INFORMATION CONTAINED HEREIN IS CONSIDERED 'PROPRIETARY' TO BEL FUSE INC. AND SHALL NOT BE COPIED, REPRODUCED OR DISCLOSED WITHOUT THE WRITTEN APPROVAL OF BEL FUSE INC.

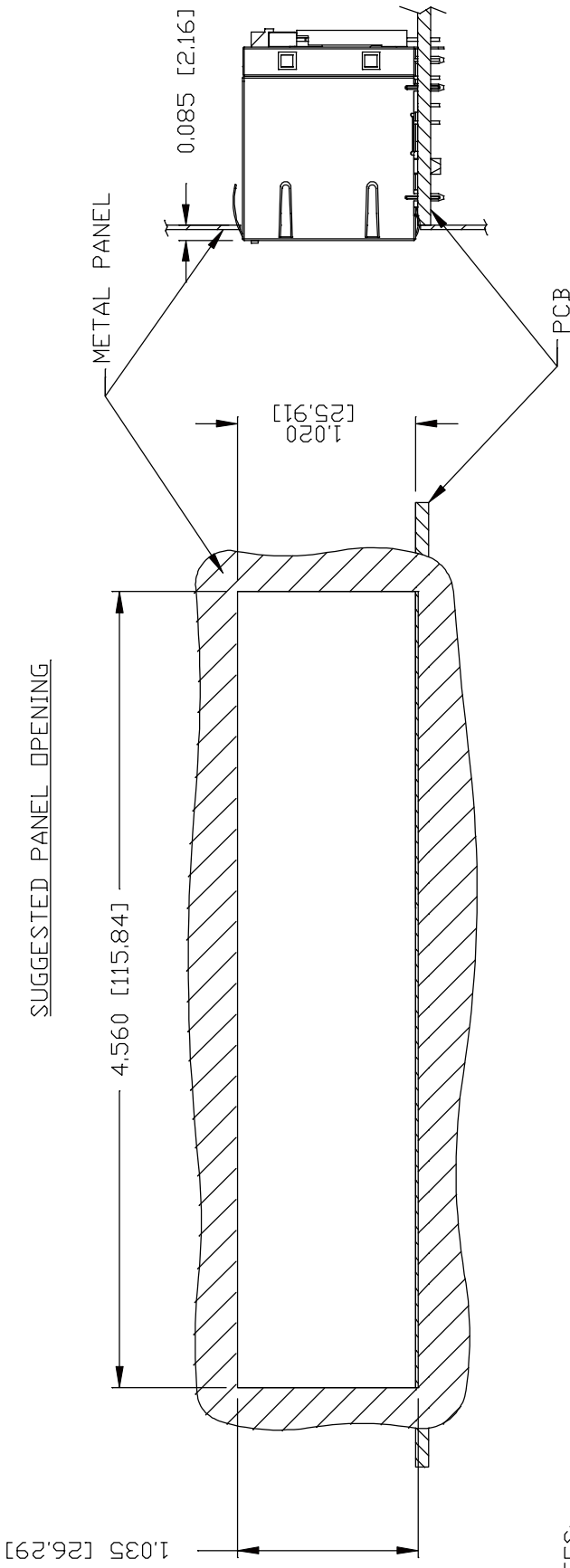


SUGGESTED FOOTPRINT
(COMPONENT SIDE VIEW)

REV. : E		PAGE : 5	
PART NO. / DRAWING NO. 08102H8R28-F		STANDARD DIM. [] METRIC DIM. AS REF.	
FILE NAME 08102H8R28-F_E.DWG		TOL. IN INCH X XX XXX	
TITLE 2X8 MagJack® with LED 0810-2H8R-28-F		UNIT : INCH [mm] SCALE : N/A	
ORIGINATED BY SANDY LIN	DATE 2019-09-24	±0.004	SIZE : A4
DRAWN BY RUAN WENJUN	DATE 2019-09-24		
PC002(2)120214		This document is electronically generated. This is a controlled copy if used internally	



THE INFORMATION CONTAINED HEREIN IS CONSIDERED "PROPRIETARY" TO BEL FUSE INC. AND SHALL NOT BE COPIED, REPRODUCED OR DISCLOSED WITHOUT THE WRITTEN APPROVAL OF BEL FUSE INC.



NOTES:

THE DISTANCE OF PANEL INSIDE SURFACE RELATIVE TO FRONT SURFACE OF PART IS ONLY A SUGGESTION. IN CASE THIS DISTANCE IS DIFFERENT, THE REQUIRED PANEL OPENING DIMENSIONS CHANGE ACCORDINGLY.

PACKING INFORMATION

PACKING TRAY : 0200-9999-B2 (TOP)
 0200-9999-B3 (BOTTOM)
 PACKING QUANTITY : 10 PCS FINISHED GOODS PER TRAY
 7 TRAYS (70 PCS FINISHED GOODS) PER CARTON BOX
 NOTE : CARDBOARDS ARE PLACED BETWEEN LAYERS OF PACKING TRAY INSIDE CARTON BOX
 (INCLUDE THE UPPERMOST AND LOWERMOST TRAY)

REV. : E		PAGE : 6	
ORIGINATED BY SANDY LIN DATE 2019-09-24		TITLE 2X8 MagJack® with LED 0810-2H8R-28-F	
DRAWN BY RUAN WENJUN DATE 2019-09-24		PART NO. / DRAWING NO. 08102H8R28-F FILE NAME 08102H8R28-F_E.DWG	
STANDARD DIM. TOL. IN INCH .X .XX .XXX		[] METRIC DIM. AS REF. UNIT : INCH [mm] SCALE : N/A SIZE : A4	
±0.005		±0.005	

This document is electronically generated. This is a controlled copy if used internally

