

THE INFORMATION CONTAINED HEREIN IS CONSIDERED "PROPRIETARY" TO BEL FUSE, INC. AND SHALL NOT BE COPIED, REPRODUCED OR DISCLOSED WITHOUT THE WRITTEN APPROVAL OF BEL FUSE, INC.

ELECTRICAL CHARACTERISTICS @ 25°C

URNS RATIO
1CT : 1CT ±3%

DCL @ 0.1V, 100KHZ

8mA DC BIAS

INSERTION LOSS

100KHZ TO 100MHZ

RETURN LOSS (MIN.)

1MHZ-30MHZ

60MHZ-80MHZ

CM TO CM REJ

100kHz - 100MHZ

CM TO DM REJ

100kHz - 100MHZ

XTALK

100KHZ TO 100MHZ

HIPDT (Isolation Voltage):

1500 Vrms

100% OF PRODUCTION TESTED TO COMPLY WITH

IEEE 802.3 ISOLATION REQUIREMENTS.

OPERATING TEMPERATURE:

-40°C TO 85°C

LED

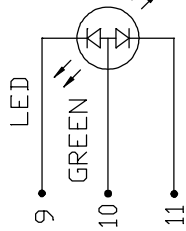
VF (FORWARD VOLTAGE)

IF=20mA GREEN 2.2V TYP,
YELLOW 2.1V TYP,

λD (DOMINANT WAVELENGTH)

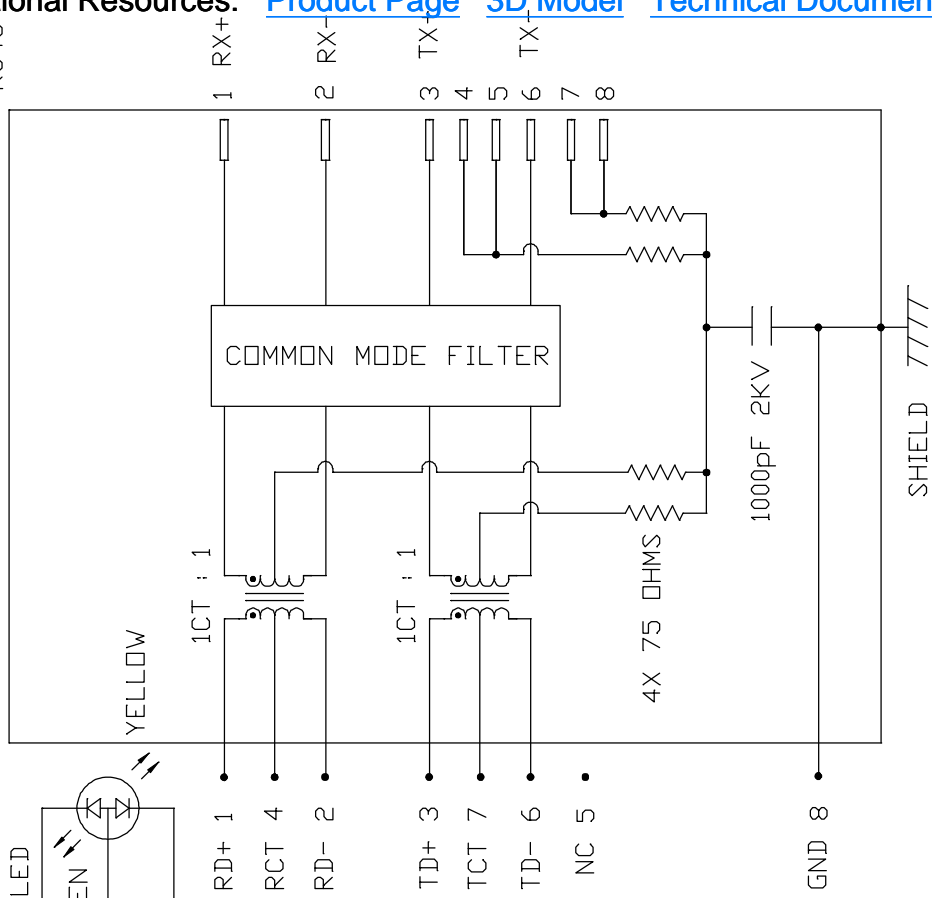
IF=20mA GREEN 570nm TYP,
YELLOW 590nm TYP.

LED POLARITY			
PIN 9	PIN 10	PIN 11	COLOR
-	+	-	GREEN
-	+	-	YELLOW



RJ45

SCHEMATIC



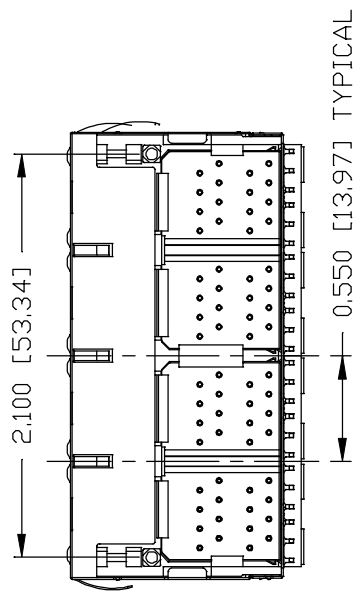
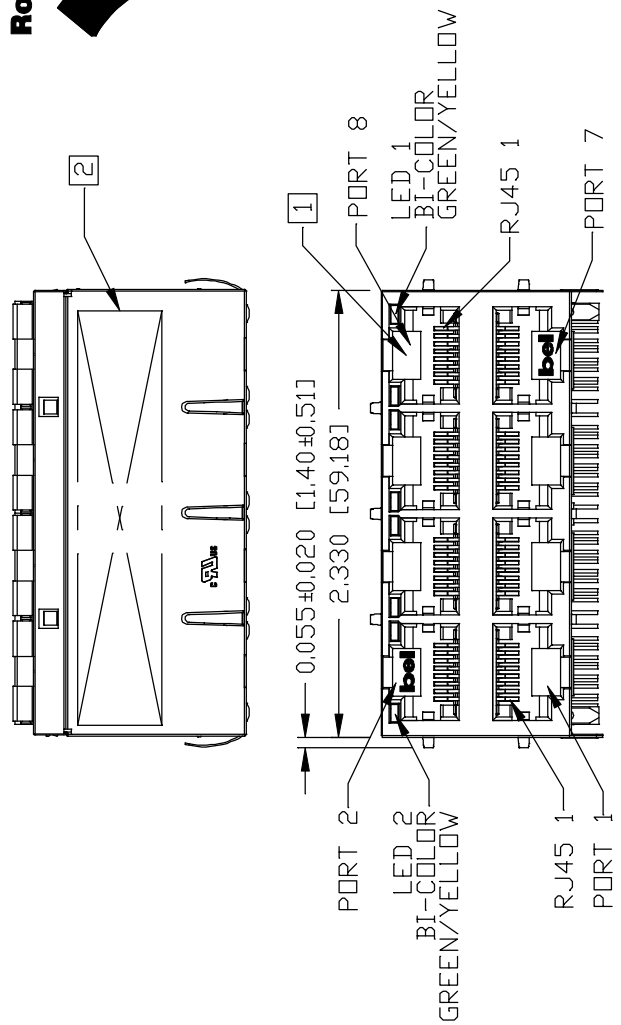
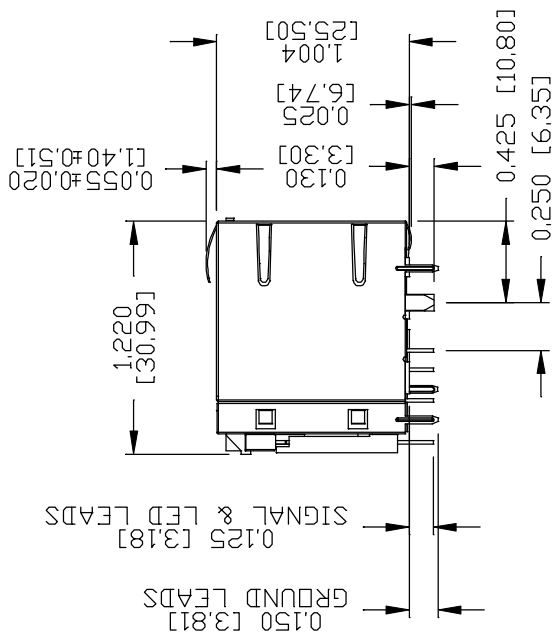
Additional Resources: [Product Page](#) [3D Model](#) [Technical Documentation](#)

ORIGINATED BY CHOW WANCHUNG		PART NO. / DRAWING NO. 08102H4R-BG-F		STANDARD DIM. TOL. IN INCH		[] METRIC DIM. AS REF.		REV. : D PAGE : 2	
DATE 2019-09-23		FILE NAME 08102H4R-BG-F_D.DWG		.X		UNIT : INCH [mm]		MAGNETIC SOLUTIONS a bel group	
DRAWN BY XIE YIMING		2X4 MagJack® WITH LED (Ext. Temp of -28) 0810-2H4R-BG-F		.XX		SCALE : N/A			
DATE 2019-09-23				.XXX		SIZE : A4			

This document is electronically generated. This is a controlled copy if used internally

DC002(2)120214

THE INFORMATION CONTAINED HEREIN IS CONSIDERED 'PROPRIETARY' TO BEL FUSE, INC. AND SHALL NOT BE COPIED, REPRODUCED OR DISCLOSED WITHOUT THE WRITTEN APPROVAL OF BEL FUSE, INC.



NOTES:

- PLASTIC HOUSING: THERMOPLASTIC PBT, BLACK
FLAMMABILITY RATING UL 94V-0
- CONTACT PLATING: 30 MICRO-INCH HARD GOLD PLATING OR EQUIVALENT.
- OUTPUT PINS:
TIN-COATED COPPER WIRE, DIA 0.018 INCH,
100 MICRO-INCH MIN MATTE TIN, PINS ARE SOLDER DIPPED,
NICKEL PLATED ON COPPER ALLOY.
- METAL SHIELD:
(ALL GROUND LEADS ARE SOLDER DIPPED)
- [1] JACK CAVITY CONFORMS TO FCC RULES AND REGULATIONS,
PART 68 SUBPART F.
- [2] MARK PART WITH MFG LOGO, MFG NAME, PART NUMBER AND DATE CODE.
- 3. THE PRODUCT IS RoHS COMPLIANT.

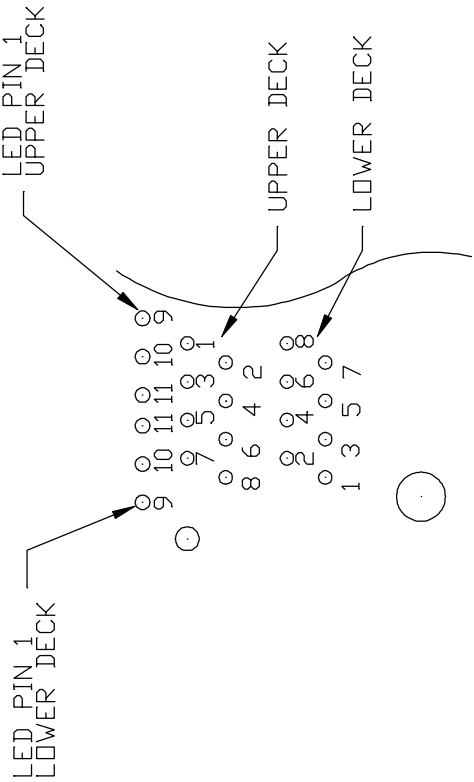
UL UL RECOGNIZED - FILE #E196366 AND E169987.

4. THE PART IS RECOMMENDED FOR WAVE SOLDERING. THE SUGGESTED PEAK WAVE SOLDERING CONDITION IS 260°C MAX AND 10 SECONDS MAX.

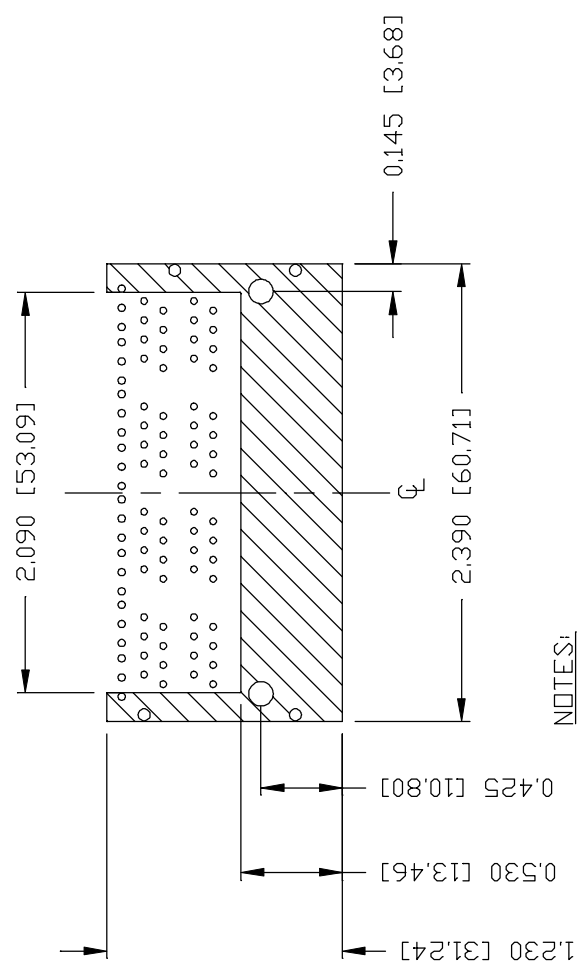
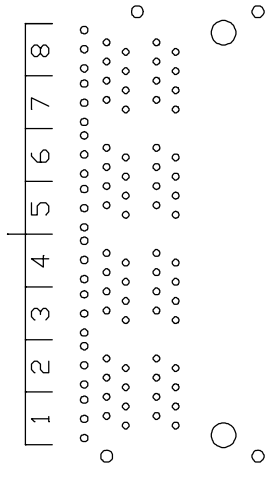
ORIGINATED BY SANDY LIN		PART NO. / DRAWING NO. 08102H4RBG-F		STANDARD DIM. TOL. IN INCH		[] METRIC DIM. AS REF.	
DATE 2019-09-23		FILE NAME 08102H4RBG-F_D.DWG		UNIT : INCH [mm]		SCALE : N/A	
DRAWN BY RUAN WENJUN				.XXX		SIZE : A4	
DATE 2019-09-23				REV. : D		PAGE : 3	
TITLE 2X4 MagJack® WITH LED (Ext. Temp of -28) 0810-2H4R-BG-F				MAGNETIC SOLUTIONS a bel group			

This document is electronically generated. This is a controlled copy if used internally

THE INFORMATION CONTAINED HEREIN IS CONSIDERED PROPRIETARY TO BEL FUSE INC. AND SHALL NOT BE COPIED, REPRODUCED OR DISCLOSED WITHOUT THE WRITTEN APPROVAL OF BEL FUSE INC.



PORT ASSIGNMENT
(COMPONENT SIDE VIEW2)



PIN-OUT INFORMATION
(COMPONENT SIDE VIEW2)

11	YELLOW LED CATHODE
10	COMMON ANODE
9	GREEN LED CATHODE
8	GND
7	TCT
6	TD-
5	NC
4	RCT
3	TD+
2	RD-
1	RD+

NOTES:

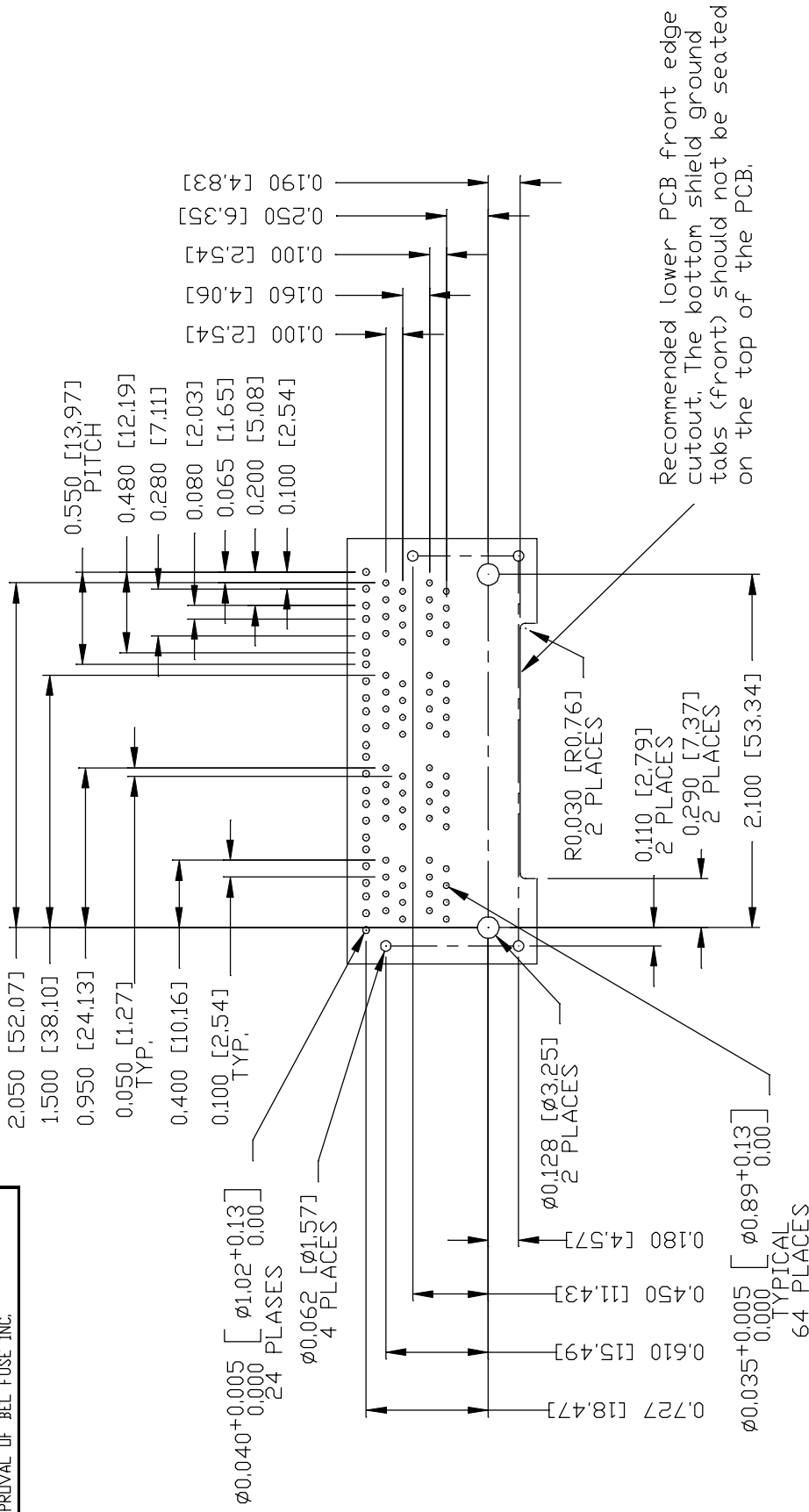
THE SHADED AREA ON THE CUSTOMER BOARD ARE RECOMMENDED TO BE CLEAR OFF ANY VIA HOLE OR COMPONENT PAD.

REV. :	D	PAGE :	4
ORIGINATED BY	SANDY LIN		
DATE	2019-09-23		
DRAWN BY	RUAN WENJUN		
DATE	2019-09-23		
TITLE	2X4 MagJack® WITH LED (Ext. Temp of -28) 0810-2H4R-BG-F		
PART NO. / DRAWING NO.	08102H4R-BG-F		
FILE NAME	08102H4R-BG-F_D.DWG		
STANDARD DIM.	[] METRIC DIM.	AS REF.	
TOL. IN INCH	UNIT : INCH [mm]		
.X	SCALE : N/A		
.XX	SIZE : A4		
.XXX	±0.004		
 MAGNETIC SOLUTIONS a bel group			

This document is electronically generated. This is a controlled copy if used internally



THE INFORMATION CONTAINED HEREIN IS CONSIDERED "PROPRIETARY" TO BEL FUSE INC. AND SHALL NOT BE COPIED, REPRODUCED OR DISCLOSED WITHOUT THE WRITTEN APPROVAL OF BEL FUSE INC.



SUGGESTED FOOTPRINT FOR LOWER PCB
(COMPONENT SIDE VIEW)

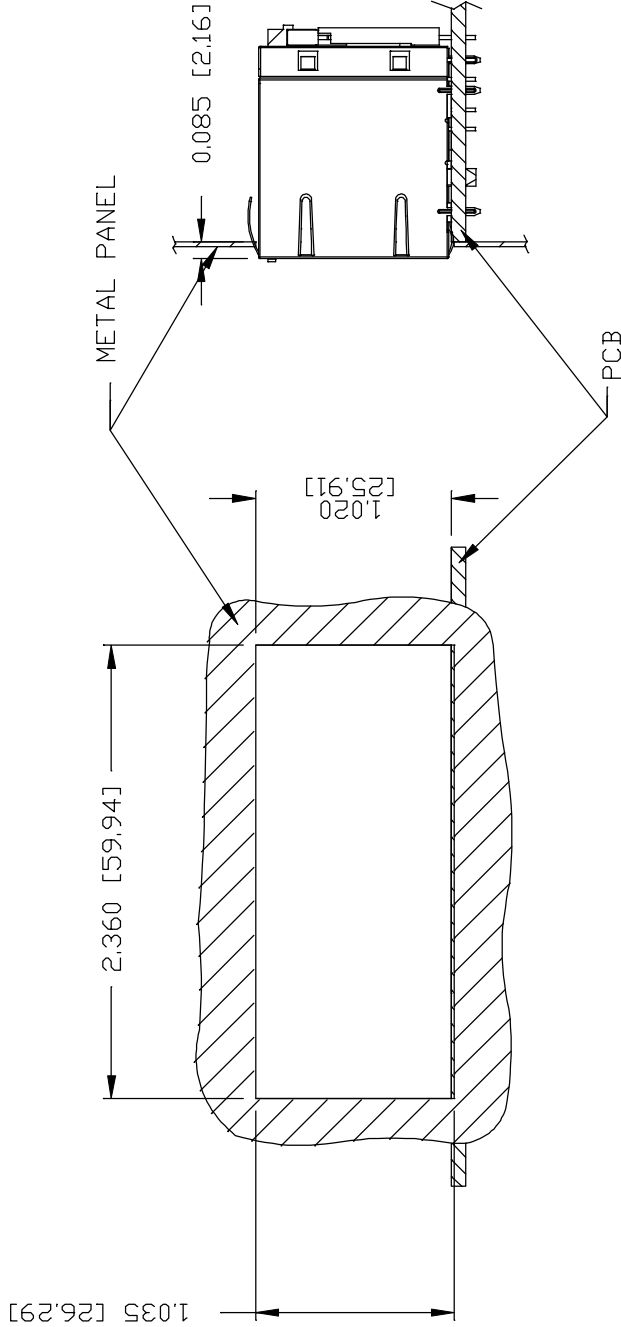
REV. :	D	PAGE :	5
bel 		MAGNETIC SOLUTIONS a bel group	
ORIGINATED BY	SANDY LIN	PART NO. / DRAWING NO.	08102H4RBG-F
DATE	2019-09-23	STANDARD DIM.	[] METRIC DIM. AS REF.
DRAWN BY	RUAN WENJUN	TOL. IN INCH	.X .XX .XXX
DATE	2019-09-23	UNIT : INCH [mm]	SCALE : N/A
TITLE 2X4 MagJack® WITH LED (Ext. Temp of -28) 0810-2H4R-BG-F		SIZE :	A4

This document is electronically generated. This is a controlled copy if used internally

THE INFORMATION CONTAINED HEREIN IS CONSIDERED 'PROPRIETARY' TO BEL FUSE, INC. AND SHALL NOT BE COPIED, REPRODUCED OR DISCLOSED WITHOUT THE WRITTEN APPROVAL OF BEL FUSE, INC.



SUGGESTED PANEL OPENING



NOTES:

THE DISTANCE OF PANEL INSIDE SURFACE RELATIVE TO FRONT SURFACE OF PART IS ONLY A SUGGESTION. IN CASE THIS DISTANCE IS DIFFERENT, THE REQUIRED PANEL OPENING DIMENSIONS CHANGE ACCORDINGLY.

PACKING INFORMATION

PACKING TRAY : 0200-9999-E7 (TOP)
0200-9999-E8 (BOTTOM)

PACKING QUANTITY : 20 PCS FINISHED GOODS PER TRAY
7 TRAYS (140 PCS FINISHED GOODS) PER CARTON BOX

NOTE : CARDBOARDS ARE PLACED BETWEEN LAYERS OF PACKING TRAY INSIDE CARTON BOX (INCLUDE THE UPPERMOST AND LOWERMOST TRAY)

ORIGINATED BY SANDY LIN DATE 2019-09-23 DRAWN BY RUAN WENJUN DATE 2019-09-23		TITLE 2X4 MagJack® WITH LED (Ext, Temp of -28) 0810-2H4R-BG-F		PART NO. / DRAWING NO. 08102H4RBG-F FILE NAME 08102H4RBG-F_D.DWG		STANDARD DIM. TOL. IN INCH .X .XX .XXX		[] METRIC DIM. AS REF. UNIT : INCH [mm] SCALE : N/A SIZE : A4		REV. : D	PAGE : 6
				MAGNETIC SOLUTIONS a bel group							

DC002(2)120214 This document is electronically generated. This is a controlled copy if used internally