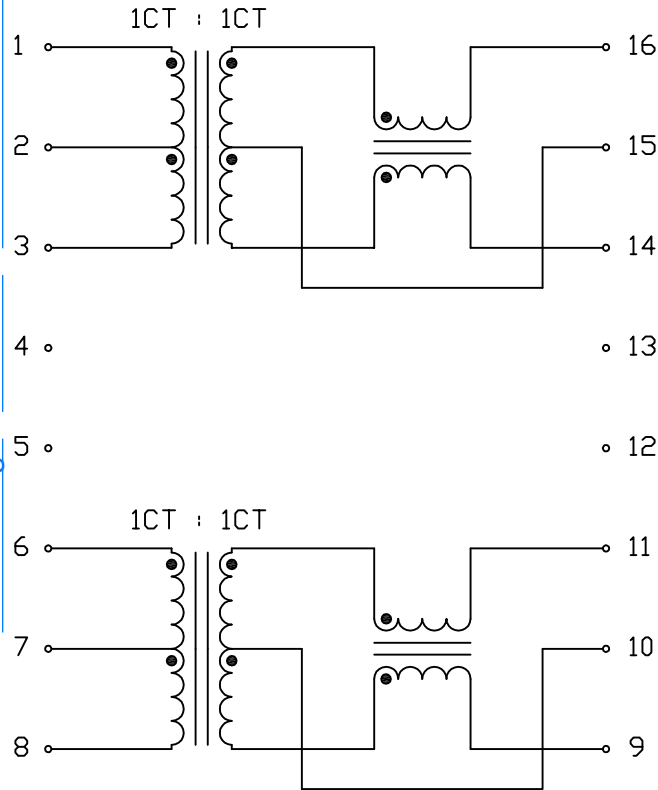


THE INFORMATION CONTAINED HEREIN IS CONSIDERED 'PROPRIETARY' TO BEL FUSE INC. AND SHALL NOT BE COPIED, REPRODUCED OR DISCLOSED WITHOUT THE WRITTEN APPROVAL OF BEL FUSE INC.

ELECTRICAL CHARACTERISTICS @ 25°C



SCHEMATIC



URNS RATIO  
Tx (1&2&3) : (16&15&14)  
Rx (6&7&8) : (11&10&9)

1CT : 1CT  
1CT : 1CT  
16 TO 1 ; 14 TO 3  
11 TO 6 ; 9 TO 8

PHASING

□CL (-40°C - 85°C)  
Tx (16&14)  
Rx (11&9)

@ 100kHz 100mVrms, w/8mA DC BIAS  
350uH MIN.  
350uH MIN.

LEAKAGE INDUCTANCE (Le)  
Tx (16&14) WITH 1&2&3 SAllice PangRTED:  
Rx (11&9) WITH 6&7&8 SAllice PangRTED:

@ 1 MHz, 20mV  
0.35uH MAX.  
0.35uH MAX.

INTERWINDING CAPACITANCE (Cw/w)  
Tx (1&3 TO 16&14) & Rx (6&8 TO 11&9)

@ 1 MHz, 20mV  
30pF MAX.

DCR WINDING RESISTANCE  
(1-3) ; (6-8)  
(16-14) ; (11-9)

1.0 ΩHMS MAX.  
2.0 ΩHMS MAX.

INSERTION LOSS  
@100kHz TO 100MHz

1.0dB MAX.

RETURN LOSS  
(UNDER 100 ΩHMS ±15% ENVIRONMENT)  
@0.1 TO 30 MHz  
@30 TO 60 MHz  
@60 TO 80 MHz

18dB MIN.  
18-20 LOG (F/30MHz)  
10dB MIN.

COMMON TO COMMON MODE ATTENUATION  
@0.1 TO 100 MHz

30dB MIN.

CROSSTALK  
@1MHz TO 100MHz

35dB MIN.

COMMON TO DIFFERENTIAL MODE ATTENUATION  
@0.1 TO 100 MHz

40dB MIN.

HIPOT

LEAKAGE CURRENT LESS THAN 1mA AT 1500VAC

NOTES :

THIS PRODUCT HAS BEEN SUPPLYING TO JAPAN CUSTOMERS. PCN PROCESS NEEDS TO COMPLY WITH 4M CRITERIA.

REV. : A PAGE : 2

ORIGINATED BY	DATE
Alice Pang	2021-01-28
DRAWN BY	DATE
ZC Guo	2021-01-28

TITLE
10/100BT MAGNETICS MODULE
S558-5999-Z5-F

PART NO. / DRAWING NO.
S558-5999-Z5-F
FILE NAME
S5585999Z5FA.DWG

STANDARD DIM.	[ ] METRIC DIM. AS REF.
TOL. IN INCH	
.X	
.XX	
.XXX	

UNIT : INCH [mm]
SCALE : N/A
SIZE : A4

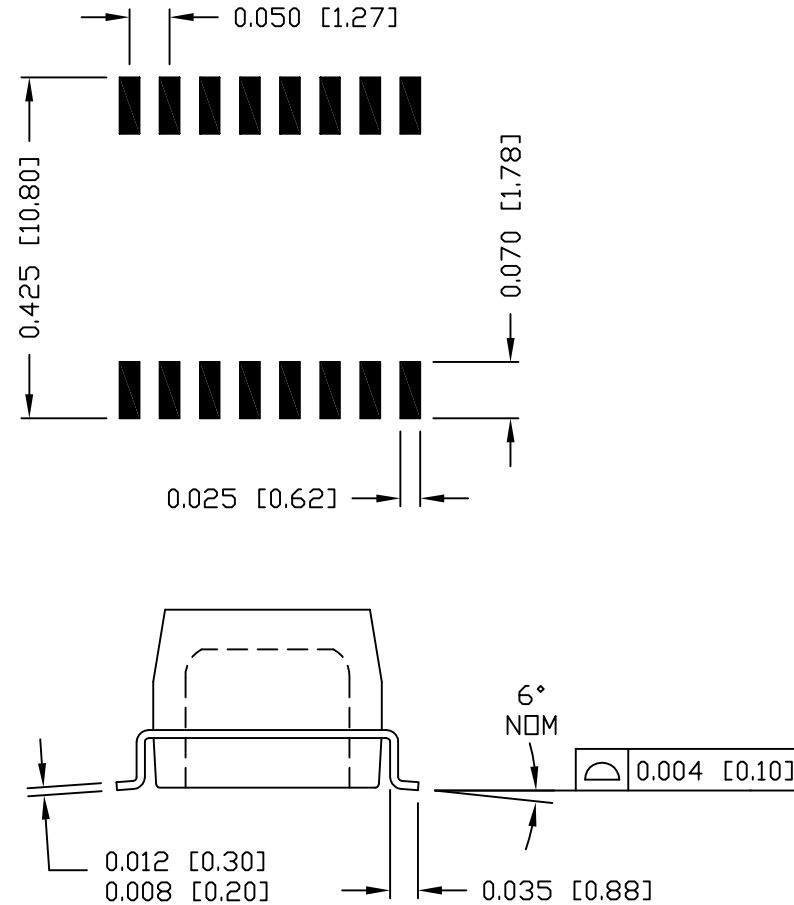
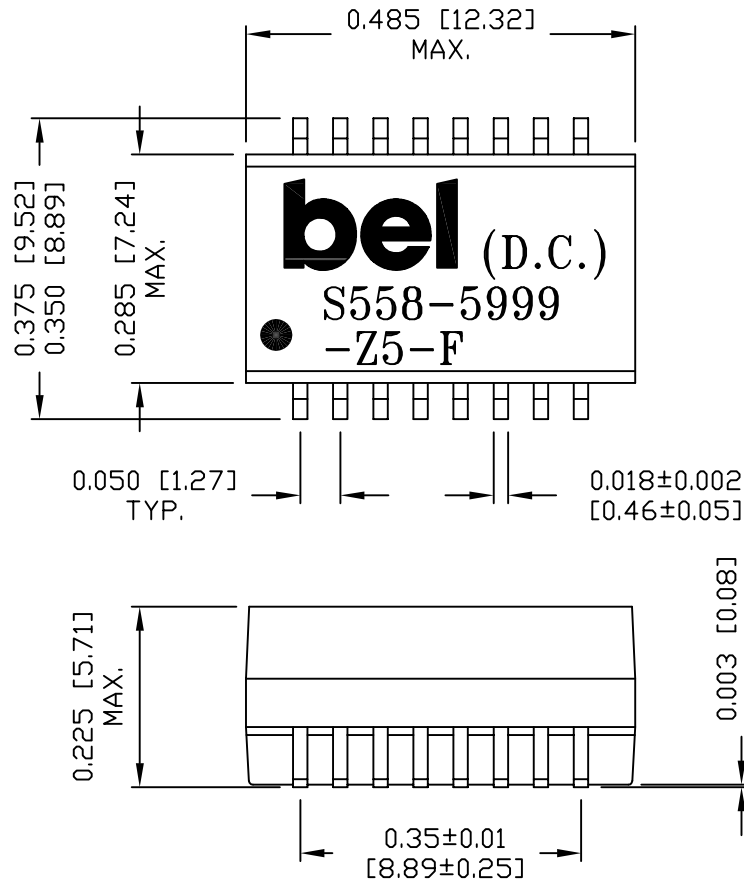


Additional Resources: Product Page 3D Model Technical Documentation

THE INFORMATION CONTAINED HEREIN IS CONSIDERED "PROPRIETARY" TO BEL FUSE INC. AND SHALL NOT BE COPIED, REPRODUCED OR DISCLOSED WITHOUT THE WRITTEN APPROVAL OF BEL FUSE INC.



SUGGESTED PCB PAD LAYOUT



- NOTES:
1. STANDARD MARKING REFER TO DOC. HAND-WORK-04.
  2. PACKAGE CODE: "QBS001".
  3. THIS PRODUCT HAS BEEN SUPPLYING TO JAPAN CUSTOMERS. PCN PROCESS NEEDS TO COMPLY WITH 4M CRITERIA.

REV. : A      PAGE : 3

ORIGINATED BY	DATE
Lawrence Tsang	2021-01-28
DRAWN BY	DATE
ZC Guo	2021-01-28

TITLE
MECHANICAL DRAWING
S558-5999-Z5-F

PART NO. / DRAWING NO.
S558-5999-Z5-F
FILE NAME
S5585999Z5FA.DWG

STANDARD DIM.	[ ] METRIC DIM. AS REF.
TOL. IN INCH	
.X	
.XX	±0.01
.XXX	±0.005

UNIT : INCH [mm]
SCALE : N/A
SIZE : A4

