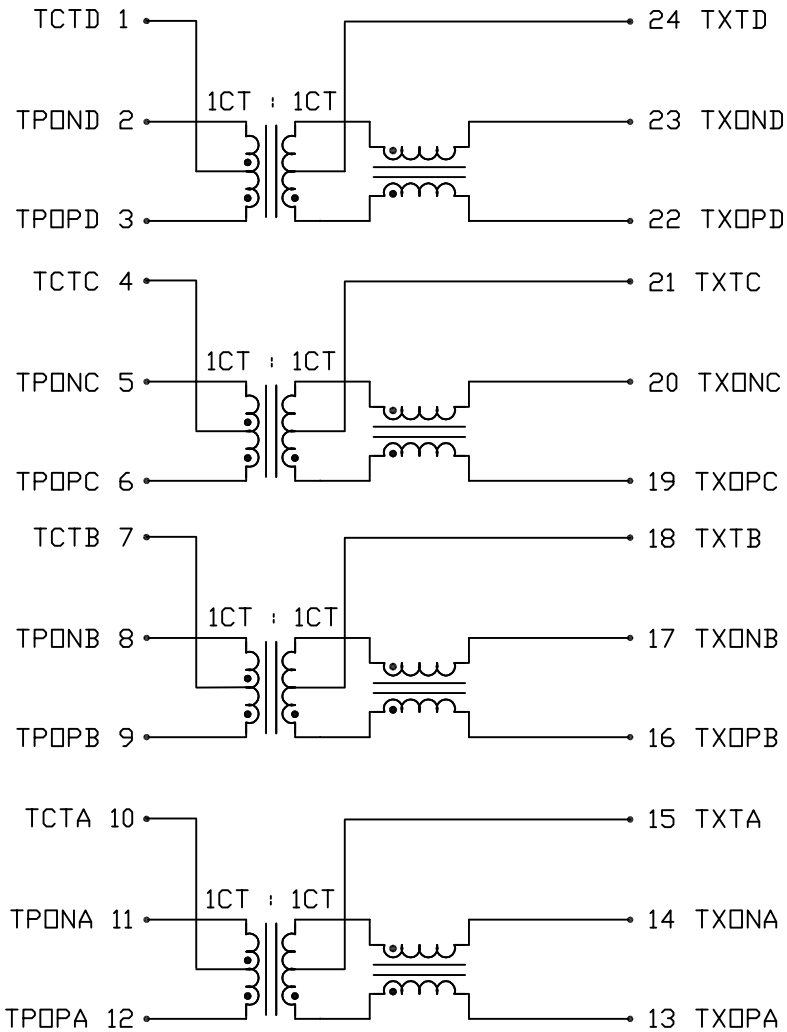


THE INFORMATION CONTAINED HEREIN IS CONSIDERED "PROPRIETARY" TO BEL FUSE INC. AND SHALL NOT BE COPIED, REPRODUCED OR DISCLOSED WITHOUT THE WRITTEN APPROVAL OF BEL FUSE INC.

ELECTRICAL CHARACTERISTICS @25°C



SCHEMATIC



TURNS RATIO
 (3-1-2) : (22-24-23)
 (6-4-5) : (19-21-20)
 (9-7-8) : (16-18-17)
 (12-10-11) : (13-15-14)

1CT : 1CT
 1CT : 1CT
 1CT : 1CT
 1CT : 1CT

DCL 350μH MIN AT 100kHz, 100mV
 WITH 8mA DC BIAS @25°C

INSERTION LOSS
 1.1dB MAX @0.1 TO 1MHz
 0.5dB MAX @1 TO 65MHz
 1.0dB MAX @80MHz
 1.2dB MAX @125MHz

RETURN LOSS
 UNDER 100 OHM
 ±15% ENVIRONMENT
 18dB MIN @0.5 TO 40 MHz
 12-20LOG(F/80MHz) dB MIN
 @40 TO 100 MHz

COMMON TO COMMON REJECTION 30dB MIN @0.1 TO 100 MHz

CROSSTALK
 @1 TO 100 MHz
 33-20LOG(F/100 MHz) dB MIN

HIPOT LEAKAGE CURRENT LESS THAN 1mA AT 1500VAC

OPERATION TEMPERATURE: -40°C TO 85°C

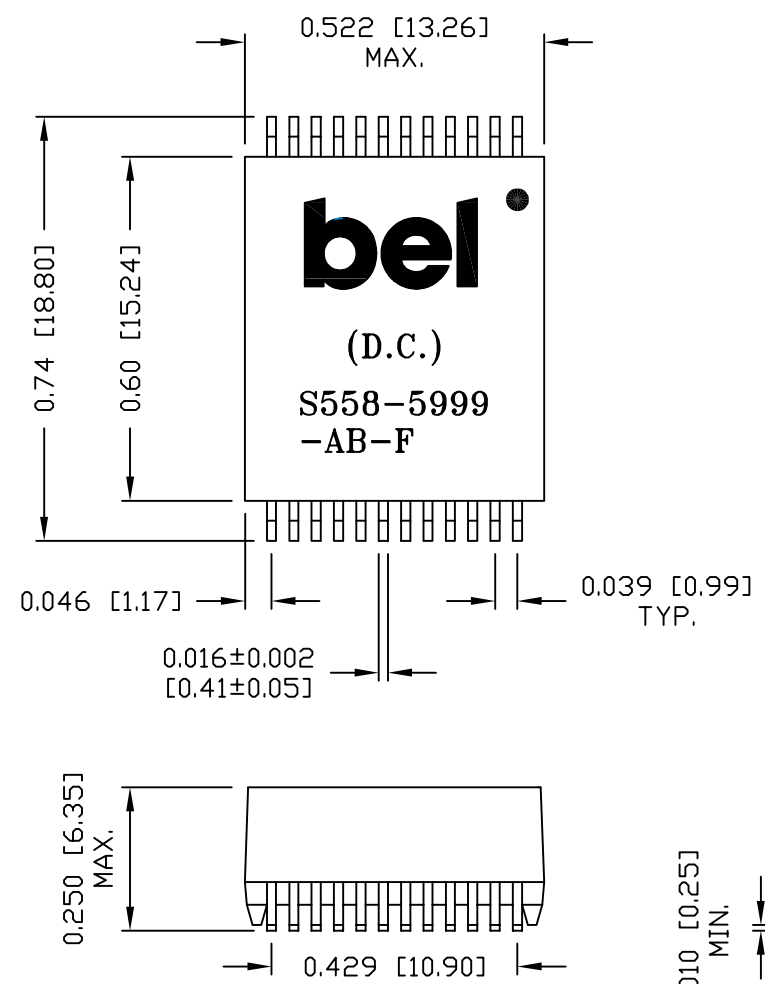
Additional Resources: Product Page 3D Model Technical Documentation

REV. : A	PAGE : 2

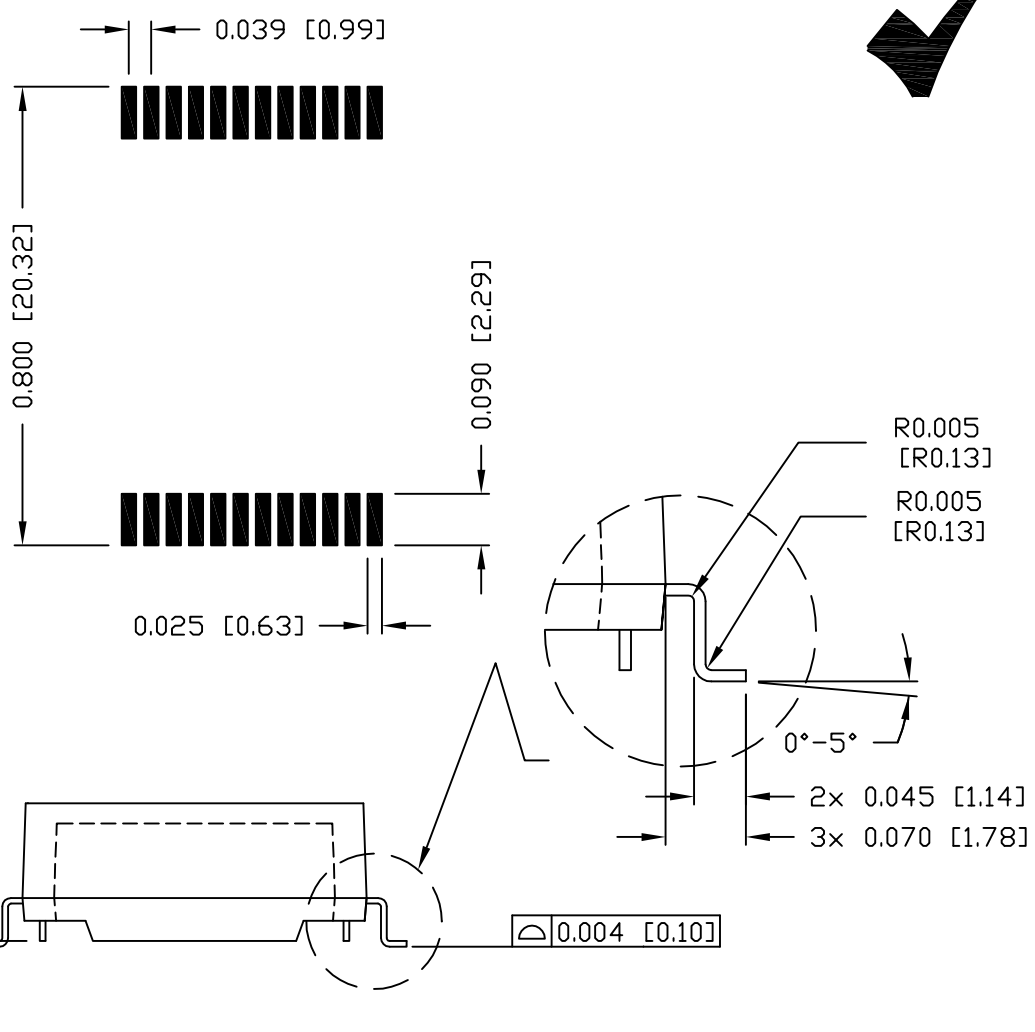
ORIGINATED BY	DATE	TITLE GIGABIT ETHERNET MAGNETICS S558-5999-AB-F	PART NO. / DRAWING NO.	STANDARD DIM.	[] METRIC DIM. AS REF.
Alice Pang	2021-01-27		S558-5999-AB-F	TOL. IN INCH	UNIT : INCH [mm]
DRAWN BY	DATE		FILE NAME	.X	SCALE : N/A
ZC Guo	2021-01-27	S5585999ABFA.DWG	.XX	.XXX	SIZE : A4

Additional Resources: [Product Page](#) [3D Model](#) [Technical Documentation](#)

THE INFORMATION CONTAINED HEREIN IS CONSIDERED "PROPRIETARY" TO BEL FUSE INC. AND SHALL NOT BE COPIED, REPRODUCED OR DISCLOSED WITHOUT THE WRITTEN APPROVAL OF BEL FUSE INC.



SUGGESTED PCB PAD LAYOUT



- NOTES:
1. STANDARD MARKING REFER TO DOC. HAND-WORK-04.
 2. PACKAGE CODE: "QTS001".

ORIGINATED BY Lawrence Tsang		DATE 2021-01-27	TITLE MECHANICAL DRAWING S558-5999-AB-F	PART NO. / DRAWING NO. S558-5999-AB-F		STANDARD DIM. TOL. IN INCH		[] METRIC DIM. AS REF.		REV. : A	PAGE : 3	
DRAWN BY ZC Guo		DATE 2021-01-27		FILE NAME S5585999ABFA.DWG	.X		UNIT : INCH [mm]		SCALE : N/A			
					.XX ±0.01		SIZE : A4					
				.XXX ±0.005								