

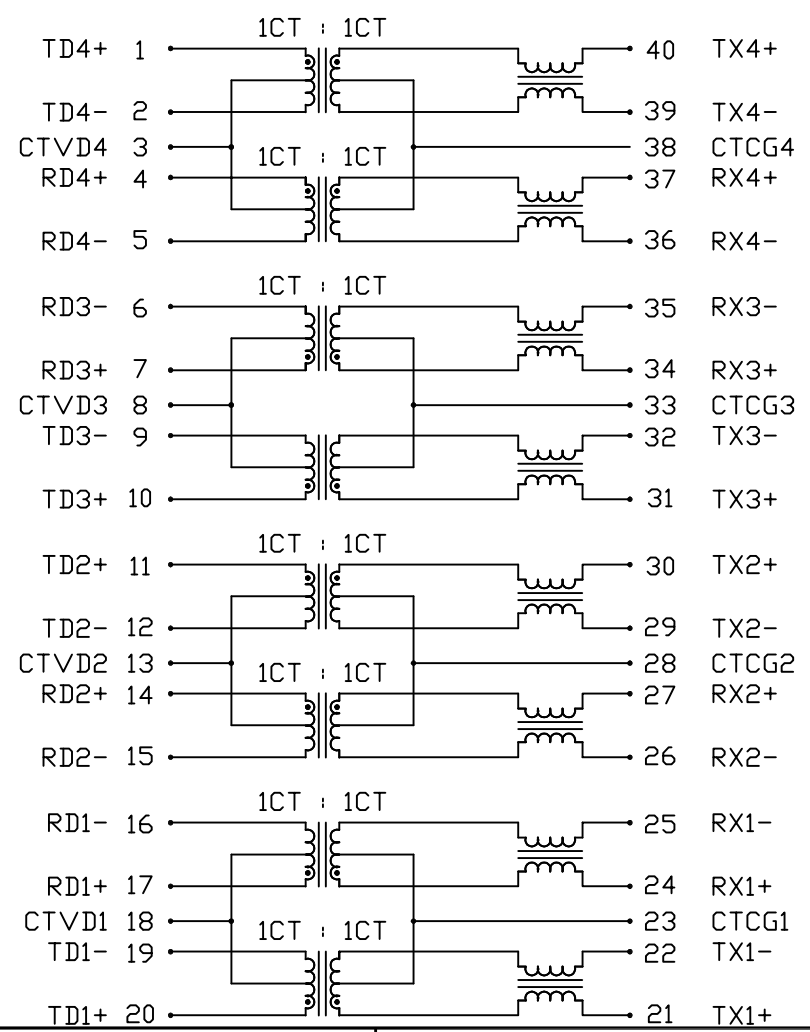
THE INFORMATION CONTAINED HEREIN IS CONSIDERED "PROPRIETARY" TO BEL FUSE INC. AND SHALL NOT BE COPIED, REPRODUCED OR DISCLOSED WITHOUT THE WRITTEN APPROVAL OF BEL FUSE INC.

ELECTRICAL CHARACTERISTICS @25°C



<p>URNS RATIO</p> <p>Tx = Rx</p> <p>1CT : 1CT</p>	
<p>POLARITY</p> <p>DCL</p> <p>OPERATING TEMPERATURE</p> <p>INSERTION LOSS</p> <p>RETURN LOSS</p> <p>MEASURED UNDER 100Ω ENVIRONMENT</p> <p>COMMON TO DIFFERENTIAL MODE REJECTION</p> <p>COMMON TO COMMON MODE REJECTION</p> <p>CROSSTALK</p> <p>HIPOT</p>	<p>PER DOT CONVENTION</p> <p>350μH MIN @100kHz, 100mV WITH 8mA DC BIAS</p> <p>-40°C TO +85°C</p> <p>1.0dB MAX @1MHz TO 80MHz</p> <p>18dB MIN @100kHz TO 30MHz 18-20LOG(f/30MHz) dB MIN @30MHz TO 60MHz 12dB MIN @60MHz TO 80MHz</p> <p>40dB MIN @100kHz TO 100MHz</p> <p>35dB MIN @100kHz TO 100MHz 20dB MIN @100MHz TO 500MHz</p> <p>32dB MIN @100kHz TO 100MHz</p> <p>LEAKAGE CURRENT LESS THAN 1mA AT 1500VAC</p>

SCHEMATIC



NOTES :
THIS PRODUCT HAS BEEN SUPPLYING TO JAPAN CUSTOMERS. PCN PROCESS NEEDS TO COMPLY WITH 4M CRITERIA.

ORIGINATED BY	DATE
Alice Pang	2021-01-26
DRAWN BY	DATE
ZC Guo	2021-01-26

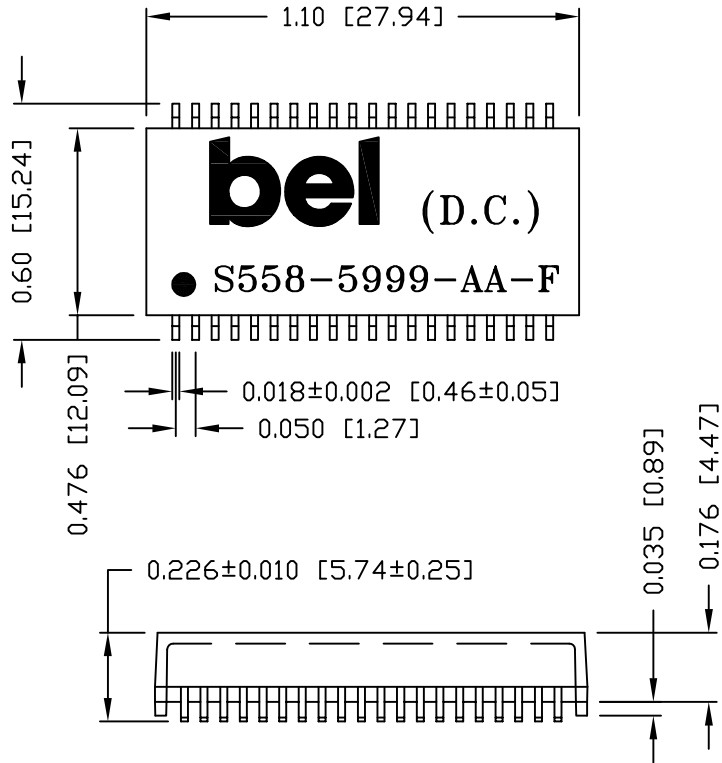
TITLE
ELECTRICAL SPECIFICATION
S558-5999-AA-F

PART NO. / DRAWING NO.
S558-5999-AA-F
FILE NAME
S5585999AAFA.DWG

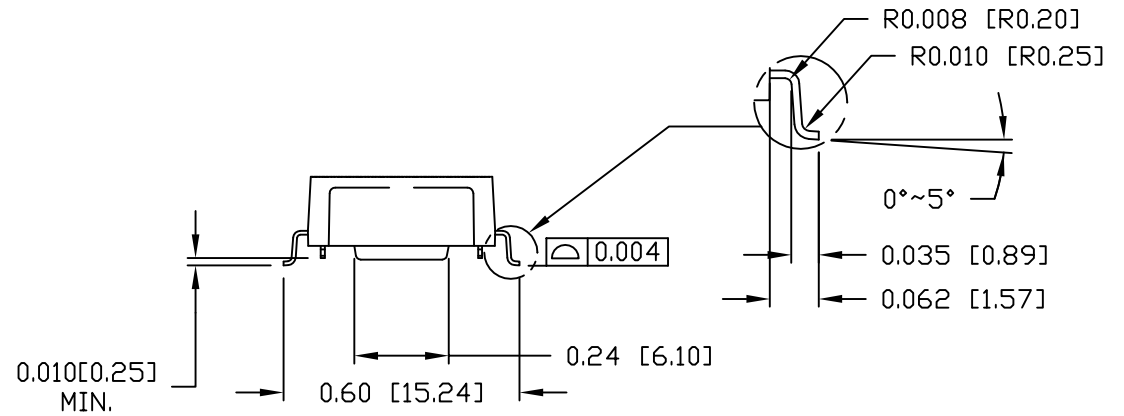
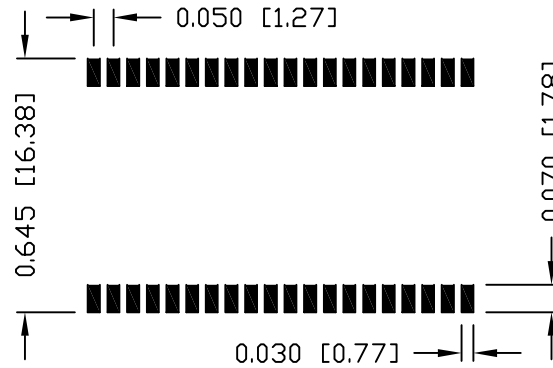
STANDARD DIM.	[] METRIC DIM. AS REF.
TOL. IN INCH	UNIT : INCH [mm]
.X	SCALE : N/A
.XX	SIZE : A4
.XXX	

REV. : A	PAGE : 2

THE INFORMATION CONTAINED HEREIN IS CONSIDERED "PROPRIETARY" TO BEL FUSE INC. AND SHALL NOT BE COPIED, REPRODUCED OR DISCLOSED WITHOUT THE WRITTEN APPROVAL OF BEL FUSE INC.



SUGGESTED PCB PAD LAYOUT



NOTES :

- STANDARD MARKING REFER TO DOC. HAND-WORK-04.
- PACKAGE CODE: "RRS001".
- THIS PRODUCT HAS BEEN SUPPLYING TO JAPAN CUSTOMERS. PCN PROCESS NEEDS TO COMPLY WITH 4M CRITERIA.

ORIGINATED BY		DATE	TITLE	PART NO. / DRAWING NO.		STANDARD DIM.		[] METRIC DIM. AS REF.		 POWER PROTECT CONNECT
Lawrence Tsang		2021-01-26		MECHANICAL DRAWING	S558-5999-AA-F		TOL. IN INCH		UNIT : INCH [mm]	
DRAWN BY		DATE	S558-5999-AA-F		FILE NAME		.X		SCALE : N/A	
ZC Guo		2021-01-26		S5585999AAFA.DWG			.XX ±0.01		SIZE : A4	
							.XXX ±0.005			