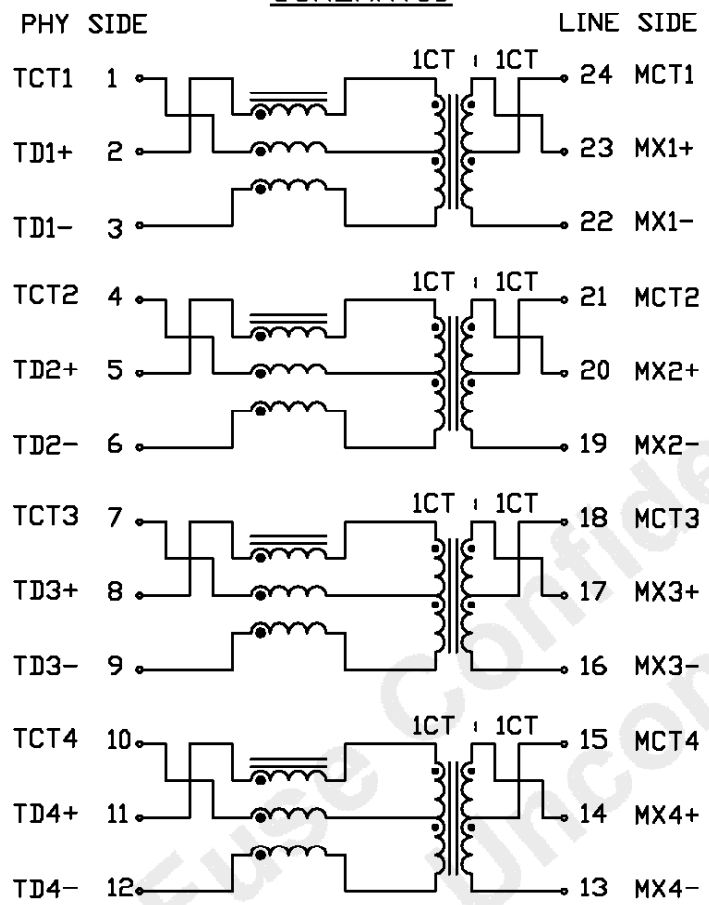


THE INFORMATION CONTAINED HEREIN IS CONSIDERED 'PROPRIETARY' TO BEL FUSE INC. AND SHALL NOT BE COPIED, REPRODUCED OR DISCLOSED WITHOUT THE WRITTEN APPROVAL OF BEL FUSE INC.



**ELECTRICAL CHARACTERISTICS @25°C**

**SCHEMATIC**



**TURNS RATIO**

(2-1-3) : (23-24-22)	1CT : 1CT ±2%
(5-4-6) : (20-21-19)	1CT : 1CT ±2%
(8-7-9) : (17-18-16)	1CT : 1CT ±2%
(11-10-12) : (14-15-13)	1CT : 1CT ±2%

**POLARITY**

PER DOT CONVENTION

**DCL**

100kHz, 100mV  
 180uH MIN WITH 8mA DC BIAS  
 120uH MIN WITH 19mA DC BIAS

**RETURN LOSS**

1MHz-100MHz	-20 dB MIN
100MHz-300MHz	-20+16LOG(f/100MHZ) dB MIN

**HIPOT (Isolation Voltage)**

LEAKAGE CURRENT LESS THAN 1mA AT 2250VDC  
 100% OF PRODUCTION TESTED TO COMPLY WITH  
 IEEE 802.3 ISOLATION REQUIREMENTS.

NOTE: PORT-TO-PORT ISOLATION NOT INCLUDED .

**BALANCED DC LINE CURRENT**

720 mA MAX. @ 57 VDC CONTINUOUS  
 1.2A MAX. @ 57 VDC FOR 200 MILLISECONDS

OPERATING TEMPERATURE: -40°C TO +85°C.

ORIGINATED BY	DATE
Alice Pang	2020-06-29
DRAWN BY	DATE
ZC Guo	2020-06-29

TITLE  
**ELECTRICAL SPECIFICATION**

PART NO. / DRAWING NO.
S558-5500-JV
FILE NAME
S5585500JVB.DWG

STANDARD DIM. [ ] METRIC DIM. AS REF.
TOL. IN INCH
.X
.XX
.XXX
UNIT : INCH [mm]
SCALE : N/A
SIZE : A4

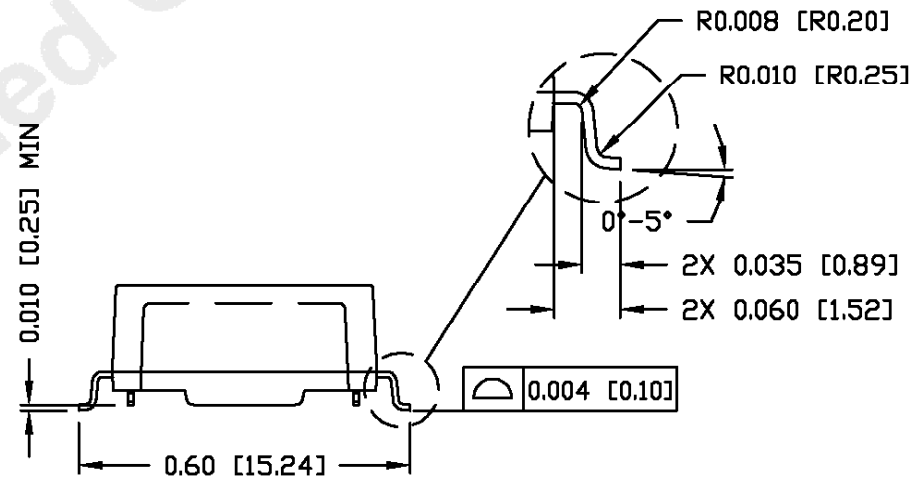
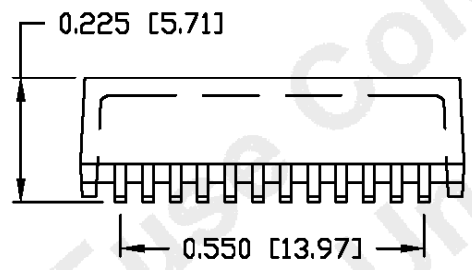
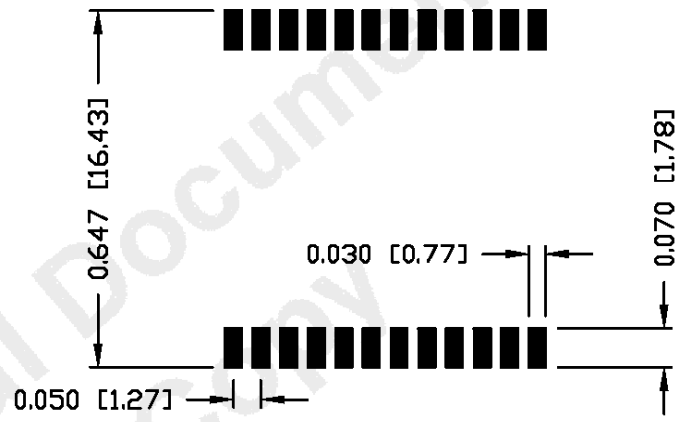
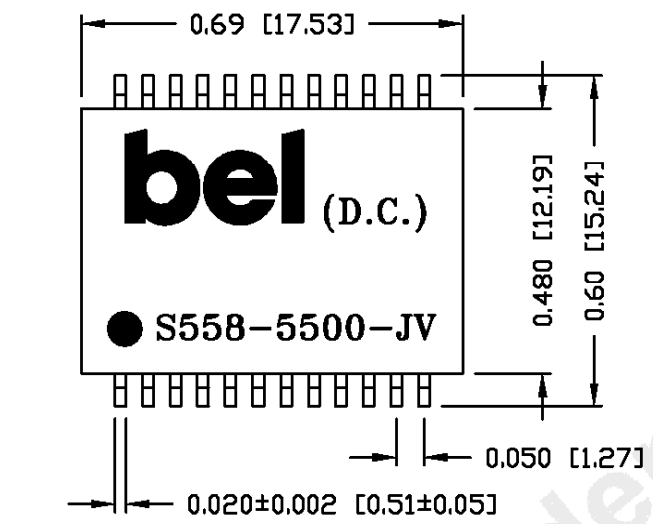
REV. : B PAGE : 2



THE INFORMATION CONTAINED HEREIN IS CONSIDERED 'PROPRIETARY' TO BEL FUSE INC. AND SHALL NOT BE COPIED, REPRODUCED OR DISCLOSED WITHOUT THE WRITTEN APPROVAL OF BEL FUSE INC.



SUGGESTED PCB PAD LAYOUT



NOTES:

- STANDARD MARKING REFER TO DDC. HAND-WORK-04.
- PACKAGE CODE: "RQS001".

ORIGINATED BY	DATE	TITLE	PART NO. / DRAWING NO.	STANDARD DIM. [ ] METRIC DIM. AS REF.	REV. : A	PAGE : 3	
Lawrence Tsang	2018-07-24	MECHANICAL OUTLINE	S558-5500-JV	TOL. IN INCH	 POWER   PROTECT   CONNECT		
DRAWN BY	DATE		FILE NAME	.X			UNIT : INCH [mm]
ZC Guo	2018-07-24		S5585500JVA.DWG	.XX ±0.01			SCALE : N/A
				.XXX ±0.005	SIZE : A4		