

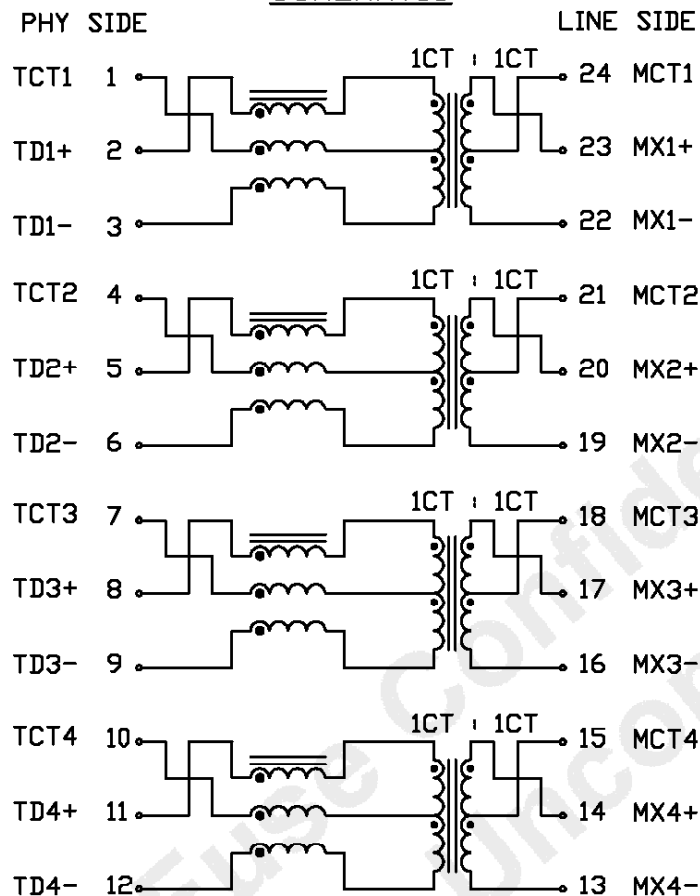
THE INFORMATION CONTAINED HEREIN IS CONSIDERED "PROPRIETARY" TO BEL FUSE INC. AND SHALL NOT BE COPIED, REPRODUCED OR DISCLOSED WITHOUT THE WRITTEN APPROVAL OF BEL FUSE INC.

RoHS



ELECTRICAL CHARACTERISTICS @25°C

SCHEMATIC



TURNS RATIO
 (2-1-3) : (23-24-22)
 (5-4-6) : (20-21-19)
 (8-7-9) : (17-18-16)
 (11-10-12) : (14-15-13)

1CT : 1CT ±2%
 1CT : 1CT ±2%
 1CT : 1CT ±2%
 1CT : 1CT ±2%

POLARITY

PER DOT CONVENTION

DCL
 0°C TO 70°C
 0°C TO 70°C

100kHz, 100mV
 180uH MIN WITH 8mA DC BIAS
 120uH MIN WITH 19mA DC BIAS

INTERWINDING CAPACITANCE, C_{ww}

@1MHz, 20mV
 30pF MAX

PARAMETER	MAGNITUDE (IN dB)	FREQUENCY (IN MHZ)		
		START	END	
INSERTION LOSS	SDD12, SDD21	-0.004<fMHz>-0.4 MAX	1	150
RETURN LOSS	SDD11, SDD22	-20 MIN	1	40
		-20+15LOG<f/40MHz> MIN	40	150
ALIEN NEAR END CROSSTALK	SDDXY'	-46+7LOG<f/125MHz> MIN	1	150
NEAR END CROSSTALK	SDDXY	-35 MIN	1	40
		-35+15LOG<f/40MHz> MIN	40	150
MODE CONVERSION	SDC12	-35 MIN	1	40
		-35+17LOG<f/40MHz> MIN	40	150
	SDC21	-30 MIN	1	40
		-30+11LOG<f/40MHz> MIN	40	150
COMMON MODE REJECTION	SCC21	-25 MIN	1	150

BALANCED DC LINE CURRENT

720mA MAX @57VDC CONTINUOUS
 1.2A MAX @57VDC FOR 200ms

HIPOT

LEAKAGE CURRENT LESS THAN 1mA AT 1500VAC

REV. : C PAGE : 2

ORIGINATED BY DATE
 Alice Pang 2020-06-29
 DRAWN BY DATE
 ZC Guo 2020-06-29

TITLE
 ELECTRICAL SPECIFICATION

PART NO. / DRAWING NO.
 S558-5500-JD
 FILE NAME
 S5585500JDC.DWG

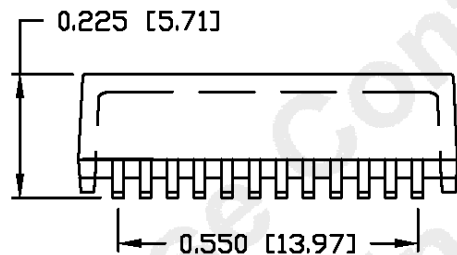
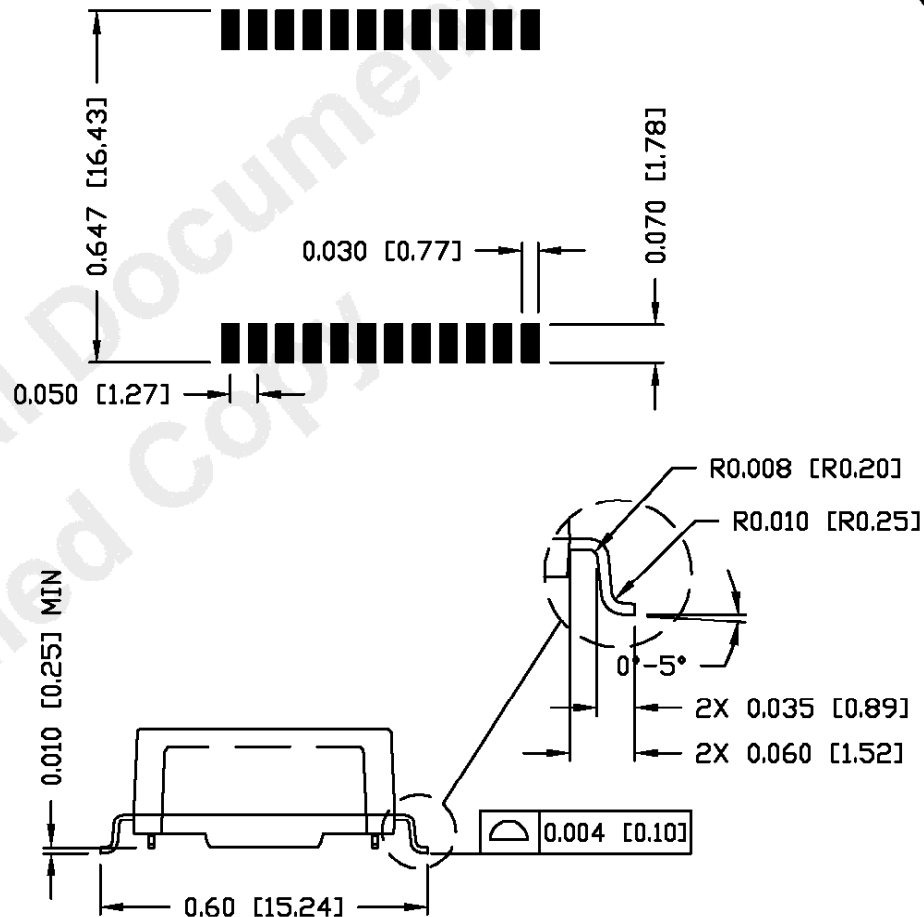
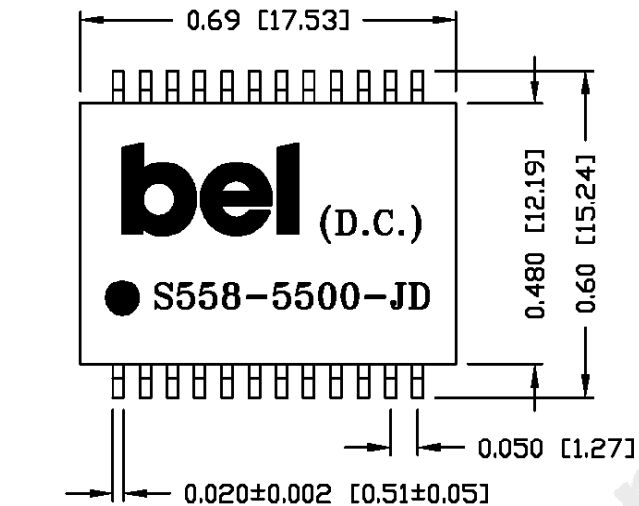
STANDARD DIM. [] METRIC DIM. AS REF.
 TOL. IN INCH
 .X
 .XX
 .XXX
 UNIT : INCH [mm]
 SCALE : N/A
 SIZE : A4



THE INFORMATION CONTAINED HEREIN IS CONSIDERED "PROPRIETARY" TO BEL FUSE INC. AND SHALL NOT BE COPIED, REPRODUCED OR DISCLOSED WITHOUT THE WRITTEN APPROVAL OF BEL FUSE INC.



SUGGESTED PCB PAD LAYOUT



NOTES:

- STANDARD MARKING REFER TO DOC. HAND-WORK-04.
- PACKAGE CODE: 'RQS001'.

ORIGINATED BY	DATE
Lawrence Tsang	2017-09-11
DRAWN BY	DATE
ZC Guo	2017-09-11

TITLE	MECHANICAL OUTLINE
-------	--------------------

PART NO. / DRAWING NO.	S558-5500-JD
FILE NAME	S5585500JDA.DWG

STANDARD DIM.	[] METRIC DIM. AS REF.
TOL. IN INCH	UNIT : INCH [mm]
.X	SCALE : N/A
.XX ±0.01	SIZE : A4
.XXX ±0.005	

REV. : A PAGE : 3