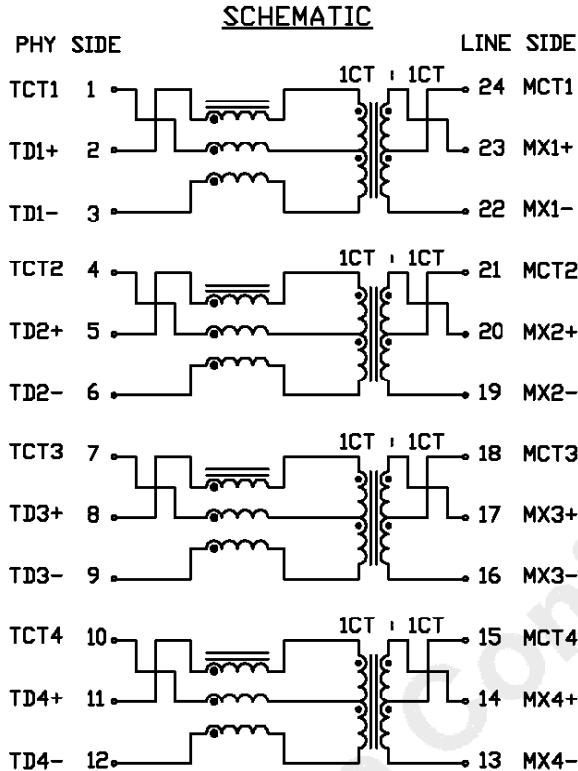


THE INFORMATION CONTAINED HEREIN IS CONSIDERED "PROPRIETARY" TO BEL FUSE INC. AND SHALL NOT BE COPIED, REPRODUCED OR DISCLOSED WITHOUT THE WRITTEN APPROVAL OF BEL FUSE INC.

RoHS



**ELECTRICAL CHARACTERISTICS @25°C**



**TURNS RATIO**

(2-1-3) : (23-24-22)	1CT : 1CT ±2%
(5-4-6) : (20-21-19)	1CT : 1CT ±2%
(8-7-9) : (17-18-16)	1CT : 1CT ±2%
(11-10-12) : (14-15-13)	1CT : 1CT ±2%

**POLARITY**

PER DOT CONVENTION

**□CL**

-40°C TO +85°C	100kHz, 100mV
-40°C TO +85°C	350uH MIN WITH 11mA DC BIAS
	120uH MIN WITH 19mA DC BIAS

**INTERWINDING CAPACITANCE, C<sub>ww</sub>**

@1MHz, 20mV  
30pF MAX

**INSERTION LOSS**

0.3MHz - 1MHz	1.1dB MAX
1MHz - 65MHz	0.8dB MAX
65MHz - 100MHz	1.0dB MAX
100MHz - 125MHz	1.2dB MAX

**RETURN LOSS @100ΩHM**

0.5MHz - 40MHz	18dB MIN
40MHz - 100MHz	12-20LOG(f/80MHz)dB MIN

**CROSSTALK**

0.3MHz - 100MHz  
33-20LOG(f/100MHz)dB MIN

**CM TO CM REJ**

0.3MHz - 100MHz  
30dB MIN

**CM TO DM REJ**

0.3MHz - 100MHz  
35dB MIN

**BALANCED DC LINE CURRENT**

720mA MAX @57VDC CONTINUOUS  
1.2A MAX @57VDC FOR 200ms

**HIPDT**

LEAKAGE CURRENT LESS THAN 1mA AT 1500VAC

**DC RESISTANCE**

(2-3), (5-6), (8-9), (11-12)	1.00 ΩHM MAX
(1-3), (4-6), (7-9), (10-12)	0.75 ΩHM MAX
(23-22), (20-19), (17-16), (14-13)	0.50 ΩHM MAX
(24-22), (21-19), (18-16), (15-13)	0.30 ΩHM MAX

REV. : D      PAGE : 2

<b>ORIGINATED BY</b>	<b>DATE</b>	<b>TITLE</b>  ELECTRICAL SPECIFICATION	<b>PART NO. / DRAWING NO.</b>  S558-5500-68	<b>STANDARD DIM.</b> [ ] METRIC DIM. AS REF.	
Alice Pang	2020-06-29			<b>TOL IN INCH</b>	
<b>DRAWN BY</b>	<b>DATE</b>			.X	UNIT : INCH [mm]
ZC Guo	2020-06-29		FILE NAME	.XX	SCALE : N/A
			S558550068D.DWG	.XXX	SIZE : A4

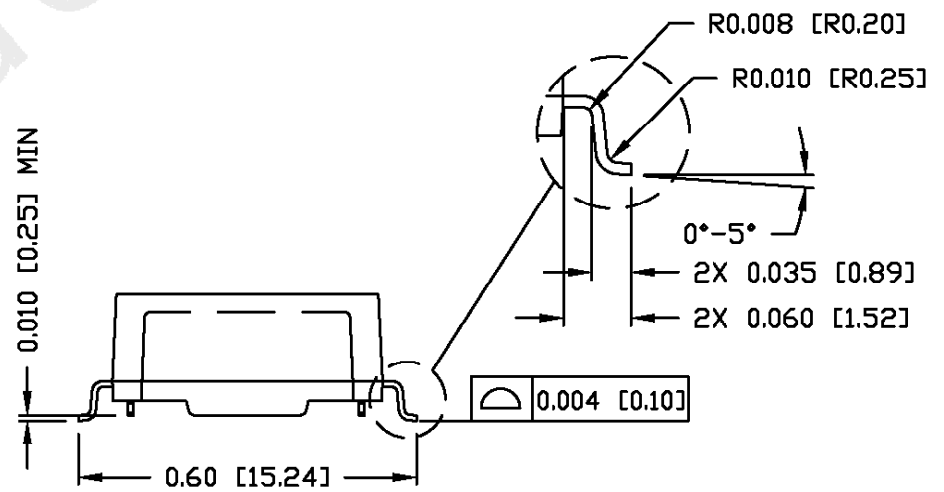
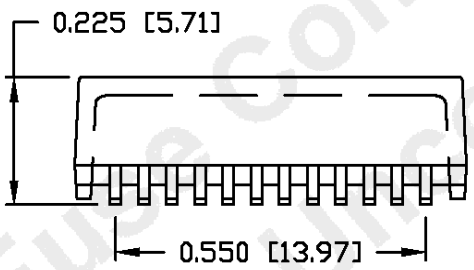
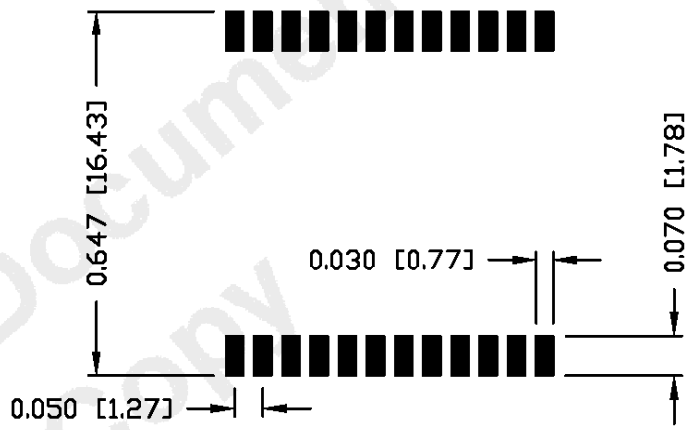
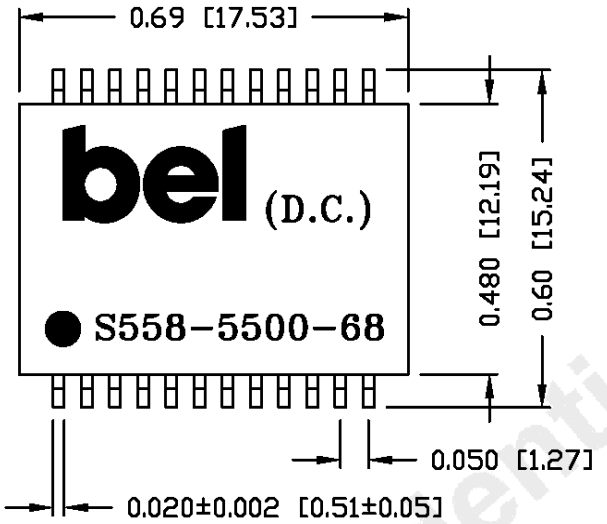


RoHS



THE INFORMATION CONTAINED HEREIN IS CONSIDERED "PROPRIETARY" TO BEL FUSE INC. AND SHALL NOT BE COPIED, REPRODUCED OR DISCLOSED WITHOUT THE WRITTEN APPROVAL OF BEL FUSE INC.

SUGGESTED PCB PAD LAYOUT



NOTES:

- STANDARD MARKING REFER TO DDC. HAND-WORK-04.
- PACKAGE CODE: 'RQS001'.

REV. : C PAGE : 3

ORIGINATED BY	DATE
Lawrence Tsang	2015-01-28
DRAWN BY	DATE
ZC Guo	2015-01-28

TITLE
MECHANICAL OUTLINE

PART NO. / DRAWING NO.
S558-5500-68
FILE NAME
S558550068C.DWG

STANDARD DIM.	[ ] METRIC DIM. AS REF.
TOL. IN INCH	UNIT : INCH [mm]
.X	SCALE : N/A
.XX ±0.01	SIZE : A4
.XXX ±0.005	

