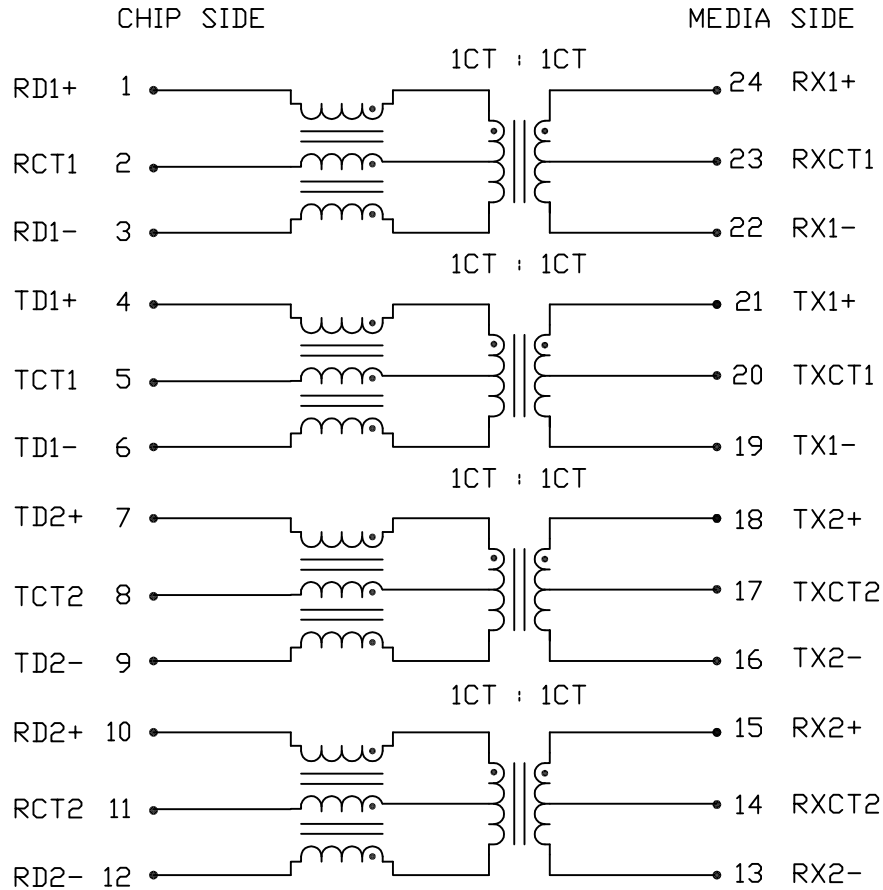


THE INFORMATION CONTAINED HEREIN IS CONSIDERED
 "PROPRIETARY" TO BEL FUSE INC. AND SHALL NOT BE
 COPIED, REPRODUCED OR DISCLOSED WITHOUT THE
 WRITTEN APPROVAL OF BEL FUSE INC.

ELECTRICAL CHARACTERISTICS (@25°C)



SCHEMATIC



TURNS RATIO
 CHIP SIDE : MEDIA SIDE 1CT : 1CT

 POLARITY
 □CL
 MEDIA SIDE 350µH MIN
 @100kHz, 100mVrms
 WITH 8mA DC BIAS

 INSERTION LOSS
 300kHz 1.2dB MAX
 1MHz TO 100MHz 1.0dB MAX
 125MHz 3.0dB MAX

 RETURN LOSS
 1MHz TO 30MHz 18dB MIN
 30MHz TO 80MHz 12-20LOG(F/80MHz) dB MIN
 100MHz 10dB MIN

 CROSSTALK
 1MHz 55dB MIN
 10MHz TO 100MHz 55-24LOG(F/10MHz) dB MIN

 DM TO CM REJECTION
 2MHz 60dB MIN
 30MHz TO 200MHz 40-22LOG(F/30MHz) dB MIN

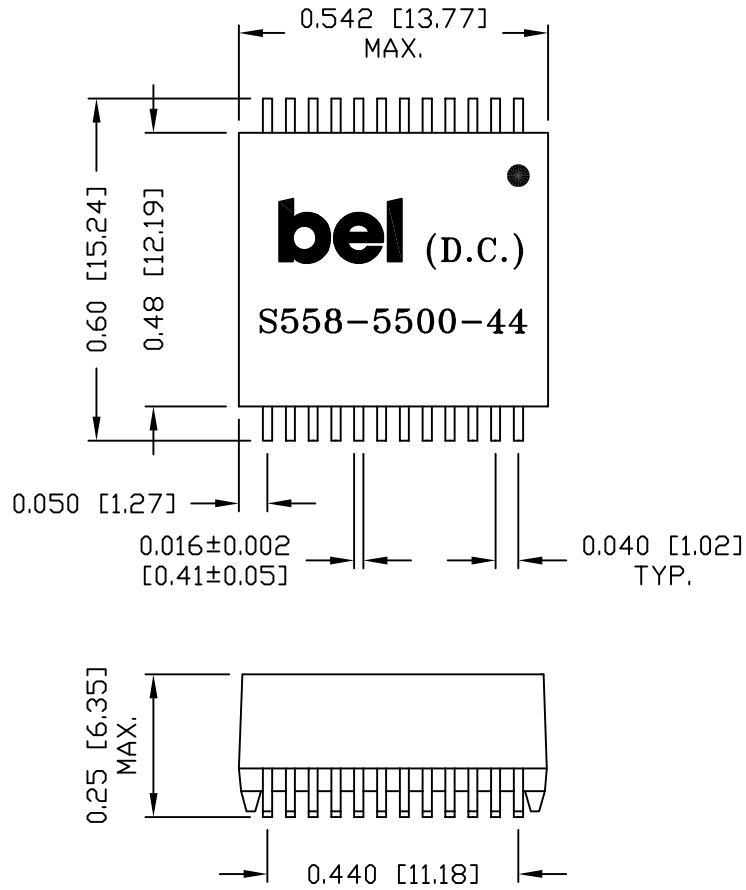
 HIPOT : LEAKAGE CURRENT LESS THAN 1mA AT 1500Vrms .

 DESIGNED FOR 10/100/1000BT PoE APPLICATIONS, REQUIRING OPERATION
 FROM -40 TO 85C, WITH 350mA CURRENT CARRYING CAPACITY.

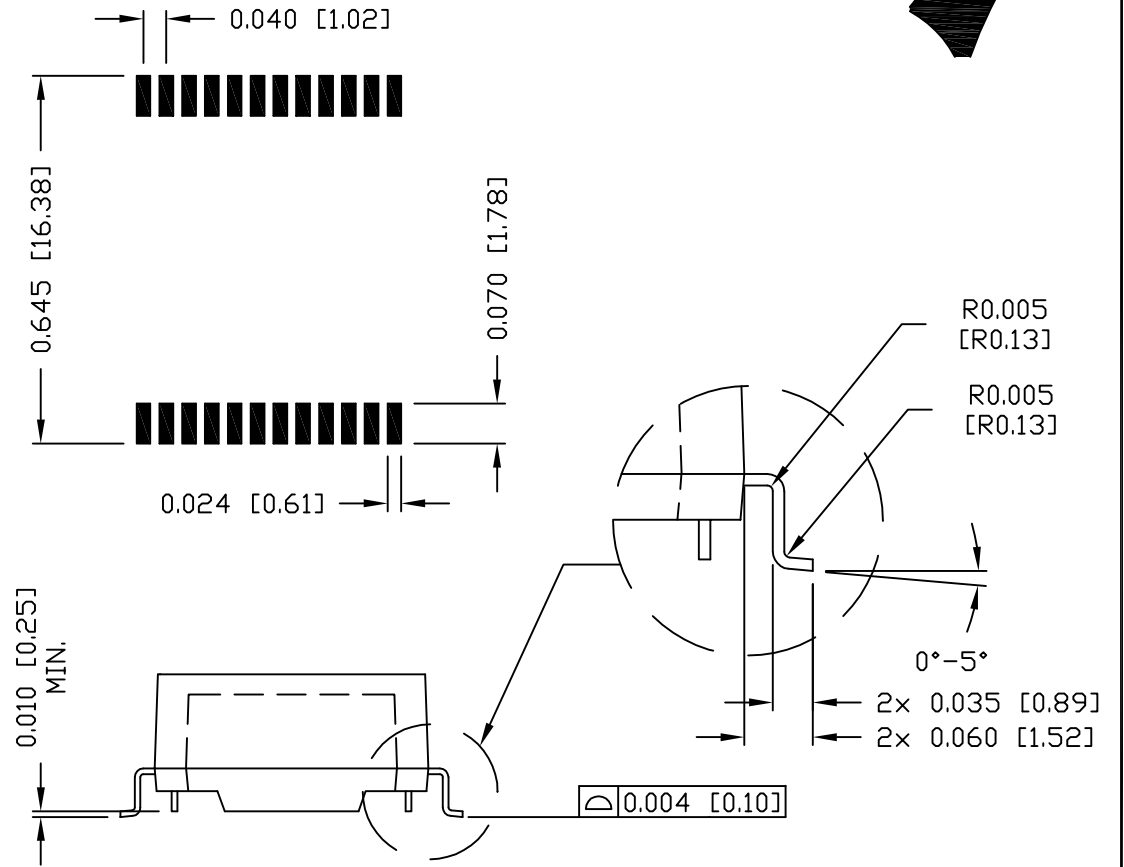
Additional Resources: Product Page 3D Model Technical Documentation

ORIGINATED BY		DATE	TITLE	PART NO. / DRAWING NO.	STANDARD DIM.		[] METRIC DIM. AS REF.	REV. : A	PAGE : 2		
Alice Pang		2021-01-26			ELECTRICAL SPECIFICATION S558-5500-44	S558-5500-44	TOL. IN INCH		UNIT : INCH [mm]		
DRAWN BY		DATE	FILE NAME	.X			SCALE : N/A				
ZC Guo		2021-01-26	S558550044A.DWG	.XX			SIZE : A4				
					.XXX						

THE INFORMATION CONTAINED HEREIN IS CONSIDERED "PROPRIETARY" TO BEL FUSE INC. AND SHALL NOT BE COPIED, REPRODUCED OR DISCLOSED WITHOUT THE WRITTEN APPROVAL OF BEL FUSE INC.



SUGGESTED PCB PAD LAYOUT



NOTES:

- STANDARD MARKING REFER TO DDC. HAND-WORK-04.
- PACKAGE CODE: "QSS001".

ORIGINATED BY	DATE
Lawrence Tsang	2021-01-26
DRAWN BY	DATE
ZC Guo	2021-01-26

TITLE
MECHANICAL OUTLINE S558-5500-44

PART NO. / DRAWING NO.
S558-5500-44
FILE NAME
S558550044A.DWG

STANDARD DIM.	[] METRIC DIM. AS REF.
TOL. IN INCH	UNIT : INCH [mm]
.X	SCALE : N/A
.XX ±0.01	SIZE : A4
.XXX ±0.005	

REV. : A	PAGE : 3
----------	----------

