

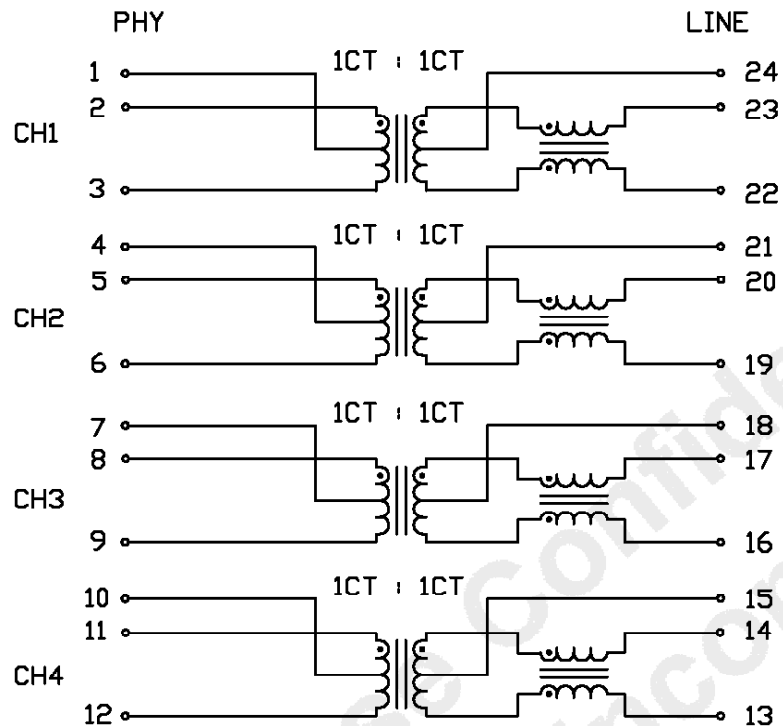
THE INFORMATION CONTAINED HEREIN IS CONSIDERED "PROPRIETARY" TO BEL FUSE INC. AND SHALL NOT BE COPIED, REPRODUCED OR DISCLOSED WITHOUT THE WRITTEN APPROVAL OF BEL FUSE INC.

RoHS



ELECTRICAL SPECIFICATION @25°C

SCHEMATIC



TURNS RATIO

(2-1-3) : (23-24-22) 1CT : 1CT
 (5-4-6) : (20-21-19) 1CT : 1CT
 (8-7-9) : (17-18-16) 1CT : 1CT
 (11-10-12) : (14-15-13) 1CT : 1CT

POLARITY

CH1, CH2 2°&23°, 5°&20°
 CH3, CH4 8°&17°, 11°&14°

INDUCTANCE

(2-3) = (5-6) = (8-9) = (11-12) 160µH MIN
 @100kHz, 100mV

INSERTION LOSS

FREQ(MHz)	1	2-50	200	400	500
dB MAX	1.0	0.5	1.0	2.0	3.0

RETURN LOSS

FREQ(MHz)	1	2-100	200	400	500
dB MIN	22	25	22	11	8

COMM. TO DIFF. MODE REJECTION

FREQ(MHz)	50	100	200	300	400	500
dB TYP	48	42	36	33	30	28

DIFF. TO COMM. MODE REJECTION

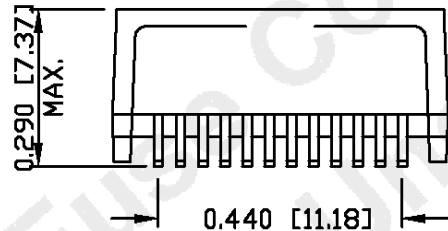
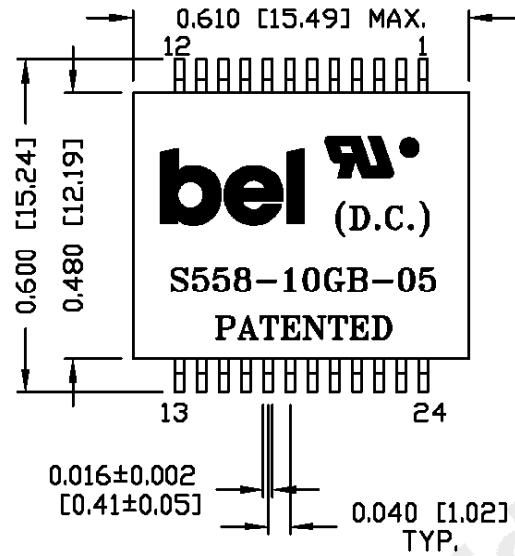
FREQ(MHz)	50	100	200	300	400	500
dB TYP	30	27	24	22	21	20

HIPOT

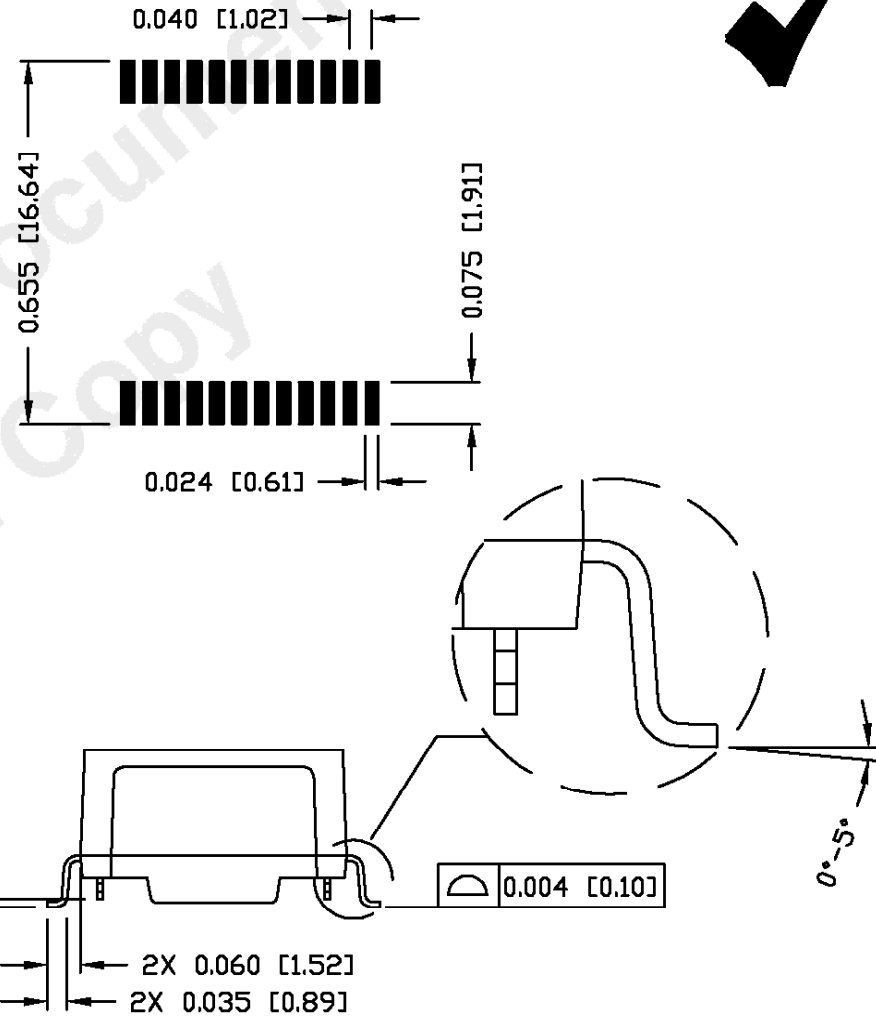
LEAKAGE CURRENT LESS THAN 1mA AT 2250VDC

ORIGINATED BY Alice Pang	DATE 2020-06-29	TITLE ELECTRICAL SPECIFICATION	PART NO. / DRAWING NO. S558-10GB-05	STANDARD DIM. TOL. IN INCH	[] METRIC DIM. AS REF.	REV. : E PAGE : 2
DRAWN BY ZC Guo	DATE 2020-06-29		FILE NAME S55810GB05E.DWG	.X .XX .XXX	UNIT : INCH [mm] SCALE : N/A	
				SIZE : A4		

THE INFORMATION CONTAINED HEREIN IS CONSIDERED "PROPRIETARY" TO BEL FUSE INC. AND SHALL NOT BE COPIED, REPRODUCED OR DISCLOSED WITHOUT THE WRITTEN APPROVAL OF BEL FUSE INC.



SUGGESTED PCB PAD LAYOUT



NOTES:

- STANDARD MARKING REFER TO DOC. HAND-WORK-04.
- PACKAGE CODE: "QABS001A".
- PATENT NO : U.S. PAT. 7429195 ; 7924130

ORIGINATED BY		DATE	TITLE	PART NO. / DRAWING NO.	STANDARD DIM.		[] METRIC DIM. AS REF.		REV. : C	PAGE : 3	
Lawrence Tsang		2016-01-25			MECHANICAL SPECIFICATION	S558-10GB-05	TOL. IN INCH		UNIT : INCH [mm]		 POWER PROTECT CONNECT
DRAWN BY		DATE	FILE NAME	.X		.XX ±0.01 .XXX ±0.005		SCALE : N/A			
ZC Guo		2016-01-25	S55810GB05C.DWG	SIZE : A4							