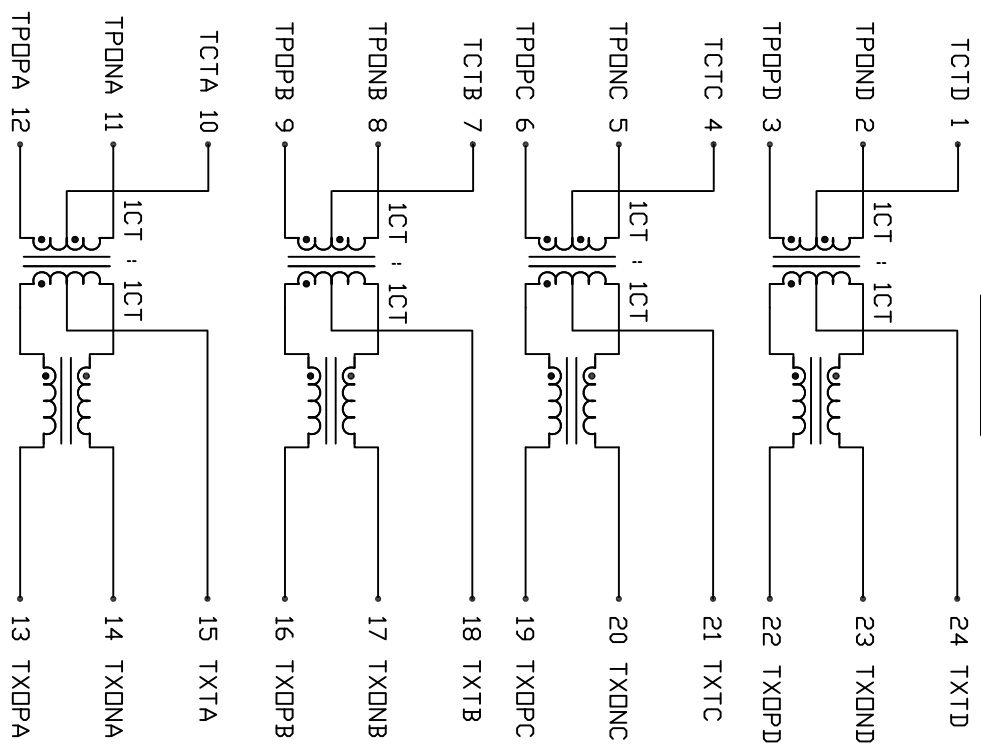


THE INFORMATION CONTAINED HEREIN IS CONSIDERED 'PROPRIETARY' TO BEL FUSE INC. AND SHALL NOT BE COPIED, REPRODUCED OR DISCLOSED WITHOUT THE WRITTEN APPROVAL OF BEL FUSE INC.



SCHEMATIC

ELECTRICAL CHARACTERISTICS @ 25°C



TURNS RATIO
 PINK(3-1-2) : (22-24-23) 1CT : 1CT
 PINK(6-4-5) : (19-21-20) 1CT : 1CT
 PINK(9-7-8) : (16-18-17) 1CT : 1CT
 PINK(12-10-11) : (13-15-14) 1CT : 1CT

DCL
 -40°C to 85°C 100KHz, 100mV
 -40°C to 85°C 180uH MIN with 8mA DC BIAS
 120uH MIN with 23A DC BIAS

RETURN LOSS
 1MHZ-100MHZ -20dB MIN
 100MHZ-300MHZ -20+16LDG((f/100MHZ) dB MIN

HIPOT
 100% OF PRODUCTION TESTED TO COMPLY WITH LEAKAGE CURRENT LESS THAN 1mA AT 1500VAC
 IEEE 802.3 ISOLATION REQUIREMENTS.
 NOTE: PORT-TO-PORT ISOLATION NOT INCLUDED.

BALANCED DC LINE CURRENT 1A MAX @57VDC CONTINUOUS

ORIGINATED BY DATE **TITLE**

PART NO. / DRAWING NO.

STANDARD DIM. [] METRIC DIM. AS REF.

REV. : A **PAGE : 2**

Brian B. 2024-09-27

X5585500K1

TOL. IN INCH

UNIT : INCH [mm]
 SCALE : N/A

DRAWN BY DATE

FILE NAME
 X5585500K1.DWG

.X
.XX
.XXX

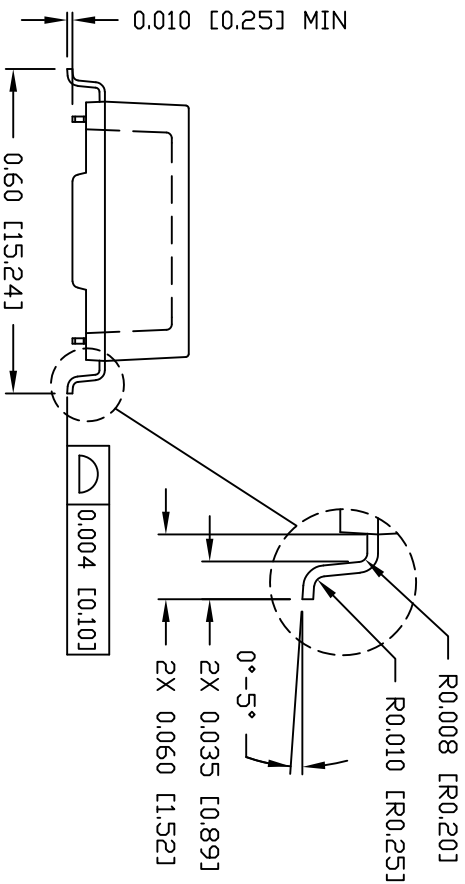
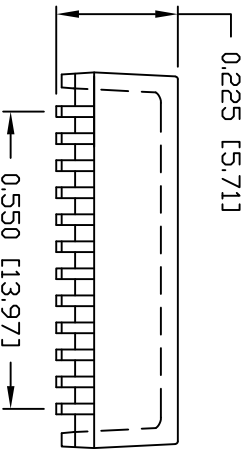
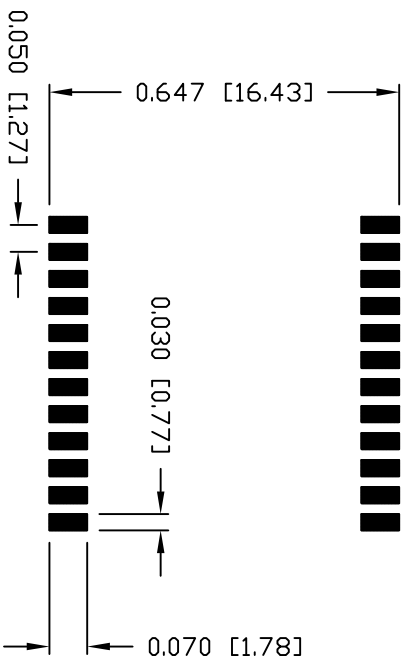
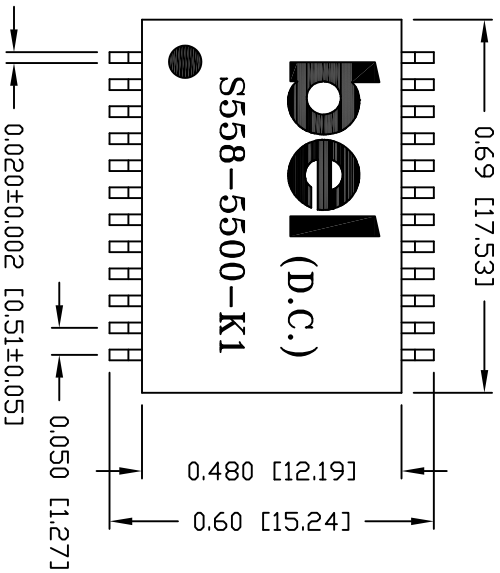
SIZE : A4

ELECTRICAL SPECIFICATION
 S558-5500-K1



THE INFORMATION CONTAINED HEREIN IS CONSIDERED PROPRIETARY TO BEL FUSE INC. AND SHALL NOT BE COPIED, REPRODUCED OR DISCLOSED WITHOUT THE WRITTEN APPROVAL OF BEL FUSE INC.

SUGGESTED PCB PAD LAYOUT



NOTES:

1. STANDARD MARKING REFER TO DDC. HAND-WORK-04.
2. PACKAGE CODE: "RQS001".

ORIGINATED BY	DATE	TITLE	PART NO. / DRAWING NO.	STANDARD DIM. [] METRIC DIM. AS REF.	REV. : A	PAGE : 3
Brian B.	2024-09-27	MECHANICAL DRAWING	X5585500K1	TOL. IN INCH		
DRAWN BY	DATE		FILE NAME	.X ±0.01	SCALE : N/A	
Brian B.	2024-09-27		X5585500K1.DWG	.XX ±0.005	SIZE : A4	
				.XXX ±0.005		



POWER | PROTECT | CONNECT