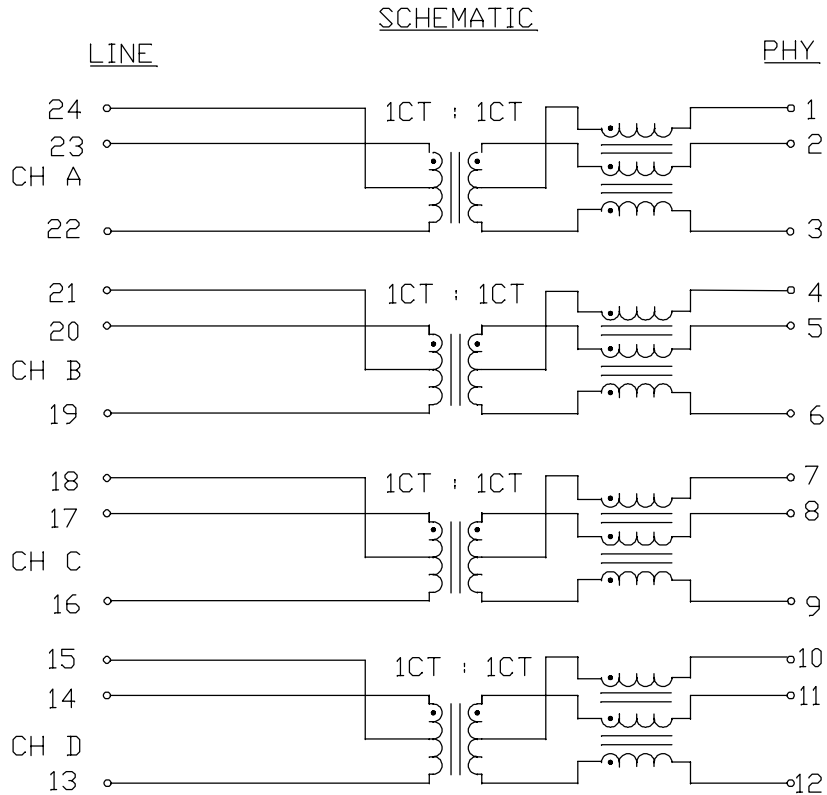


THE INFORMATION CONTAINED HEREIN IS CONSIDERED "PROPRIETARY" TO BEL FUSE INC. AND SHALL NOT BE COPIED, REPRODUCED OR DISCLOSED WITHOUT THE WRITTEN APPROVAL OF BEL FUSE INC.

ELECTRICAL SPECIFICATION @25°C



URNS RATIO

(2-1-3) : (23-24-22)  
 (5-4-6) : (20-21-19)  
 (8-7-9) : (17-18-16)  
 (11-10-12) : (14-15-13)

1CT : 1CT  
 1CT : 1CT  
 1CT : 1CT  
 1CT : 1CT

POLARITY

PER DOT CONVENTION

□CL

@100kHz, 100mV, 23mA DC BIAS  
 @100kHz, 100mV, 8mA DC BIAS

120uH MIN  
 180uH MIN

HIPOT

LEAKAGE CURRENT LESS THAN 1mA AT 2250VDC

INSERTION LOSS

FREQ(MHz)	1	2-300	400	500
MAX (dB)	0.3	1.0	1.5	2.0

RETURN LOSS

(100 OHM LINESIDE LOAD)

FREQ(MHz)	1	2-100	200	500	600
MIN (dB)	18	20	15	12	9

COMM. TO DIFF. MODE REJECTION

FREQ(MHz)	50	100	200	300	400	500
MAX (dB)	48	42	36	33	30	28

DIFF. TO COMM. MODE REJECTION

FREQ(MHz)	50	100	200	300	400	500
MAX (dB)	30	27	24	22	21	20

BALANCED DC LINE CURRENT: 1A MAXIMUM CONTINUOUS @57VDC

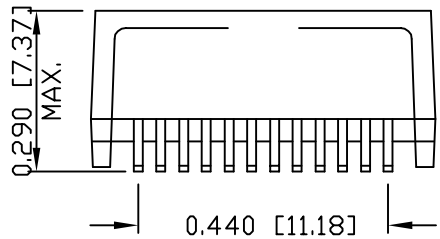
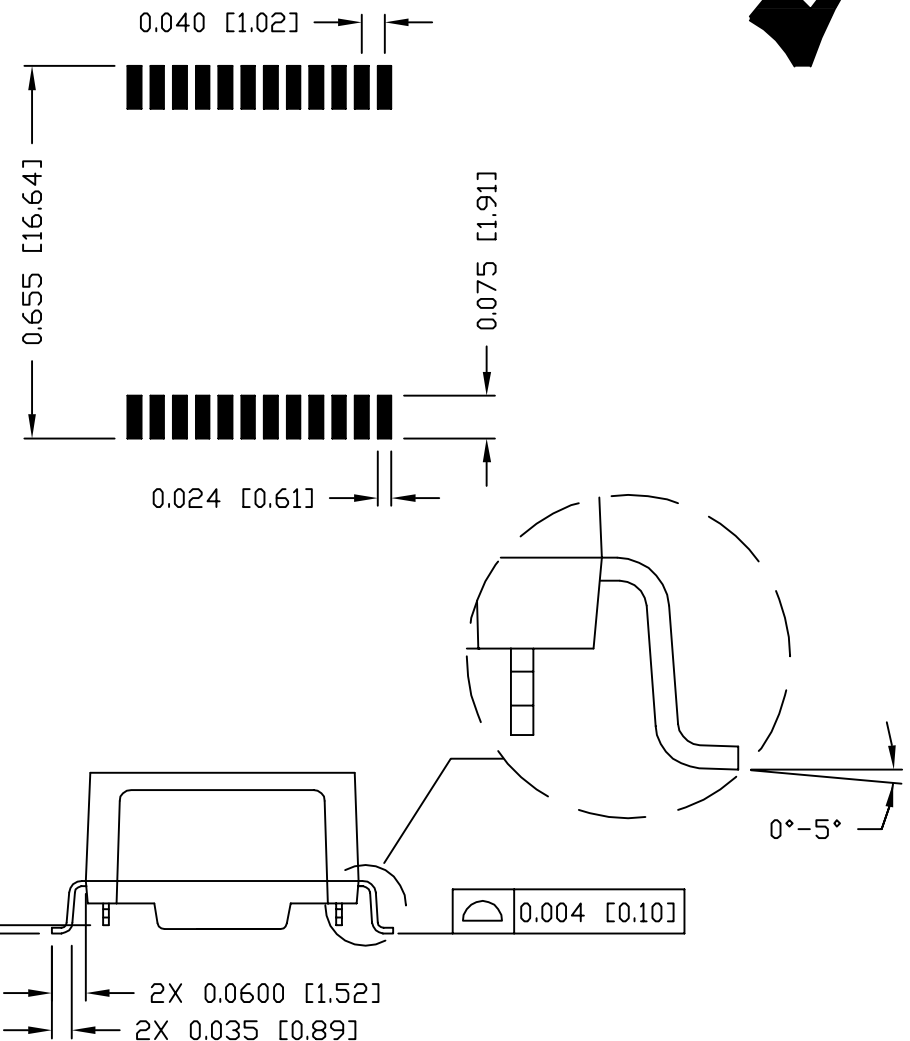
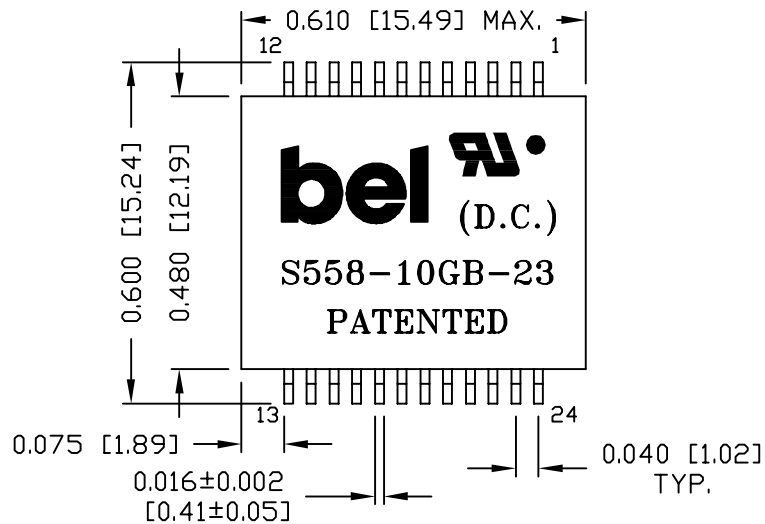
DESIGNED FOR EXTENDED TEMPERATURE 10G 100W 802.3BT APPLICATIONS  
 OPERATING TEMPERATURE : -40 TO 85°C

ORIGINATED BY      DATE		TITLE	PART NO. / DRAWING NO.		STANDARD DIM.		[ ] METRIC DIM. AS REF.		REV. : B	PAGE : 2
ZJ CHEN      2023-12-05			S558-10GB-23		TOL. IN INCH		UNIT : INCH [mm]		 POWER   PROTECT   CONNECT	
DRAWN BY      DATE			FILE NAME		.X		SCALE : N/A			
JL WU      2023-12-05		S55810GB23B.DWG		.XX		SIZE : A4				

THE INFORMATION CONTAINED HEREIN IS CONSIDERED 'PROPRIETARY' TO BEL FUSE INC. AND SHALL NOT BE COPIED, REPRODUCED OR DISCLOSED WITHOUT THE WRITTEN APPROVAL OF BEL FUSE INC.



SUGGESTED PCB PAD LAYOUT



- NOTES:
- STANDARD MARKING REFER TO DOC. HAND-WORK-04.
  - PACKAGE CODE: "QABS001".

ORIGINATED BY	DATE	TITLE	PART NO. / DRAWING NO.	STANDARD DIM.	[ ] METRIC DIM. AS REF.	REV. : A	PAGE : 3
Lawrence Tsang	2020-06-10	MECHANICAL SPECIFICATION	S558-10GB-23	TOL. IN INCH	UNIT : INCH [mm]	 POWER   PROTECT   CONNECT	
DRAWN BY	DATE		FILE NAME	.X	SCALE : N/A		
ZC Guo	2020-06-10		S55810GB23A.DWG	.XX ±0.01	SIZE : A4		
				.XXX ±0.005			