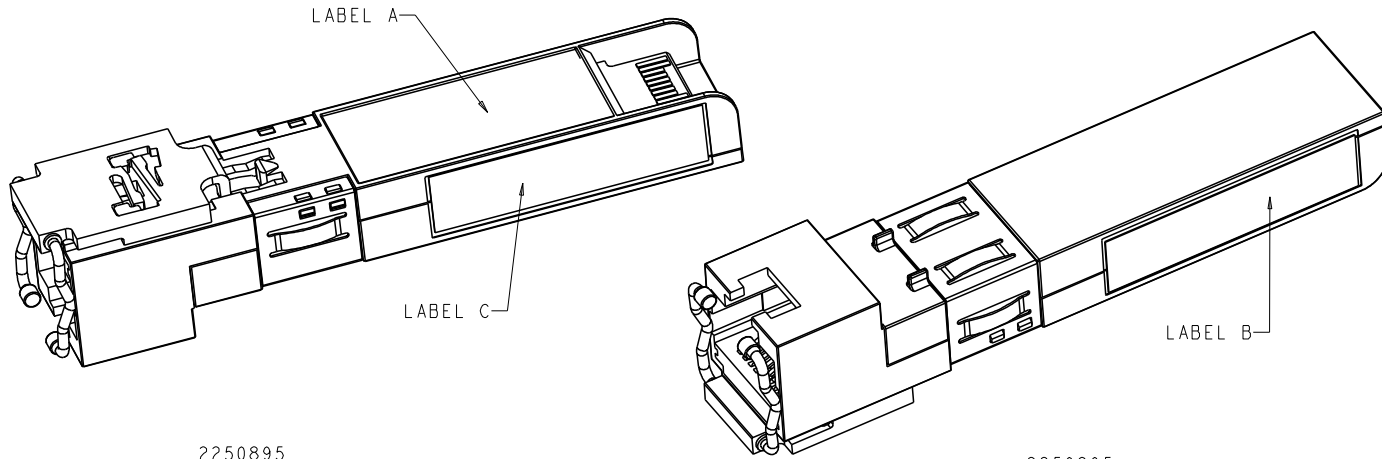


THIS DRAWING AND THE SUBJECT MATTER SHOWN THEREON ARE CONFIDENTIAL AND THE PROPERTY OF BEL/STEWART/TRP CONNECTOR AND SHALL NOT BE REPRODUCED, COPIED, OR USED IN ANY MANNER WITHOUT THE WRITTEN CONSENT OF TRP CONNECTOR.

PRODUCT MAY BE PROTECTED BY ONE OR MORE OF THE FOLLOWING US PATENTS:
 5736910 5939955 6425781 6428361 6554638 6840817 7123117
 7429195 7717749 7808751 6217391 6149050 7924130

REVISIONS				
REV	DATE	DESCRIPTION	BY	APPV
5	12NOV2025	EC-2511006	PO	TY



2250895
3D VIEW 1

2250895
3D VIEW 2

1. MATERIAL:
 PLASTIC HOUSINGS: BLACK, THERMOPLASTIC, FLAMMABILITY RATING UL 94V-0.
 SHELLS: ZINC ALLOY, PLATED WITH BRIGHT NICKEL.
 SHIELD: STAINLESS STEEL.
 CONTACTS: PHOSPHOR BRONZE PLATED WITH 1.27um MIN GOLD AT MATING INTERFACE.
 UNDERPLATE WITH SELECT 1.27um MIN GOLD AT MATING INTERFACE.
 LATCH PLASTIC: BLACK, THERMOPLASTIC.
 FLAMMABILITY RATING UL 94V-0.
 LATCH RING-PULL : STAINLESS STEEL, Ø1.00mm

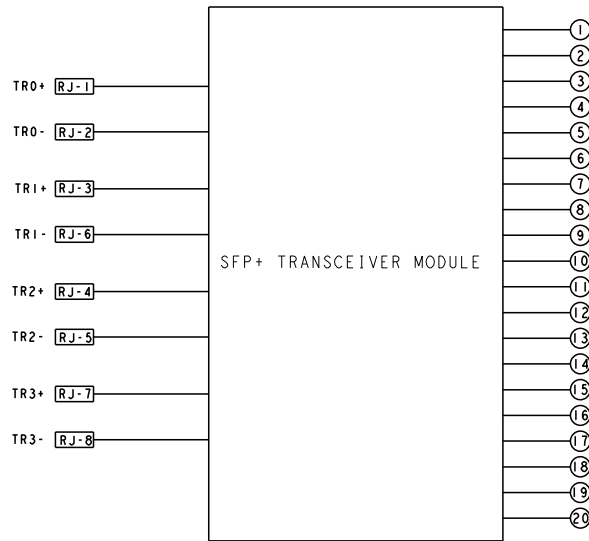
2. MAGNETICS:
 APPLICATION: 10G BASE-T
 - IMPEDANCE: 100 OHMS
 - OPEN CIRCUIT INDUCTANCE (OCL): 120 uH (MIN), 0.1V RMS 100KHZ
 WITH 8 mA DC BIAS, 25°C.
 - TURNS RATIO (CHIP-CABLE): 1:1 ALL FOUR PAIRS
 - ALL 4 PAIRS ARE BIDIRECTIONAL
 ISOLATION VOLTAGE: 2250VDC(MAX) FOR 60 SECONDS WITH A RISE TIME OF 500V/SEC AND WITH ALL PORTS CONNECTED.

3. OPERATING TEMPERATURE: 0°C TO +70°C
 4. RJ45 PORT CONFORMS TO FCC RULES AND REGULATION PART 68 SUBPART F.

RECOMMENDED OPERATING CONDITIONS

Symbol	Parameter	Min.	Max.	Units
T _J	Junction Temperature	0	108	°C
T _{JST}	Short-Term Junction Temperature	0	110	°C

7TG159L 10G CIRCUIT



PIN ASSIGNMENTS

Toward Host			Toward Bezel		
Pin No.	Name	Description	Pin No.	Name	Description
11	VeeR	Module Receiver Ground	10	VeeR	Module Receiver Ground
12	RD-	Receiver Inverted Data Output	9	RS1	Rate Select 1
13	RD+	Receiver Noninverted Data Output	8	RX_LOS	Receiver Loss of Signal Indication
14	VeeR	Module Receiver Ground	7	RS0	Rate Select 0
15	VccR	Module Receiver 3.3V	6	MOD_ABS	Module Absent
16	VccT	Module Transmitter 3.3V Supply	5	SDL	2-Wire Serial Interface Clock
17	VeeT	Module Transmitter Ground	4	SDA	2-Wire Serial Interface Data Line
18	TD+	Transmitter Noninverted Data Input	3	TX_DISABLE	Transmitter Disable
19	TC-	Transmitter Inverted Data Input	2	TX_FAULT	Transmitter Fault
20	VeeT	Module Transmitter Ground	1	VeeT	Transmitter Ground

	V	V	PKR0R	2250895-6
		V	/	2250895-5
	V	V	80GXG	2250895-4
	V	V	/	2250895-3
		V	/	2250895-2
		V	/	2250895-1
LABEL C	LABEL B	LABEL A	CUSTOMER PART NUMBER	PART NUMBER

THIS DRAWING IS A CONTROLLED DOCUMENT, AND COMPLIANT TO ASME Y14.5M

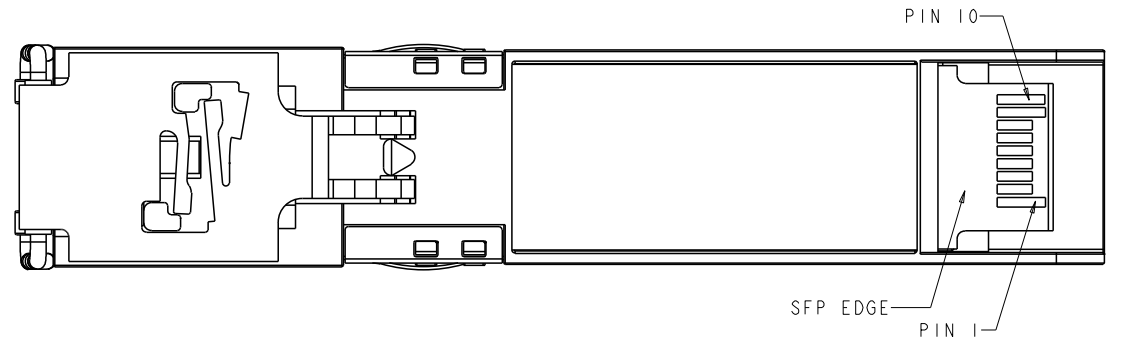
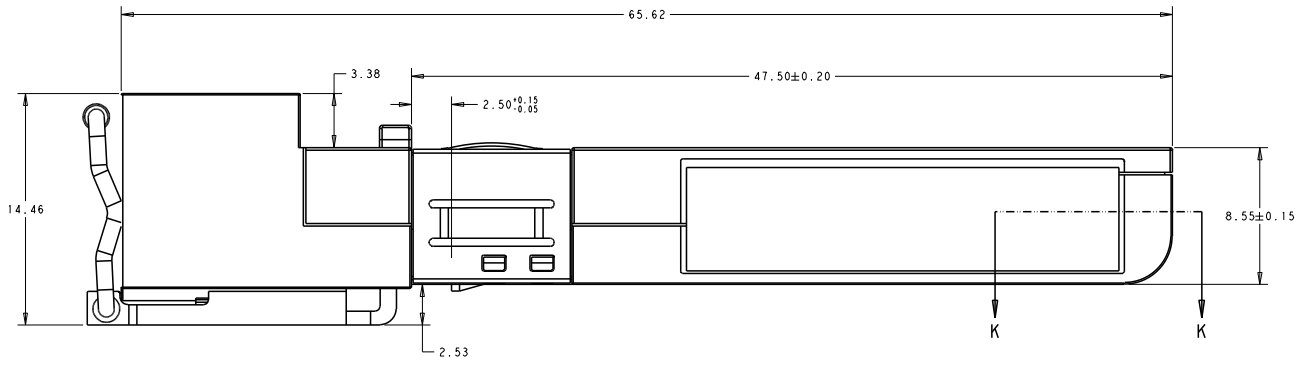
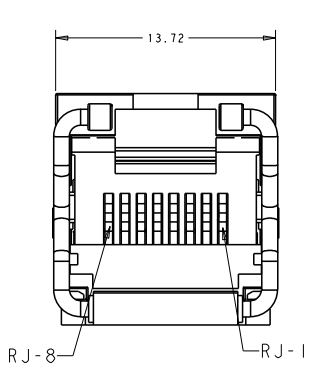
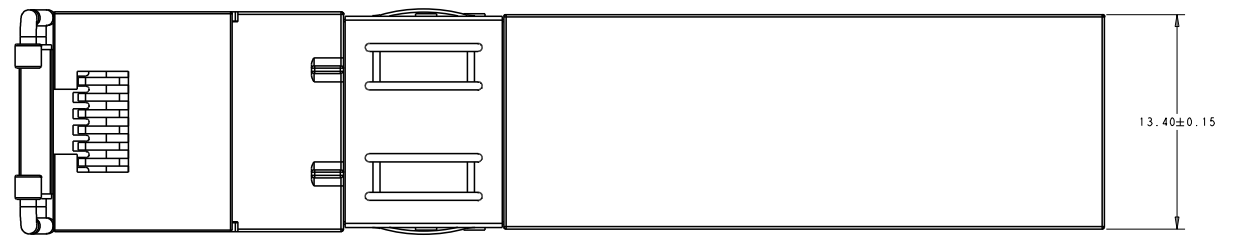
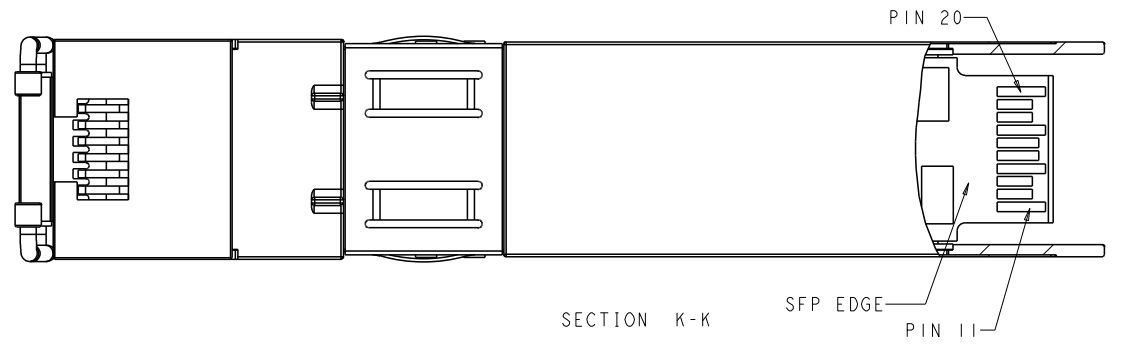
DATE: 21 JUN 2024
 CHECKED BY: RICK LI/BILL LIU
 APPROVED BY: MONY YUAN

TRP CONNECTOR DONGGUAN CHINA

MODEL NAME: MV-CUX3610M

DESCRIPTION: SFP+ TRANSCEIVER MODULE, 7TG159L, 10G, XF1

SCALE: 4:1 SHEET 1 OF 3 REV 5



THIS DRAWING IS A CONTROLLED DOCUMENT, AND COMPLIANT TO ASME Y14.5M		DATE: 21 JUN 2024 DESIGNED BY: PETER QIU/IRANK LIU CHECKED BY: BILLY LI/BILL LIU APPROVED BY: TONY WYAN	REV: 5	trp CONNECTOR DONGGUAN CHINA
DIMENSIONS: mm		MODEL NAME: MV-CUX3610M	REVISION: 5	
0 PLC A0.25 1 PLC A0.25 2 PLC A0.25 3 PLC A0.25 4 PLC A0.25 5 ANGLE		PRODUCT SPEC: 100-104019	APPLICATION SPEC: -	MODEL NAME: SFP+ TRANSCEIVER MODULE, 77G159L, 10G, XF1 SIZE: A1 CASE CODE: - DRAWING NO: C=2250895 RESTRICTED TO: - CUSTOMER DRAWING
SCALE: 4:1			SHEET: 2 OF 3	REV: 5

