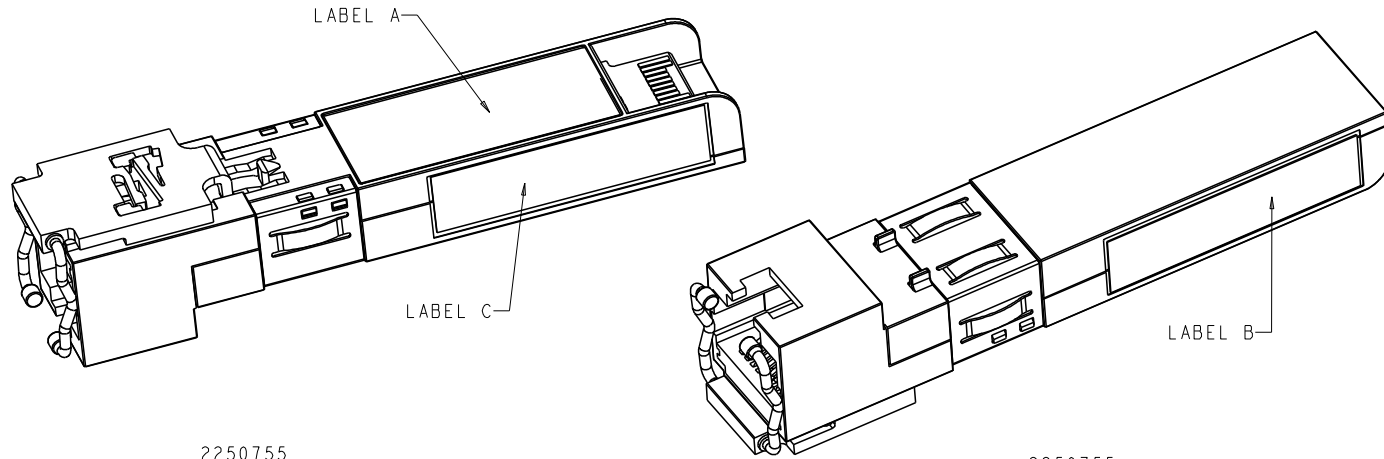


THIS DRAWING AND THE SUBJECT MATTER SHOWN THEREON ARE CONFIDENTIAL AND THE PROPERTY OF BEL/STEWART/TRP CONNECTOR AND SHALL NOT BE REPRODUCED, COPIED, OR USED IN ANY MANNER WITHOUT THE WRITTEN CONSENT OF TRP CONNECTOR.

PRODUCT MAY BE PROTECTED BY ONE OR MORE OF THE FOLLOWING US PATENTS:
 5736910 5939955 6425781 6428361 6554638 6840817 7123117
 7429195 7717749 7808751 6217391 6149050 7924130

REVISIONS				
REV	DATE	DESCRIPTION	BY	APPV
7	11JUL2025	EC-2507005.	PO	TY



2250755
3D VIEW 1

2250755
3D VIEW 2

1. MATERIAL:
 PLASTIC HOUSINGS: BLACK, THERMOPLASTIC, FLAMMABILITY RATING UL 94V-0.
 SHELLS: ZINC ALLOY, PLATED WITH BRIGHT NICKEL.
 SHIELD: STAINLESS STEEL.
 CONTACTS: PHOSPHOR BRONZE PLATED WITH 1.27um MIN GOLD AT MATING INTERFACE.
 UNDERPLATE WITH SELECT 1.27um MIN GOLD AT MATING INTERFACE.
 LATCH PLASTIC: BLACK, THERMOPLASTIC.
 FLAMMABILITY RATING UL 94V-0.
 LATCH RING-PULL : STAINLESS STEEL, Ø1.00mm

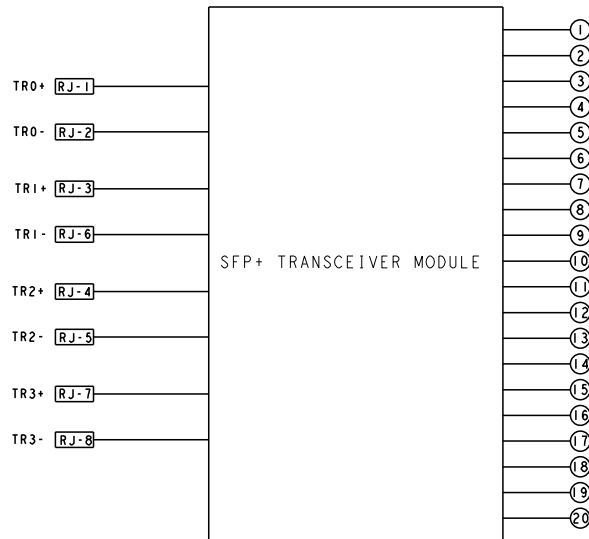
2. MAGNETICS:
 APPLICATION: 10G BASE-T
 - IMPEDANCE: 100 OHMS
 - OPEN CIRCUIT INDUCTANCE (OCL): 160 uH (MIN), 0.1VRMS 100KHZ
 WITH 8 mA DC BIAS, 25°C.
 - TURNS RATIO (CHIP-CABLE): 1:1 ALL FOUR PAIRS
 - ALL 4 PAIRS ARE BIDIRECTIONAL
 ISOLATION VOLTAGE: 2250VDC(MAX) FOR 60 SECONDS WITH A RISE TIME OF 500V/SEC AND WITH ALL PORTS CONNECTED.

3. OPERATING TEMPERATURE: 0°C TO +70°C
 4. RJ45 PORT CONFORMS TO FCC RULES AND REGULATION PART 68 SUBPART F.

RECOMMENDED OPERATING CONDITIONS

Symbol	Parameter	Min.	Max.	Units
T _J	Junction Temperature	0	108	°C
T _{JST}	Short-Term Junction Temperature	0	110	°C

7TG159 10G CIRCUIT



PIN ASSIGNMENTS

Toward Host			Toward Bezel		
Pin No.	Name	Description	Pin No.	Name	Description
11	VeeR	Module Receiver Ground	10	VeeR	Module Receiver Ground
12	RD-	Receiver Inverted Data Output	9	RS1	Rate Select 1
13	RD+	Receiver Noninverted Data Output	8	RX_LOS	Receiver Loss of Signal Indication
14	VeeR	Module Receiver Ground	7	RS0	Rate Select 0
15	VccR	Module Receiver 3.3V	6	MOD_ABS	Module Absent
16	VccT	Module Transmitter 3.3V Supply	5	SDL	2-Wire Serial Interface Clock
17	VeeT	Module Transmitter Ground	4	SDA	2-Wire Serial Interface Data Line
18	TD+	Transmitter Noninverted Data Input	3	TX_DISABLE	Transmitter Disable
19	TC-	Transmitter Inverted Data Input	2	TX_FAULT	Transmitter Fault
20	VeeT	Module Transmitter Ground	1	VeeT	Transmitter Ground

	V	V	460-000006	2250755-5
	V	V	/	2250755-4
	V	V	740-123734	2250755-3
	V	V	AQS-113-AX-1	2250755-2
	V	V	/	2250755-1
LABEL C	LABEL B	LABEL A	CUSTOMER PART NUMBER	PART NUMBER

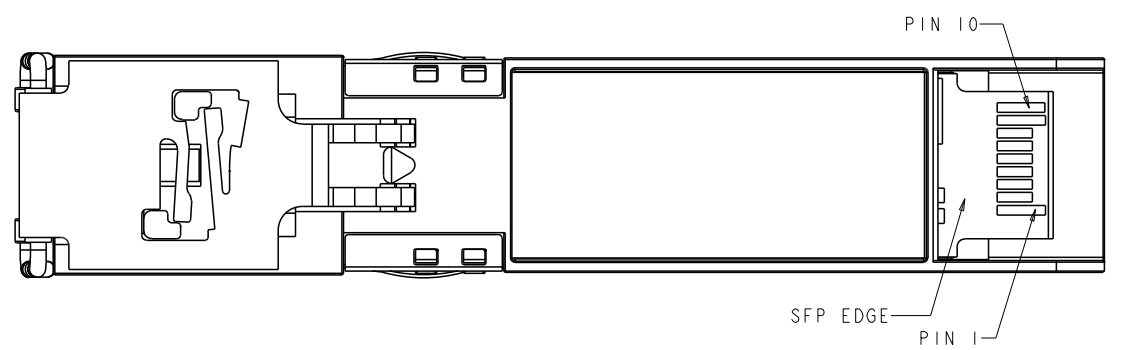
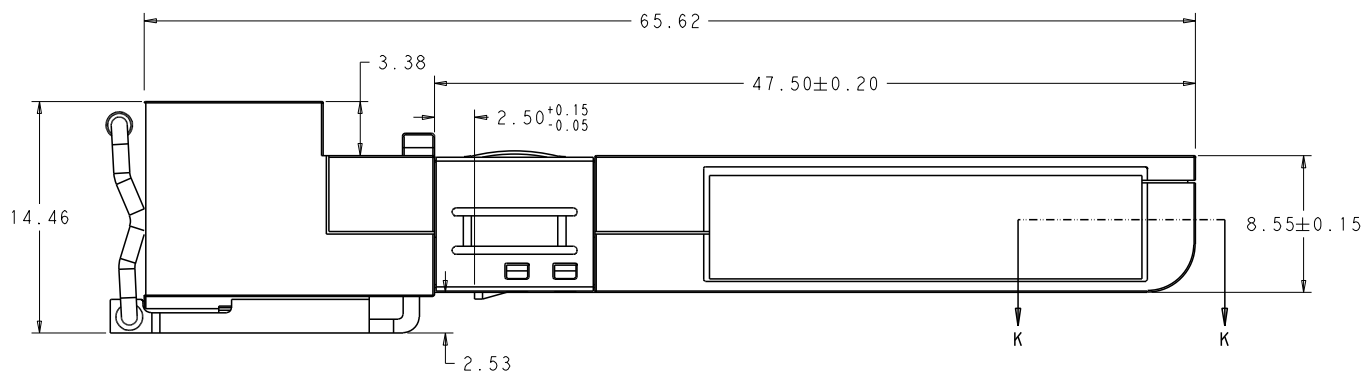
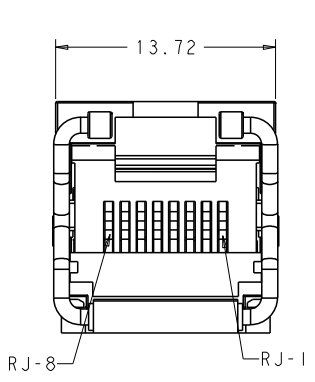
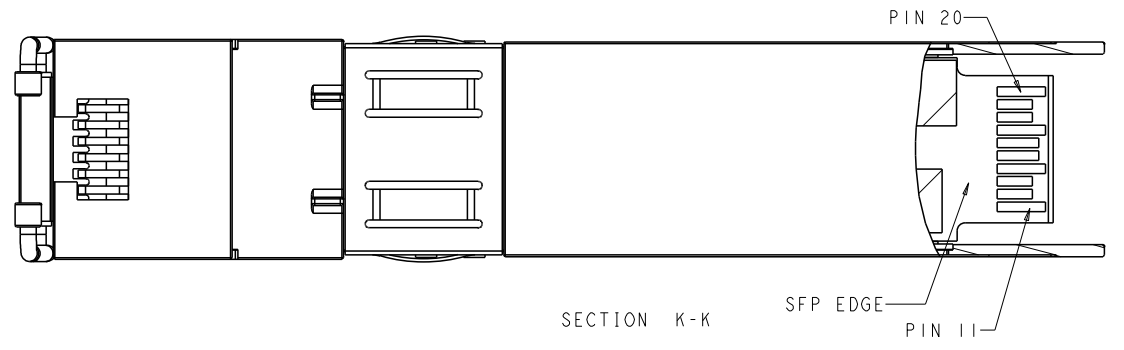
THIS DRAWING IS A CONTROLLED DOCUMENT, AND COMPLIANT TO ASME Y14.5M

DATE: 31MAR2021
 CHK: PETER.QUIRAN/LL
 APPV: RICK.LI/BILL.LIU
 DIMENSIONS: mm
 DIMENSIONS: INCHES: 0.001

PRODUCT SPEC: 10G-104019
 APPLICATION SPEC: -

MODEL NAME: AQS-113
 CUSTOMER DRAWING

TRP CONNECTOR DONGGUAN CHINA
 SFP+ TRANSCEIVER MODULE, 7TG159, 10G, XF1
 SIZE: A1
 CASE CODE: -
 DRAWING NO: 2250755
 RESTRICTED TO: -
 SCALE: 4:1 SHEET 1 OF 3 REV 7



THIS DRAWING IS A CONTROLLED DOCUMENT, AND COMPLIANT TO ASME Y14.5M		DPN: 31MAR2021 CHN: PETER.QIU@TRP.COM APP: 31MAR2021	trp CONNECTOR DONGGUAN CHINA
DIMENSIONS: mm		MODEL NAME: AQS-113 CUSTOMER DRAWING	
	0 P/LC A0 25 1 P/LC A0 25 2 P/LC A0 25 3 P/LC A0 25 4 P/LC A0 25 5 P/LC A0 25 6 P/LC A0 25 7 P/LC A0 25 8 P/LC A0 25 9 P/LC A0 25 10 P/LC A0 25	SPEC: SFP+ TRANSCEIVER MODULE, 7TG159, 10G, XF1	RESTRICTED TO: - SCALE: 4:1 SHEET 2 OF 3 REV 7
	PRODUCT SPEC: 10S-104013 APPLICATION SPEC: -	SIZE: A1 CASE CODE: - DRAWING NO: C=2250755	

2250755


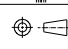
STOCK DISPOSITION

A: CONTINUE AS IS
 B: REWORK
 C: SCRAP

D: USE OLD FIRST
 E: PARTS TO CONFORM
 F: OTHER

REVISION HISTORY

DATE	REV	CHANGES	REASON	APPROVAL	INVENTORY (A,B,C,D,E,F)	WORK IN PROCESS (A,B,C,F)	SUPPLIER ORDERS (A,E,F)	OPEN CUST ORDERS (A,E,F)
31MAR2021	1	INITIAL RELEASE.	INITIAL RELEASE.	TONY YUAN	-	-	-	-
8APR2021	2	1. REMOVE THE WATERMARK. 2. MAKE THE DIMENSION NUMBERS LARGER. 3. ADD LABER B FOR 2250755-3.	ENGINEERING CHANGE.	TONY YUAN	-	-	-	-
16JUL2021	3	1. CHANGE AQS-113-CX-1-SP TO AQS-113-CX-1. 2. CHANGE AQS-113-AX-1-SP TO AQS-113-AX-1. 3. CHANGE AQS-113-JX-1-SP TO AQS-113-JX-1.	ENGINEERING CHANGE.	TONY YUAN	-	-	-	-
12MAY2022	4	SHEET 1, A1 AREA , DELETE CUSTOMER PART NUMBER AQS-113-CX-1. SHEET 1, A1 AREA , CHANGE THE CUSTOMER PART NUMBER FROM AQS-113-JX-1 TO 740-123734.	ENGINEERING CHANGE.	TONY YUAN	-	-	-	-
13MAR2023	5	1. ADD P/N 2250755-4.	ENGINEERING CHANGE.	TONY YUAN	-	-	-	-
25JUN2024	6	1. ADD P/N 2250755-5.	ENGINEERING CHANGE.	TONY YUAN	-	-	-	-
11JUL2025	7	1. CHANGE THE MODEL NAME FROM MAGJACK SINGLE Non-PoE TO AQS-113.	ENGINEERING CHANGE.	TONY YUAN	-	-	-	-

THIS DRAWING IS A CONTROLLED DOCUMENT, AND COMPLIANT TO ASME Y14.5M		DATE: 31MAR2021 CHK: PETER QIU/ZIRANG LIU DATE: 31MAR2021 CHK: LILY/BILL LIU	 trp CONNECTOR DONGGUAN CHINA	
DIMENSIONS: mm	APPROVED: TONY YUAN	DATE: 31MAR2021	SFP+ TRANSCEIVER MODULE, 7TG159, 10G, XF1	
 0 P/LC A0.25 1 P/LC A0.25 2 P/LC A0.25 3 P/LC A1.1 4 P/LC B1.1 ANGLES	MODEL NAME: AQS-113	SIZE: A1	CAGE CODE: 2250755	RESTRICTED TO: -
PRODUCT SPEC: 100-104019	APPLICATION SPEC: -	CUSTOMER DRAWING	SCALE: 4:1	SHEET 3 OF 3 REV 7