

Chassis Mount

M4L Series

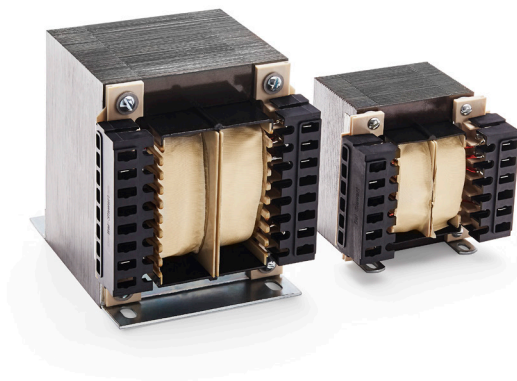
More-4-Less™ International Transformers

Greater Performance in Less Space

Boasting superior isolation, the M4L series of transformers provide more than 12 mm creepage distance between the input and output windings. Constructed of materials to support up to 60°C ambient environments.

General Specifications

- Power - 300, 450, 600 and 1000 VA ratings
- Dielectric Strength - 4.0 kV
- Available Input Voltage - 100, 105, 115, 125, 200, 210, 215, 230, 250 V 50/60 Hz
- Available Output voltage - 16, 20, 24, 28, 32, 36, 40, 48, 115, 230V
- Touch-Safe terminals (IP20 type) offer a screw/binding clamp for hard wiring and 3/16" & 1/4" Fast-On connections
- Insulation System - Class F (155°C) UL 1446 File # E66312
- Leakage Current - agency tested @ < 30 micro Amps
- Flame Rating - UL 94-V0



Agency Certifications

- UL Standards - UL 5085-1, UL 5085-2, UL 60601-1, UL 60950-1, UL 2097
- Meets - UL 864, UL 913, UL 916, UL 924, UL 1012 & UL 1238
- CSA Standards - 22.2 #66.1, File # 221070
- IEC / EN Standards - IEC / EN 62368, (VDE License 1447)
- CE Compliance - VDE Declaration of Conformity LVD 2014/35/EU



belfuse.com/signal

Part Number Selection

Part No.	VA	Single Primary with taps	Dual Primary Series	Dual Primary Parallel	Single Secondary no taps	Dual Secondary Series	Dual Secondary Parallel
Standard							
M4L-1-3	300	105V/115V/125V	X	X	115V @ 2.6A	X	X
M4L-2-3	300	210V/230V/250V	X	X	115V @ 2.6A	X	X
M4L-3-3	300	X	200V or 215V or 230V	115V or 100V	115V @ 2.6A	X	X
M4L-1-4	450	105V/115V/125V	X	X	115V @ 3.9A	X	X
M4L-2-4	450	210V/230V/250V	X	X	115V @ 3.9A	X	X
M4L-3-4	450	X	200V or 215V or 230V	115V or 100V	115V @ 3.9A	X	X
M4L-1-6	600	105V/115V/125V	X	X	115V @ 5.2A	X	X
M4L-2-6	600	210V/230V/250V	X	X	115V @ 5.2A	X	X
M4L-3-6	600	X	200V or 215V or 230V	115V or 100V	115V @ 5.2A	X	X
M4L-1-10	1000	105V/115V/125V	X	X	115V @ 8.7A	X	X
M4L-2-10	1000	210V/230V/250V	X	X	115V @ 8.7A	X	X
M4L-3-10	1000	X	200V or 215V or 230V	115V or 100V	115V @ 8.7A	X	X
Expansion							
M4L-3-3-16	300	X	230V/215V/200V	115V/100V	X	16V @ 18.75A	8V @ 37.5A
M4L-3-3-20	300	X	230V/215V/200V	115V/100V	X	20V @ 15.0A	10V @ 30A
M4L-3-3-24	300	X	230V/215V/200V	115V/100V	X	24V @ 12.5A	12V @ 25A
M4L-3-3-28	300	X	230V/215V/200V	115V/100V	X	28V @ 10.7A	14V @ 21.4A
M4L-3-3-32	300	X	230V/215V/200V	115V/100V	X	32V @ 9.38A	16V @ 18.76A
M4L-3-3-36	300	X	230V/215V/200V	115V/100V	X	36V @ 8.3A	18V @ 16.6A
M4L-3-3-40	300	X	230V/215V/200V	115V/100V	X	40V @ 7.5A	20V @ 15A
M4L-3-3-48	300	X	230V/215V/200V	115V/100V	X	48V @ 6.25A	24V @ 12.5A
M4L-3-3-115	300	X	230V/215V/200V	115V/100V	X	230V @ 1.3A	115V @ 2.6A
M4L-3-3-230	300	X	230V/215V/200V	115V/100V	230V @ 1.3A	X	X
M4L-3-4-24	450	X	230V/215V/200V	115V/100V	X	24V @ 18.75A	12V @ 37.5A
M4L-3-4-28	450	X	230V/215V/200V	115V/100V	X	28V @ 16.0A	14V @ 32A
M4L-3-4-32	450	X	230V/215V/200V	115V/100V	X	32V @ 14A	16V @ 28A
M4L-3-4-36	450	X	230V/215V/200V	115V/100V	X	36V @ 12.5A	18V @ 25A
M4L-3-4-40	450	X	230V/215V/200V	115V/100V	X	40V @ 11.25A	20V @ 22.5A
M4L-3-4-48	450	X	230V/215V/200V	115V/100V	X	48V @ 9.38A	24V @ 18.75A
M4L-3-4-115	450	X	230V/215V/200V	115V/100V	X	230V @ 1.96A	115V @ 3.9A
M4L-3-4-230	450	X	230V/215V/200V	115V/100V	230V @ 1.96A	X	X
M4L-3-6-28	600	X	230V/215V/200V	115V/100V	28V @ 21.4A	X	X
M4L-3-6-32	600	X	230V/215V/200V	115V/100V	X	32V @ 18.75A	16V @ 37.5A
M4L-3-6-36	600	X	230V/215V/200V	115V/100V	X	36V @ 16.6A	18V @ 33.3A
M4L-3-6-40	600	X	230V/215V/200V	115V/100V	X	40V @ 15.0A	20V @ 30A
M4L-3-6-48	600	X	230V/215V/200V	115V/100V	X	48V @ 12.5A	24V @ 25A
M4L-3-6-115	600	X	230V/215V/200V	115V/100V	X	230V @ 2.6A	115V @ 5.2A
M4L-3-6-230	600	X	230V/215V/200V	115V/100V	230V @ 2.6A	X	X



Custom versions available upon request.



128 Atlantic Avenue, Lynbrook, NY 11563
 Toll Free 866-239-5777 | Tel 516-239-5777 | Fax 516-239-7208
 sales@signaltransformer.com | techhelp@signaltransformer.com

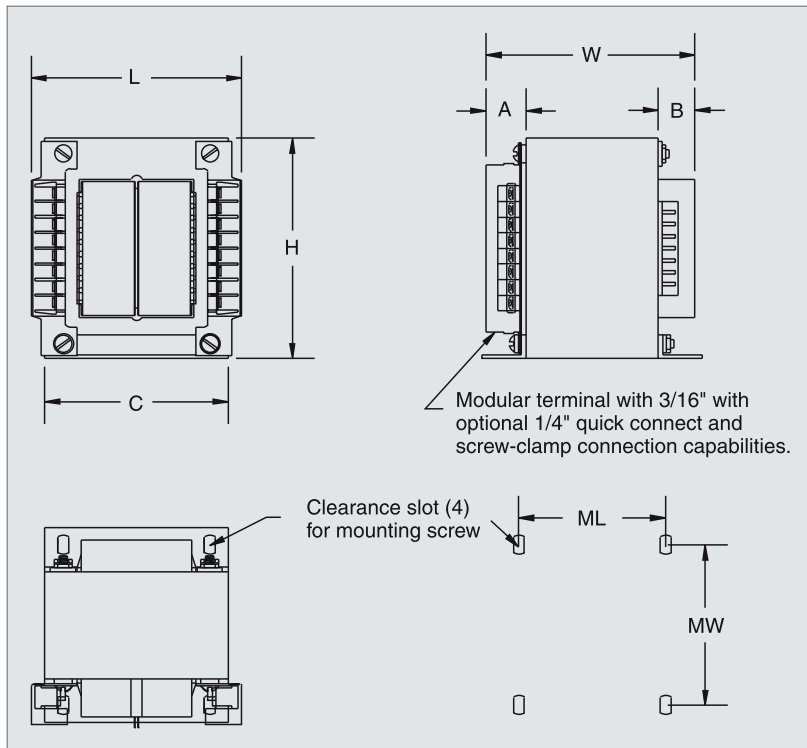
belfuse.com/signal

M4L Series Datasheet

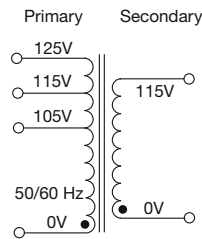
M4L-3-10-28	1000	X	230V/215V/200V	115V/100V	28V @ 35.7A	X	X
M4L-3-10-32	1000	X	230V/215V/200V	115V/100V	32V @ 31.25A	X	X
M4L-3-10-36	1000	X	230V/215V/200V	115V/100V	36V @ 27.7A	X	X
M4L-3-10-40	1000	X	230V/215V/200V	115V/100V	40V @ 25.0A	X	X
M4L-3-10-48	1000	X	230V/215V/200V	115V/100V	48V @ 20.83A	X	X
M4L-3-10-115	1000	X	230V/215V/200V	115V/100V	X	230V @ 4.35A	115 @ 8.7A
M4L-3-10-230	1000	X	230V/215V/200V	115V/100V	230V @ 4.35A	X	X

Mechanical Specifications

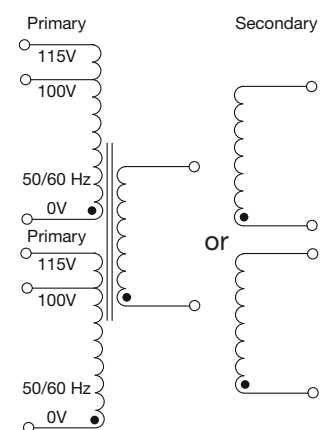
VA	Inches (mm)									Mounting Screw	Weight lbs (kg)
	L	W	H	A	B	C	ML	MW			
300	4.20 (106.68)	4.08 (103.51)	3.75 (95.3)	1.33 (33.8)	0.62 (15.9)	3.12 (79.4)	2.50 (63.5)	3.12 (79.4)	#10	7.0 (3.18)	
450	4.46 (113.28)	4.33 (110)	4.50 (114.3)	1.33 (33.8)	0.75 (19.1)	3.75 (95.3)	3.00 (76.2)	3.25 (82.6)	#10	11.0 (5)	
600	4.46 (113.28)	5.08 (129.03)	4.50 (114.3)	1.33 (33.8)	0.75 (19.1)	3.75 (95.3)	3.00 (76.2)	4.06 (103.2)	#10	14.3 (6.49)	
1000	4.89 (124.20)	5.70 (144.78)	5.25 (133.4)	1.33 (33.8)	0.87 (22.2)	4.37 (111.1)	3.50 (88.9)	4.68 (119.1)	1/4	22.0 (10.0)	



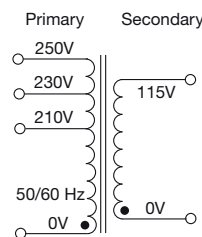
M4L-1



M4L-3



M4L-2



Custom versions available upon request.



128 Atlantic Avenue, Lynbrook, NY 11563
 Toll Free 866-239-5777 | Tel 516-239-5777 | Fax 516-239-7208
 sales@signaltransformer.com | techhelp@signaltransformer.com

belfuse.com/signal