



# BL Series

## Autotransformers for Lighting Applications

The BL Series of Lighting Transformers are specialty, open frame style autotransformers, intended for internal mounting installations in lighting applications. These durable units are designed for adaptation to multiple industrial and commercial requirements allowing the use of typical 277 V power lighting fixtures on other input voltage systems.

Used with LED drivers, fluorescent ballasts and other lighting devices, these products find their way in many markets from manufacturing, warehousing, office space, parking and garage to healthcare, hospitality, and street lighting environments.



### General Features

- Laminations of high quality silicon steel for loss minimization
- Copper magnet wire operation efficiency
- UL 1015 600 V 105°C PVC stranded lead wires

### Specifications

- 135°C max. temperature rise
- 3 kV dielectric strength
- 50/60 Hz operation frequency
- 130°C insulation system
- 25 - 500 VA power ratings

### Standards & Certifications

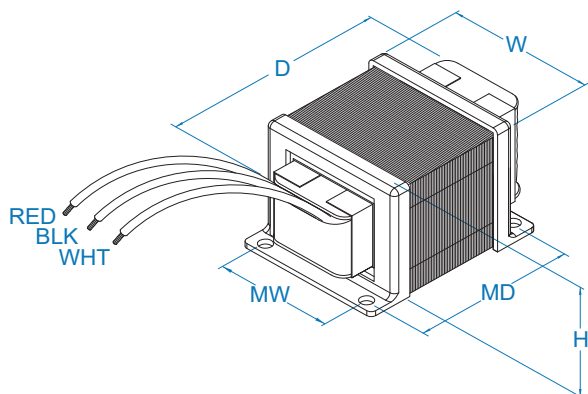
- UL Recognized to UL 506/5085-2, File #E63829
- UL Recognized EIS, Class H 180°C, File #E66312

### Industry Standards

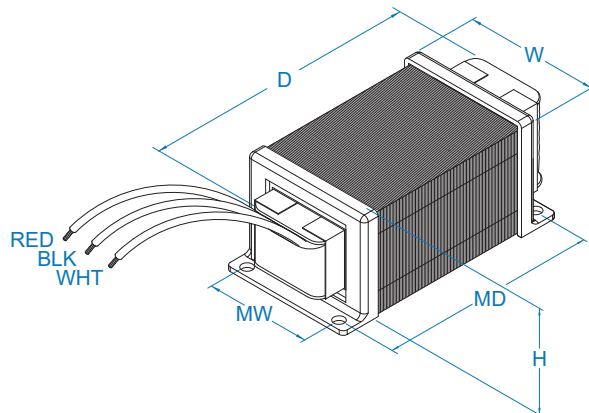
- Performance meets/exceeds requirements of ANSI/NEMA ST-1
- Regulation exceeds ANSI/NEMA requirements for all ratings
- All lighting transformers are built and tested in accordance with applicable NEMA, ANSI & IEEE standards

**MECHANICAL DRAWINGS**

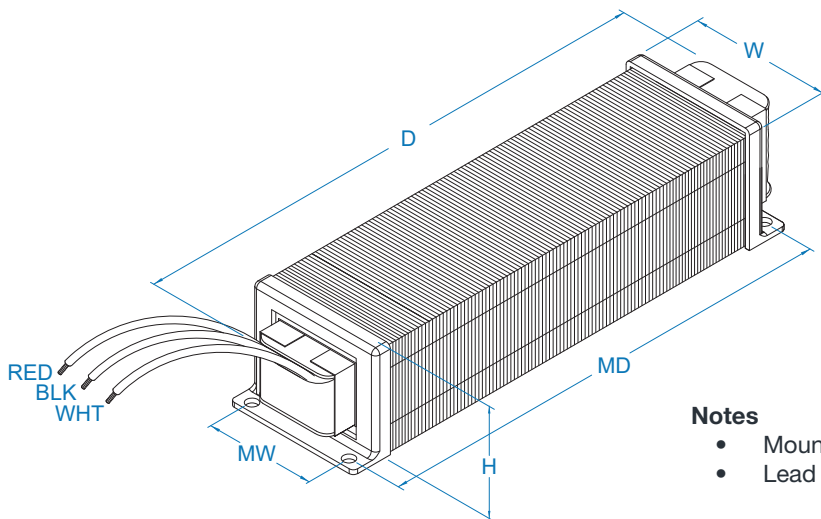
**BL-0025S / BL-0035S / BL-0050S**



**BL-0060M / BL-0075M / BL-0100M / BL-0240M**



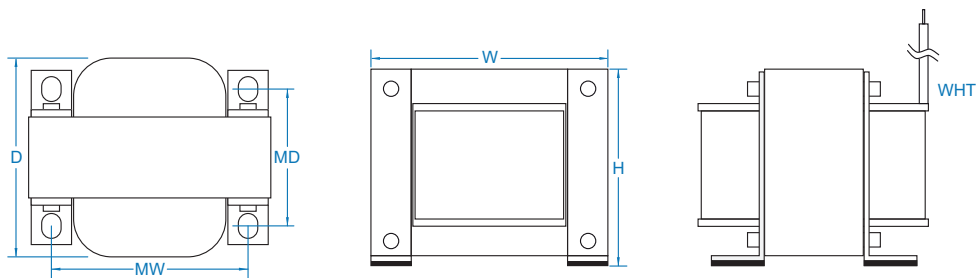
**BL-0125L / BL-0170L / BL-0240L**



**Notes**

- Mounting hole diameter: 0.156 in
- Lead type gauge length: UL 1015, 18 AWG, 8.00 ± 0.39 in

**BL-0245T / BL-0275U / BL-0460T / BL-0500T**



**Notes**

- Mounting slot: 0.20 x 0.50 in ± 0.04 in
- Lead type gauge length: UL 1015, 18 AWG, 9.50 ± 0.39 in

**Custom versions available upon request.**

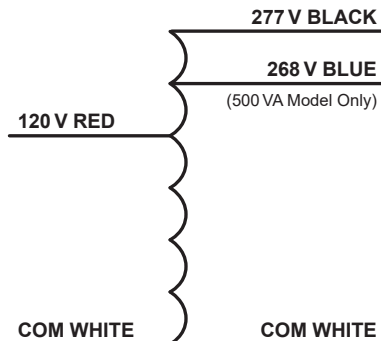


128 Atlantic Avenue, Lynbrook, NY 11563  
Toll Free 866-239-5777 | Tel 516-239-5777 | Fax 516-239-7208  
sales@signaltransformer.com | techhelp@signaltransformer.com

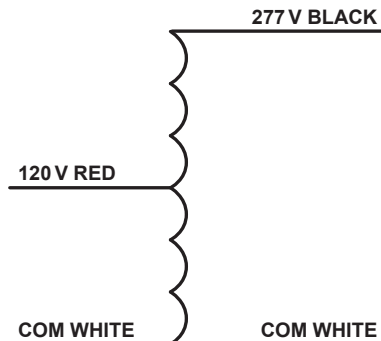
[belfuse.com/signal](http://belfuse.com/signal)

**SCHEMATIC DIAGRAMS**

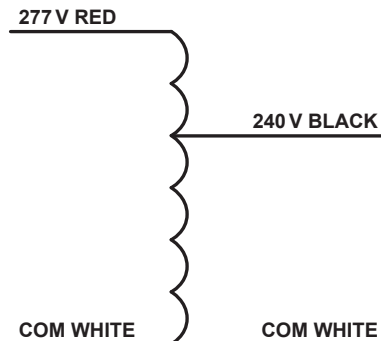
**BL-0275T / BL-0500T**



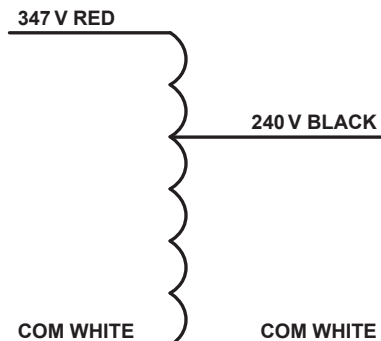
**BL-0275U**



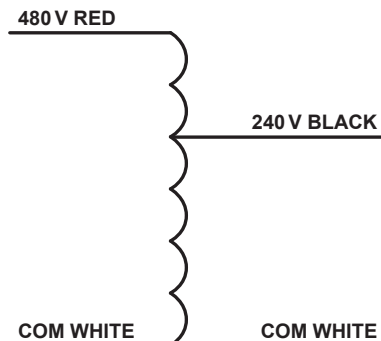
**BL-0125S / BL-0240M**



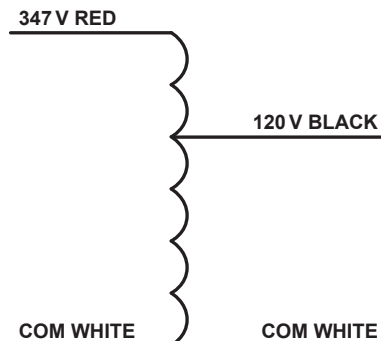
**BL-0050S / BL-0100M / BL-0240L**



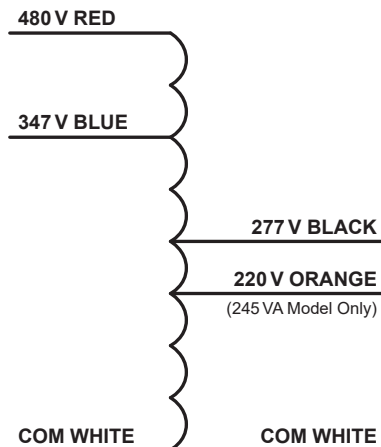
**BL-0035S / BL-0075M / BL-0170L**



**BL-0025S / BL-0060M / BL-0125L**



**BL-0245T / BL-0460T**



**Custom versions available upon request.**



128 Atlantic Avenue, Lynbrook, NY 11563  
Toll Free 866-239-5777 | Tel 516-239-5777 | Fax 516-239-7208  
sales@signaltransformer.com | techhelp@signaltransformer.com

[belfuse.com/signal](http://belfuse.com/signal)

**PRODUCT SELECTION GUIDE**

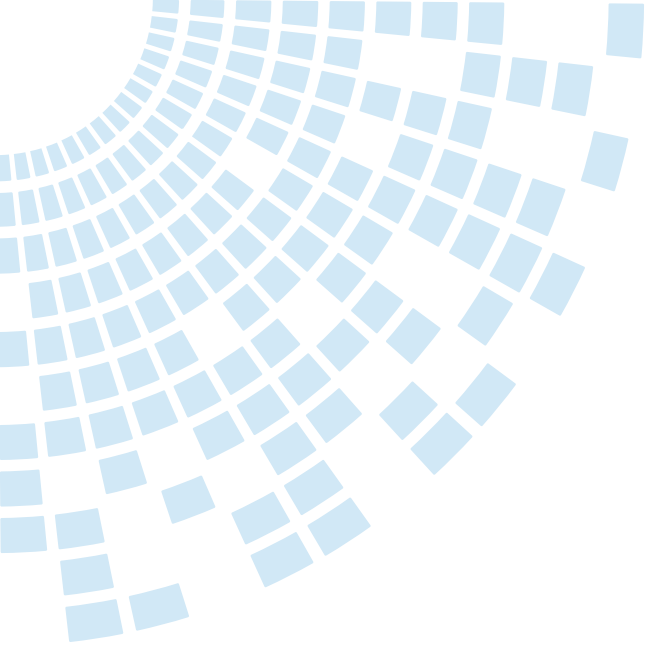
PART NUMBER	POWER (VA)	INPUT @ 50/60 Hz (VAC)	OUTPUT @ Full load (VAC)	DIMENSIONS		WEIGHT (lb)
				W x H x D (inch)	MW x MD (inch)	
BL-0025S	25	347	120	1.68 x 1.36 x 1.85	1.38 x 1.60	0.60
BL-0035S	35	480	240	1.68 x 1.36 x 1.85	1.38 x 1.60	0.60
BL-0050S	50	347	240	1.68 x 1.36 x 1.85	1.38 x 1.60	0.60
BL-0060M	60	347	120	1.68 x 1.36 x 3.35	1.38 x 3.05	1.25
BL-0075M	75	480	240	1.68 x 1.36 x 3.35	1.38 x 3.05	1.25
BL-0100M	100	347	240	1.68 x 1.36 x 3.35	1.38 x 3.05	1.25
BL-0125S	125	277	240	1.68 x 1.36 x 1.85	1.38 x 1.60	0.60
BL-0125L	125	347	120	1.68 x 1.36 x 6.38	1.38 x 6.05	2.70
BL-0170L	170	480	240	1.68 x 1.36 x 6.38	1.38 x 6.05	2.70
BL-0240L	240	347	240	1.68 x 1.36 x 6.38	1.38 x 6.05	2.70
BL-0240M	240	277	240	1.68 x 1.36 x 3.35	1.38 x 3.05	1.25
BL-0245T	245	480 / 347	277 / 240	3.39 x 2.93 x 3.14	2.81 x 2.51	5.30
BL-0275U	275	120	277	3.80 x 3.35 x 3.50	3.13 x 2.88	7.00
BL-0460T	460	480 / 347	277	3.80 x 3.16 x 3.60	3.13 x 3.00	7.20
BL-0500T	500	120	277 / 268	4.13 x 3.45 x 3.60	3.44 x 3.00	8.60

**Custom versions available upon request.**



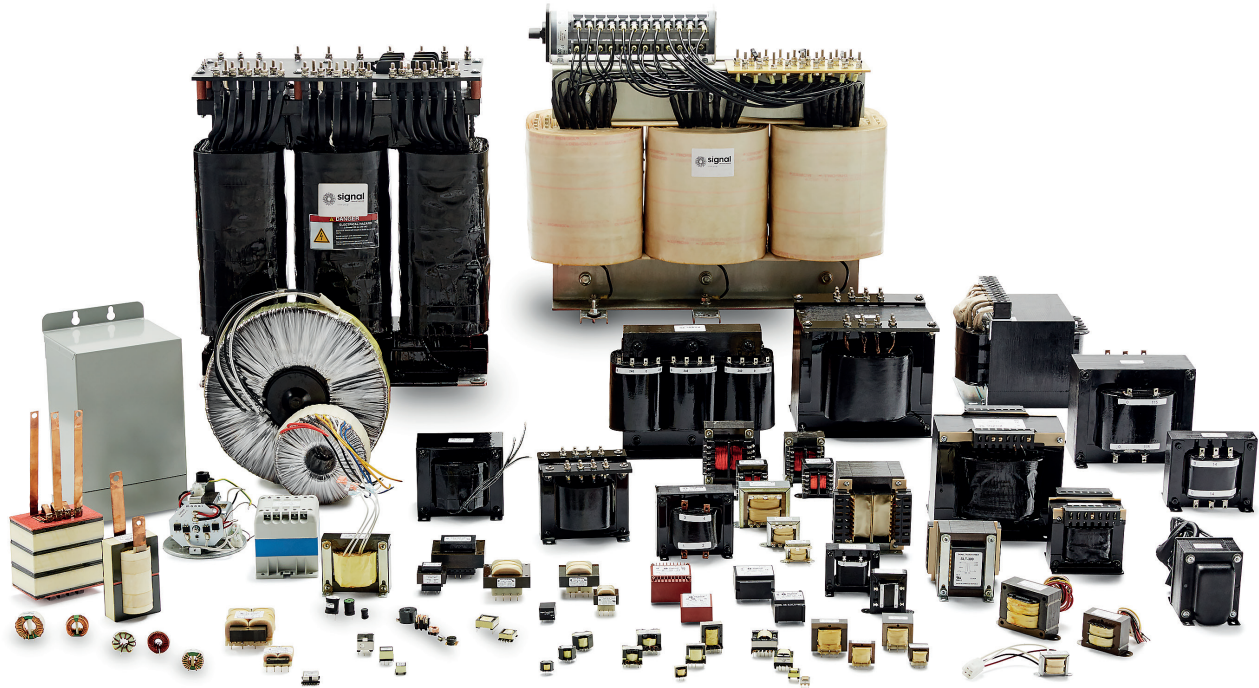
128 Atlantic Avenue, Lynbrook, NY 11563  
Toll Free 866-239-5777 | Tel 516-239-5777 | Fax 516-239-7208  
sales@signaltransformer.com | techhelp@signaltransformer.com

[belfuse.com/signal](https://belfuse.com/signal)



## About Signal Transformer

Signal Transformer is known as the world's leader of wire wound magnetic solutions since 1959. With over 50 years of experience manufacturing transformers, chokes, inductors and custom or modified standard products. Signal offers not only the most comprehensive line of certified standard power conversion products, with our vast engineering, manufacturing and regulatory resources; Signal Transformer excels in the design and manufacturer of cost effective, specialized platforms.



**For more information,  
please contact us:**

128 Atlantic Avenue  
Lynbrook, NY 11563

**Toll Free +1 866-239-5777**

Tel +1 516-239-5777

Fax +1 516-239-7208

sales@signaltransformer.com  
techhelp@signaltransformer.com

[belfuse.com/signal](https://belfuse.com/signal)

