



Front Panels and DIN Racks

Accessories



Front Panels

Front panels are available for 19" DIN-rack mounting of 3U cassette type power supplies in *Schroff* system version (*Intermas* system on request) and may be attached to the converter by means of countersunk screws.

An assembly kit, consisting of a front panel and a support bracket, enables arrangement of two standard cassettes with up to six output voltages in 6 U configuration.

All front panels are of colorless anodized aluminum and delivered with one or 2 grey plastic handles of 3 TE for easy pull-out and 2 or 4 hand-press insertable plastic retainers with captive screws for fixing to the rack.

Note: Custom specific front panels are available on request.

Dimensions according to DIN 41494-1 (IEC 60297):

Width: 1 TE = 5.08 mm (0.2")

Height: 1 U = 44.45 mm (1.75")

Tolerances: ±0.2 mm, unless otherwise specified.

Note: In Europe, often *HE* instead of *U* is used.



Table of Contents

Front Panels	1
<i>Schroff</i> System for 3 U Rack	2
<i>Intermas</i> System for 3 U Rack.....	4
<i>Schroff</i> System Kit for 6 U Rack	5

DIN Rack Systems	6
------------------------	---



Schroff System for 3 U Rack

Front Panels in 4, 5, 6 or 8 TE for Q, P and HP Series

These front panels available in three versions and fit to all DC-DC converters of the Q, P and HP Series; see fig. 1 for the mechanical details.

Table 1: Front panel selection for Q, P and HP Series

TE	X [mm]	Case size	Conv. series	Panel type	Designation
4	20.0	Q01, Q05	Q, HP	G04-Q01	HZZ00835
		Q04	P	G04-Q04	HZZ00840
5	25.1	Q01, Q05	Q, HP	G05-Q01	HZZ00836
		Q04	P	G05-Q04	HZZ00841
6	30.2	Q01, Q05	Q, HP	G06-Q01	HZZ00839
		Q04	P	G06-Q04	HZZ00842
8	40.3	Q01, Q05	Q, HP	G08-Q01	HZZ00846
		Q04	P	G08-Q04	HZZ00850

Note: For using several units nearby to each other, we advise to pack them not too densely, in order to assure good thermal management (see also relevant data sheet).

Delivery content:

Front panel, grey plastic handle, 3 countersunk screws, set of 2 plastic retainers with captive screws, and assembly instruction.

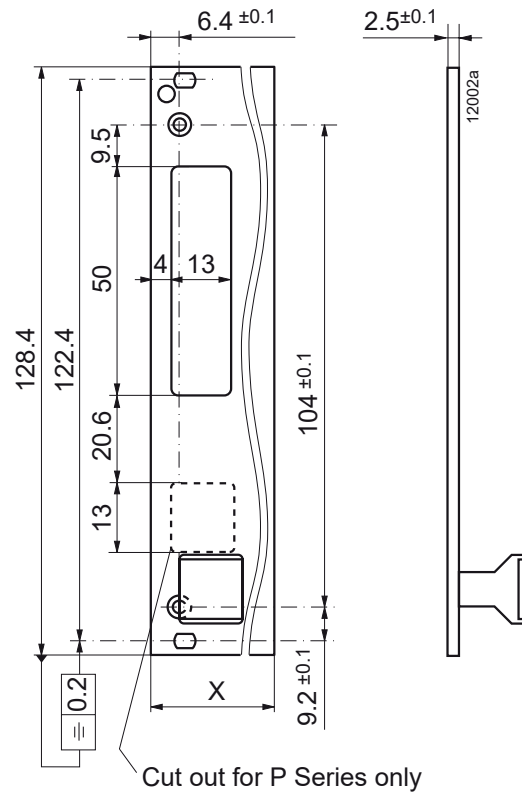


Fig. 1
Front panel for Q, P and HP Series converters

Front Panels 8 TE for M and LH Series

This front panel fits to all 50 Watt DC-DC and AC-DC converters of the M Series (case M02) and LH Series (case H02).

Table 2: Front panel selection for M and LH Series

TE	X [mm]	Case size	Converter series	Panel type Designation
8	40.3	M02	M	G08-M02
		H02	LH	HZZ00802

Delivery content:

Front panel with grey plastic handle, 2 countersunk screws, set of 2 plastic retainers with captive screws, and assembly instruction.

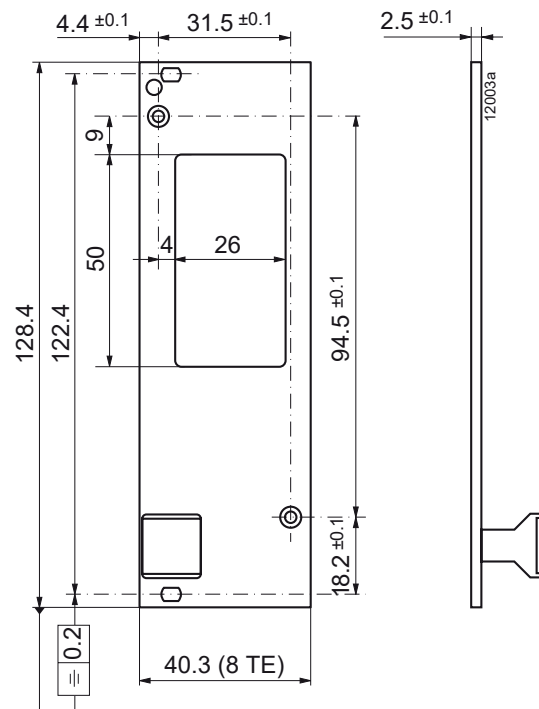


Fig. 2
Front panel for M and LH Series

Front Panels 8 TE for PSL Series

This front panel fits to the Switching Regulators of the PSL Series (case size L04).

Table 3: Front panel selection for PSL Series

TE	X [mm]	Case size	Converter series	Panel type Designation
8	40.3	L04	PSL	G08-L HZZ00805
			PSL with option D	G08-L04-D HZZ00816

Delivery content:

Front panel with grey plastic handle, 2 countersunk screws, set of 2 plastic retainers with captive screws and assembly instructions.

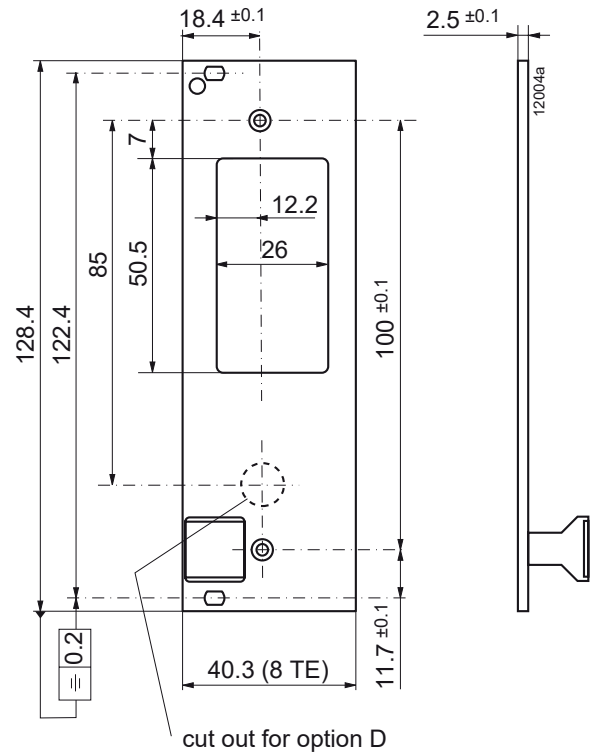


Fig. 3
Front panel for PSL Series

Front Panels 12 TE for S, HR, HRL, ER, ERL, PSS, LR Front Panels 16 TE for K, HRP, ERP, PSK, LRP

These front panels fit to the converter series mentioned in the table below

Table 4: Front panel selection for S, K, PSS, PSK, and all R Series converters

TE	X [mm]	Case size	Converter series	Panel type Designation
12	60.6	S01	PSS	G12-S HZZ00845
		S02	S	
		S03	ER, ERL, HR, HRL, LR	
16	81.0	K01	PSK	G16-K HZZ00831
		K02	K	
		K03	ERP, HRP, LRP	

Delivery content:

Front panel with grey plastic handle, two countersunk screws, set of four plastic retainers with captive screws and assembly instructions.

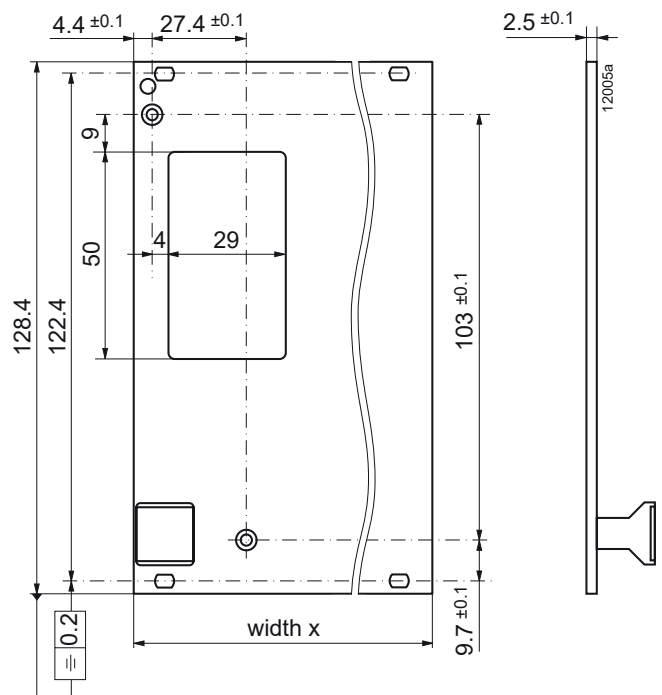


Fig. 4
Front panels for S, K, R, PSS, PSK Series; see table 4

Intermas System for 3 U Rack

The major differences between the Interma and the Schroff system front panels are the thickness (2 mm instead of 2.5 mm), the hole size for the plastic retainers, and a small cut-out on each side; see figure 5. All other dimensions are specified in the relevant Schroff front panel drawings.

The following Interma front panels are available on request:

Table 5: Interma front panel selection

Width x		Case size	Conv. series	Panel type Designation
TE	[mm]			
8	40.3	H02	LH	F08-M02 HZZ00702
		M02	M	
8	40.3	L04	PSL	F08-L HZZ00705
			PSL with option D	F08-L04-D HZZ00716
12	60.6	S01	PSS	F12-S HZZ00732
		S02	S	
		S03	HR, HRL, ER, ERL	
16	81.0	K01	PSK	F16-K HZZ00731
		K02	K	
		K03	ERP, HRP	

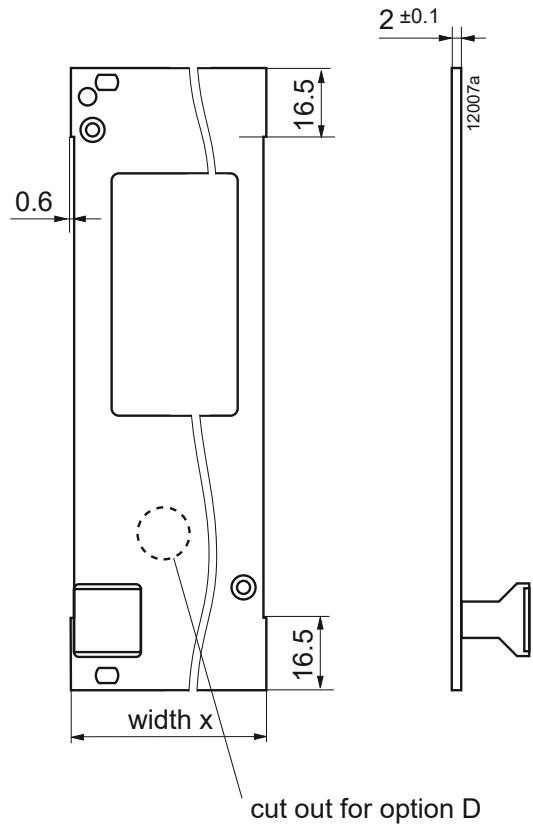


Fig. 5
Interma system front panels (various case sizes)

Delivery content:

Front panel with grey plastic handle, 2 countersunk screws and assembly instructions.

Schroff System Kit for 6 U Rack

To configure Melcher converters for use in 6 U racks, a special assembly kit has been created consisting of a double-height front panel together with a support bracket for 2 converters as shown in figure 6.

All other dimensions are given in the relevant 3 U front panel drawings according to their case size. The assembly kit is available with the type designation according to the following table:

Table 6: 6 U assembly kit selection

Width x		Case size	Converter series	Panel type Designation
TE	[mm]			
5	25.1	Q01, Q05	Q, HP	Kit G05-6HE-Q01 HZZ00838
		Q04	P	Kit G05-6HE-Q04 HZZ00844
8	40.3	H02	LH	Kit G08-6HE-M02 HZZ00804
		M02	M	
12	60.6	S01	PSS	Kit G12-6HE-S HZZ00833
		S02	S	
		S03	HR, HRL, ER, ERL	
16	81.0	K01	PSK	Kit G16-6HE-K HZZ00832
		K02	K	
		K03	ERP, HRP	

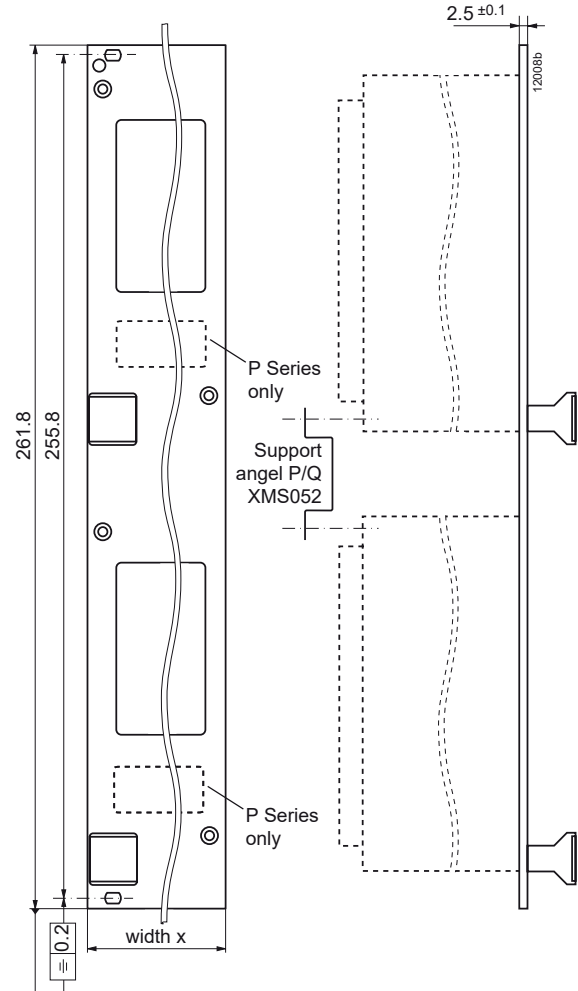


Fig. 6
Front panel for 6 U configuration (various case sizes).
Different additional holes depending on the model are not shown in the drawing.

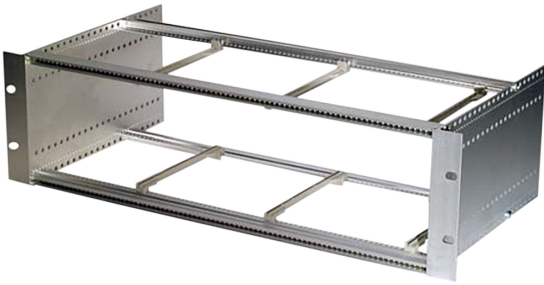
Delivery content:

Double-height front panel with 2 grey plastic handles, 4 countersunk screws, set of 2 plastic retainers with captive screws, a support bracket, and assembly instruction.

Supporting Angle P/Q (HZZ01302-G)

The kit contains the support angel XMS052-G and 2 counter sunk screws in a bag.

DIN-Rack Systems



Complete 19" rack with side walls, transversal rails, and mounting flanges. 6 guiding rails are included for set up of a system. The rails shall be fixed to the rack by the included screws (12 screws M2.5 x 12 and 12 nuts).

The rack can be used for 19" cassette style converters such as Q, P, HP, M, K, S, R, etc. (additional guiding rails XKR001-G may be necessary).

Part no.: MQB02002 (system Rittal)
 Size: 19" x 3 U / 84 HP (483 x 132 x 235 mm)
 Guiding rails: HZZ01228-G (10 pcs XKR001-G in a bag)

Enhanced version for Railway application (system Schroff):

Part no.: MQB02020G
 Guiding rails: HZZ01230-G (10 pcs. XAD.00056 + screws and nuts in a bag).

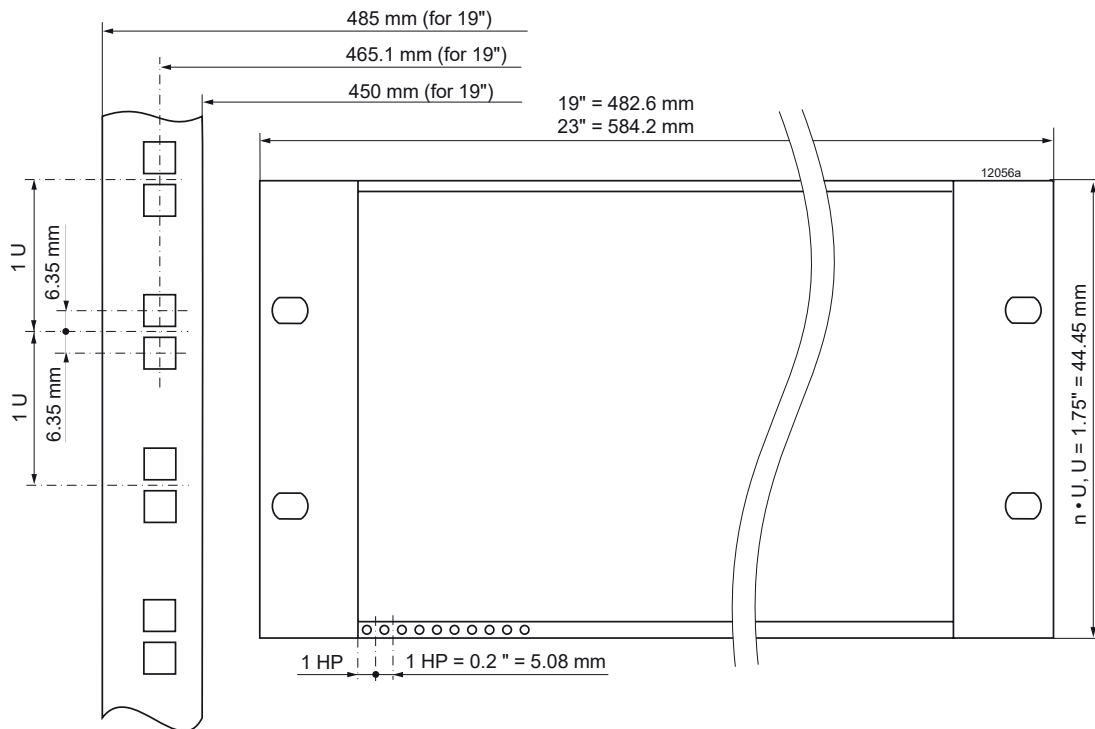


Fig. 7
19" DIN-Rack systems

Dimensions in according to DIN 41494-1 (IEC 60297):
 Width: 1 HP (or TE) = 5.08 mm (0.20"); Height: 1 U (or HE) = 44.45 mm (1.750")
 Tolerances ± 0.2 mm, unless otherwise specified.

NUCLEAR AND MEDICAL APPLICATIONS - These products are not designed or intended for use as critical components in life support systems, equipment used in hazardous environments, or nuclear control systems.

TECHNICAL REVISIONS - The appearance of products, including safety agency certifications pictured on labels, may change depending on the date manufactured. Specifications are subject to change without notice.