

**SERIES:** SWI45C-N | **DESCRIPTION:** AC-DC POWER SUPPLY

**FEATURES**

- up to 45 W continuous power
- DoE Level VI efficiency
- universal input voltage range
- integrated USB Type C receptacle
- USB Power Delivery (PD) 3.0 compliant
- certified to UL 62368-1
- custom designs available

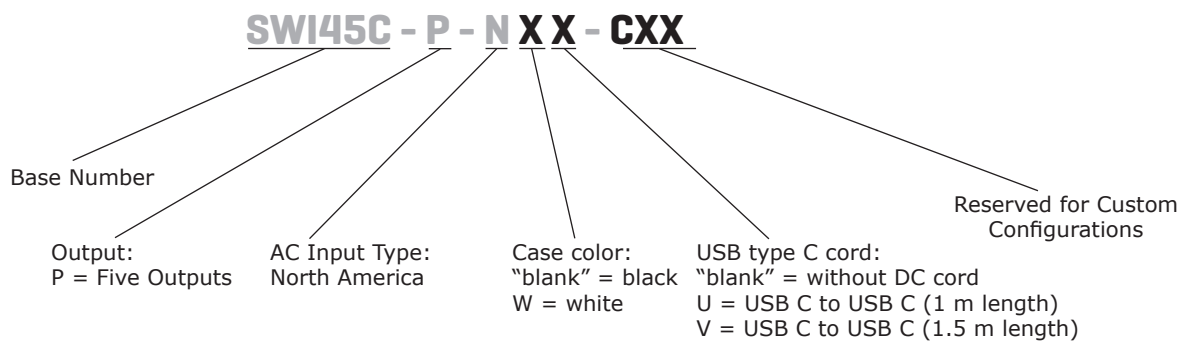


**MODEL**

MODEL	output voltage nom (Vdc)	output current max (A)	output power max (W)	ripple and noise <sup>1</sup> max (mVp-p)	efficiency level
SWI45C-P-N	5	3.0	15	200	VI
	9	3.0	27	200	VI
	12	3.0	36	200	VI
	15	3.0	45	200	VI
	20	2.25	45	200	VI

Notes: 1. At full load, nominal input, 20 MHz bandwidth oscilloscope, each output terminated with 0.1 µF multilayer ceramic and 47 µF low ESR electrolytic capacitors.

**PART NUMBER KEY**



Note: The color of the DC cord matches the color of the product.

**INPUT**

parameter	conditions/description	min	typ	max	units
voltage		90	100~240	264	Vac
frequency		47	50~60	63	Hz
current				1.0	A
leakage current				0.25	mA
no load power consumption	at 230 Vac			0.1	W

**OUTPUT**

parameter	conditions/description	min	typ	max	units
load regulation	10% ~ 100% rated load		±5		%
line regulation	±10% of input voltage		±5		%
start-up time	100 ~ 240 Vac			3	s
rise time	10% ~ 90% of nominal voltage, full load			50	ms
hold-up time	at 120 Vac/60 Hz, at full load	10			ms

**PROTECTIONS**

parameter	conditions/description	min	typ	max	units
over voltage protection	auto recovery, hiccup				
	5 Vdc output voltage			9.0	Vdc
	9 Vdc output voltage			16.2	Vdc
	12 Vdc output voltage			21.6	Vdc
	15 Vdc output voltage			27.0	Vdc
over current protection	20 Vdc output voltage			36.0	Vdc
	auto recovery, hiccup				
	5 Vdc output voltage	3.2		4.6	A
	9 Vdc output voltage	3.2		4.6	A
	12 Vdc output voltage	3.2		4.6	A
short circuit protection	15 Vdc output voltage	3.2		4.6	A
	20 Vdc output voltage	2.4		3.6	A
	auto recovery, hiccup				

**SAFETY & COMPLIANCE**

parameter	conditions/description	min	typ	max	units
isolation voltage	input to output for 1 minute, 10 mA max		3,000		Vac
	input to output for 2 seconds, 10 mA max		3,600		Vac
safety approvals	certified to 62368-1: UL				
EMI/EMC	FCC Part 15 Subpart B Class B				
ESD	EN61000-4-2 contact: 4 kV, air: 8 kV, perf. Criteria A				
radiated immunity	EN61000-4-3 3 V/m, 80% AM (1kHz), perf. Criteria A				
EFT/burst	EN61000-4-4 line to line: 1 kV, line to earth: 1 kV, perf. Criteria A				
surge	EN61000-4-5 line to line: 1 kV, line to earth: 2 kV, perf. Criteria A				
conducted immunity	EN61000-4-6 3 Vrms, 80% AM (1kHz), perf. Criteria A				
MTBF	as per Telcordia SR-332 (Issue 3), full load, 230V/50Hz, at 25°C	300,000			hours
RoHS	yes				

## ENVIRONMENTAL

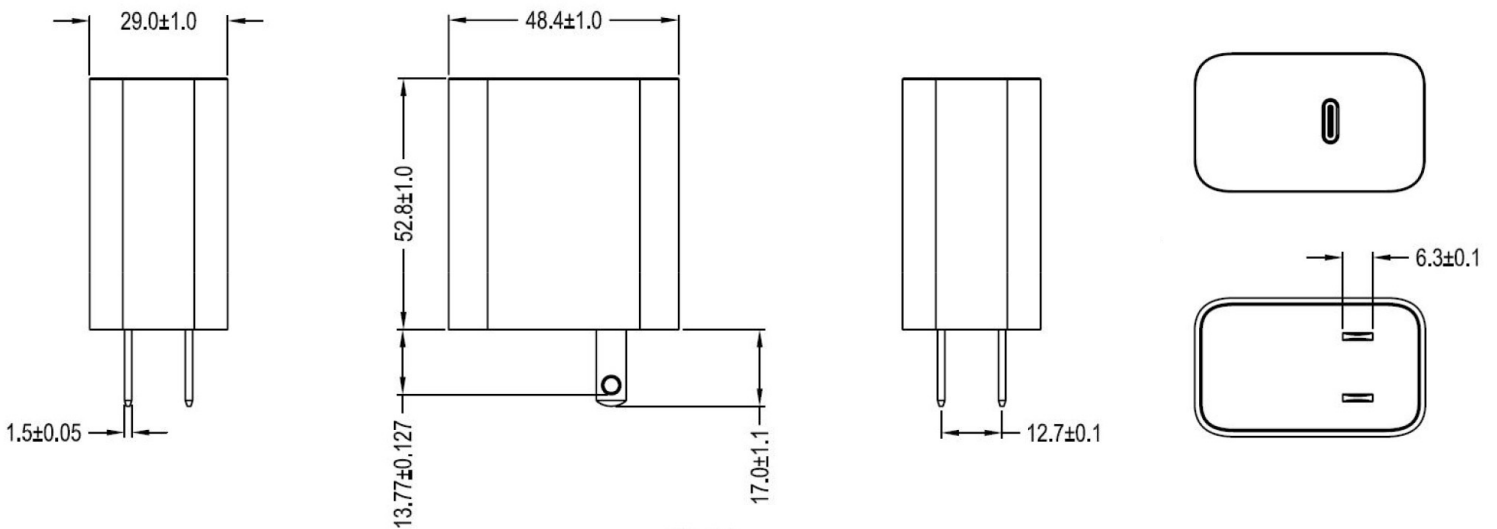
parameter	conditions/description	min	typ	max	units
operating temperature		0		35	°C
storage temperature		-20		80	°C
operating humidity	non-condensing	20		98	%
storage humidity	non-condensing	20		98	%
operating altitude				2,000	m

## MECHANICAL

parameter	conditions/description	min	typ	max	units
dimensions	52.8 x 48.4 x 29.0				mm
weight	(tolerance ±5%)		79.0		g
inlet plug	North America, 2-pin				

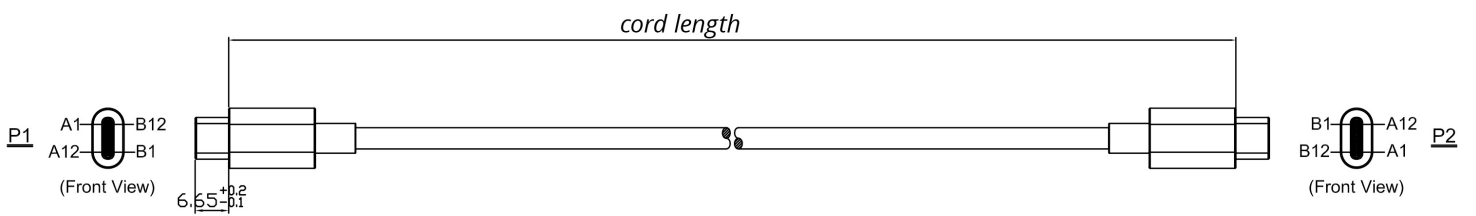
## MECHANICAL DRAWING

units: mm  
tolerance: ±1.0 mm



## DC CORD

units: mm



Plugs: USB-C to USB-C  
Length: 1,000/1,500 mm  
Color: black/white

## REVISION HISTORY

rev.	description	date
1.0	initial release	06/02/2026

The revision history provided is for informational purposes only and is believed to be accurate.



**CUI INC**

a bel group

15575 SW Sequoia Pkwy #100  
Portland, OR 97224  
800.275.4899

Fax 503.612.2383  
Belfuse.com  
powersupport@belf.com

This device complies with part 15 of the FCC Rules. Operation is subject to the following two conditions:

- (1) This device may not cause harmful interference, and
- (2) this device must accept any interference received, including interference that may cause undesired operation.

CUI offers a one (1) year limited warranty. Complete warranty information is listed on our website.

CUI reserves the right to make changes to the product at any time without notice. Information provided by CUI is believed to be accurate and reliable. However, no responsibility is assumed by CUI for its use, nor for any infringements of patents or other rights of third parties which may result from its use.

CUI products are not authorized or warranted for use as critical components in equipment that requires an extremely high level of reliability. A critical component is any component of a life support device or system whose failure to perform can be reasonably expected to cause the failure of the life support device or system, or to affect its safety or effectiveness.