

**MODEL:** SMI-AU-8 | **DESCRIPTION:** AUSTRALIA BLADE

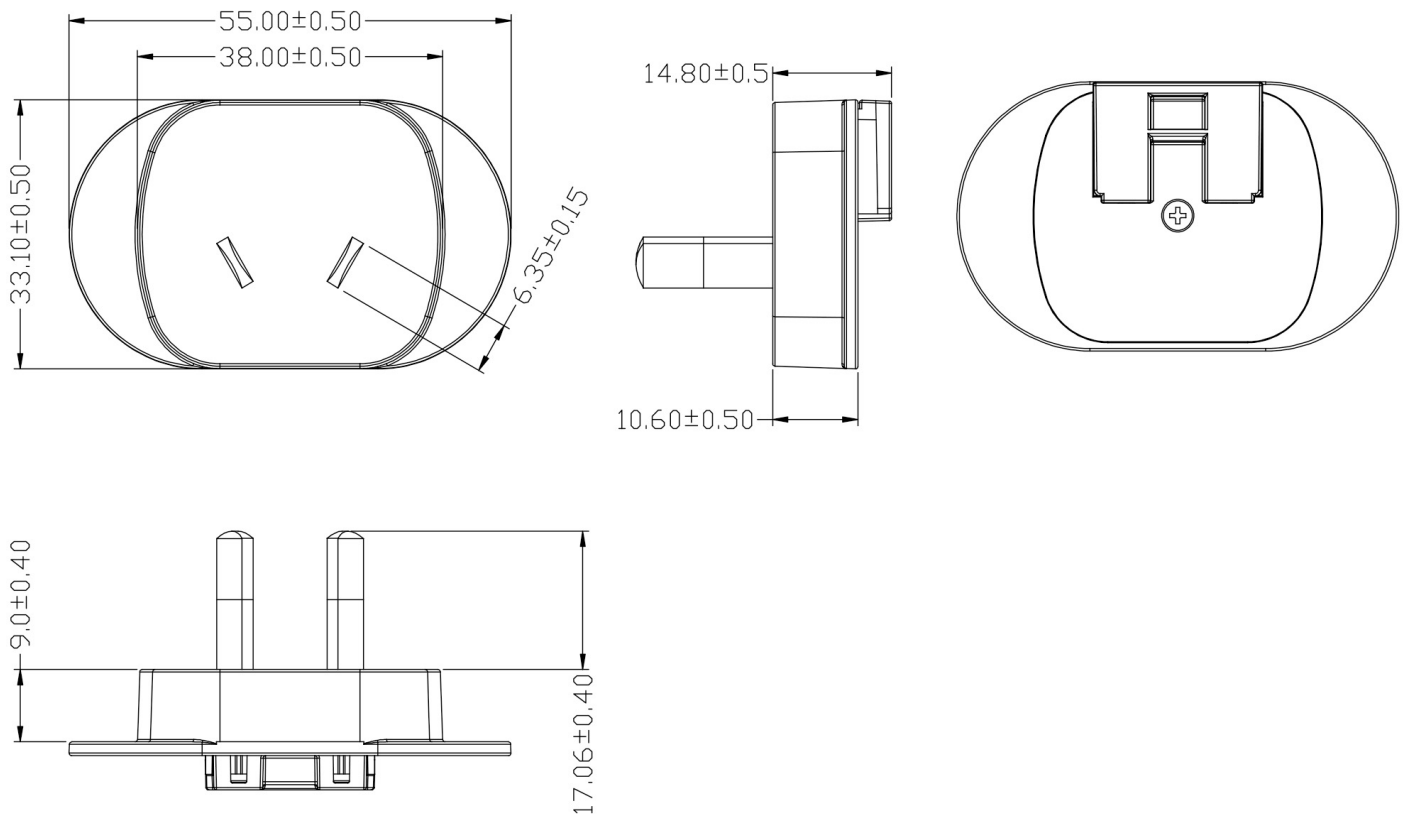
**FEATURES**

- level VI efficiency
- Australia interchangeable blade
- compatible with SMI30C series



**MECHANICAL DRAWING**

units: mm  
color: black



## REVISION HISTORY

---

rev.	description	date
1.0	initial release	05/06/2025

The revision history provided is for informational purposes only and is believed to be accurate.



**CUI INC**  
a bel group

**Headquarters**

15575 SW Sequoia Pkwy #100  
Portland, OR 97224  
**800.275.4899**

Fax 503.612.2383  
**cui.com**  
techsupport@cui.com

CUI offers a one (1) year limited warranty. Complete warranty information is listed on our website.

CUI reserves the right to make changes to the product at any time without notice. Information provided by CUI is believed to be accurate and reliable. However, no responsibility is assumed by CUI for its use, nor for any infringements of patents or other rights of third parties which may result from its use.

CUI products are not authorized or warranted for use as critical components in equipment that requires an extremely high level of reliability. A critical component is any component of a life support device or system whose failure to perform can be reasonably expected to cause the failure of the life support device or system, or to affect its safety or effectiveness.