

**SERIES:** PSKM-10G | **DESCRIPTION:** INTERNAL AC-DC POWER SUPPLY

**FEATURES**

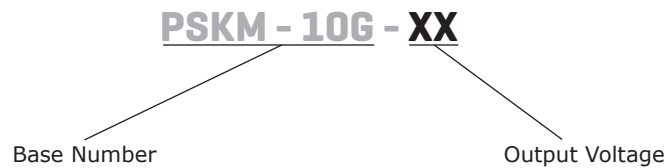
- universal input 90 ~ 264 Vac, 105 ~ 370 Vdc
- low no load power consumption (<0.1 W)
- certified to IEC/EN/UL 60601-1
- class II
- low leakage current
- over voltage, over current, over temperature and short-circuit protection
- no minimum load



MODEL	output voltage	output current	output power	ripple and noise <sup>1</sup>	efficiency
	(Vdc)	max (A)	max (W)	max (mVp-p)	typ (%)
PSKM-10G-5	5	2.0	10.0	100	79
PSKM-10G-12	12	0.85	10.2	180	82
PSKM-10G-15	15	0.67	10.0	180	82
PSKM-10G-24	24	0.46	11.0	200	83

Notes: 1. Ripple & noise are measured at 20 MHz BW with 0.47 µF ceramic capacitor and a 47 µF electrolytic capacitor.  
2. Unless otherwise specified, all indicators in this manual are measured at Ta=25 °C, humidity<75% RH, nominal input voltage, and output rated load.

**PART NUMBER KEY**



## INPUT

parameter	conditions/description	min	typ	max	units
voltage	ac input	80	100~240	264	Vac
	dc input	105		370	Vdc
frequency		47	50~60	63	Hz
current	at 115 Vac, full load			0.3	A
	at 230 Vac, full load			0.2	A
inrush current	at 115 Vac			25	A
	at 230 Vac			45	A
no load power consumption				0.1	W
fuse	VDE/UL/CCC, 2.5A/250V (slow blow)				

## OUTPUT

parameter	conditions/description	min	typ	max	units
output voltage accuracy	at nominal input and output voltage			±3	%
	5 Vdc output model			±2	%
	all other output models				
line regulation			±0.3		%
load regulation			±0.5		%

## PROTECTIONS

parameter	conditions/description	min	typ	max	units
over current protection	auto recovery	110			%
over voltage protection	zener diode clamp	110		150	%
over temperature protection	output shut-down, auto recovery after temperature drop				
short circuit protection	auto recovery				

## SAFETY & COMPLIANCE

parameter	conditions/description	min	typ	max	units
isolation voltage	input to output, for 1 minute, 5 mA max			4,000	Vac
safety approvals	certified to 60601-1: IEC, EN, UL				
safety class	Class II				
RoHS	yes				

## ENVIRONMENTAL

parameter	conditions/description	min	typ	max	units
operating temperature	see derating curve	-25		85	°C
storage temperature		-40		100	°C
humidity	non-condensing	0		95	%

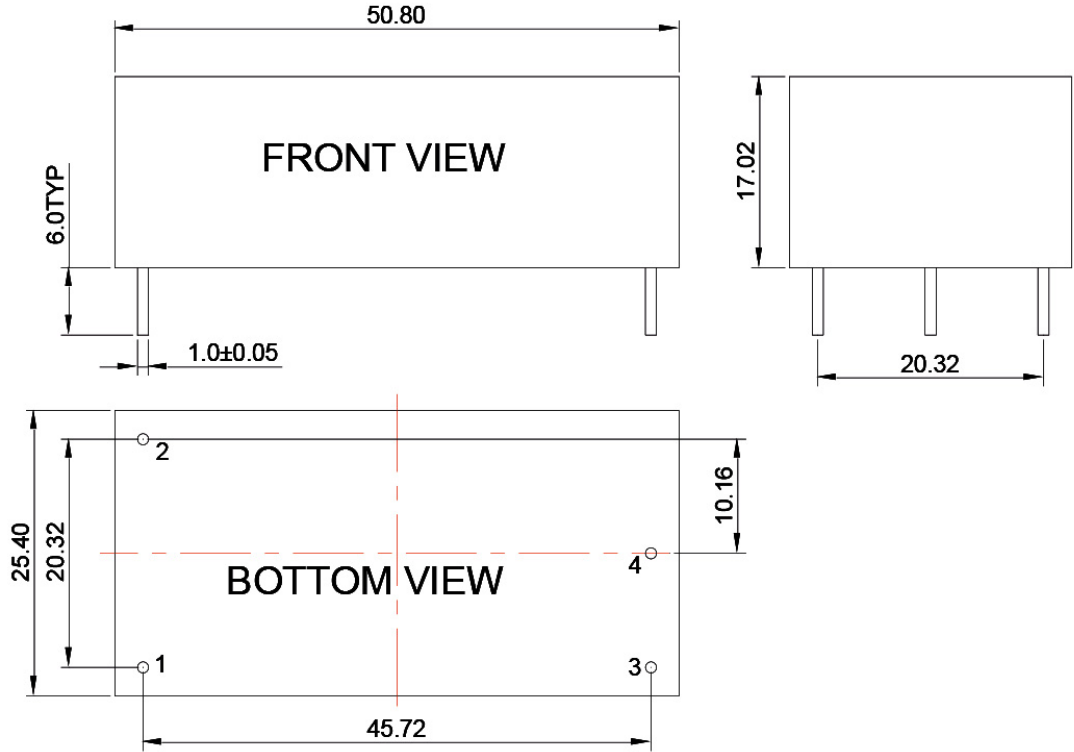
## MECHANICAL

parameter	conditions/description	min	typ	max	units
dimensions	50.80 (L) x 25.40 (W) x 17.02 (H)				
weight			40		g
cooling	natural convection				

## MECHANICAL DRAWING

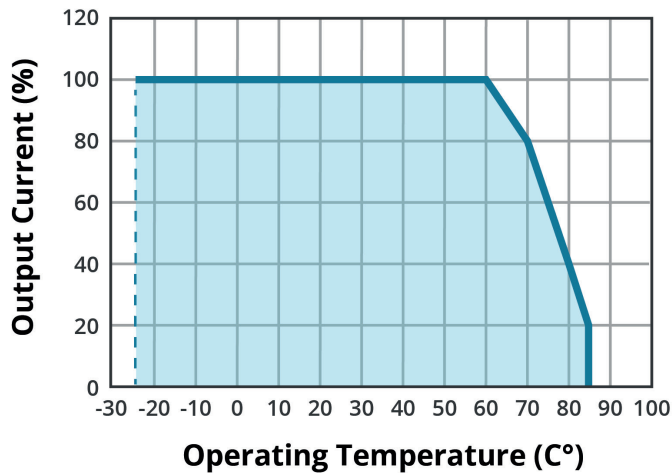
units: mm  
tolerance: ±0.5 mm

PIN CONNECTIONS	
PIN	Function
1	AC(N)
2	AC(L)
3	-Vo
4	+Vo

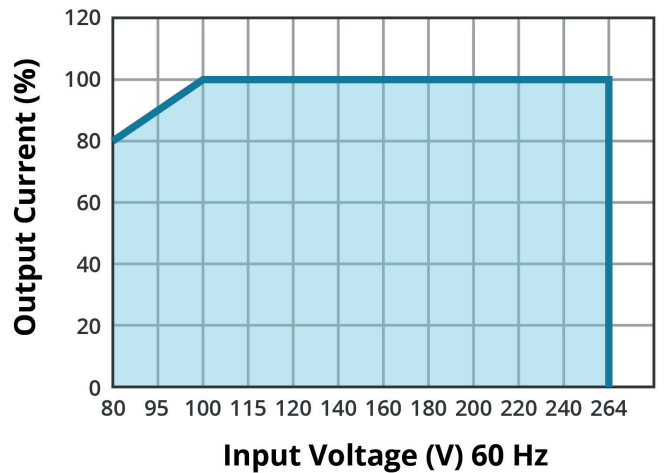


## DERATING CURVE

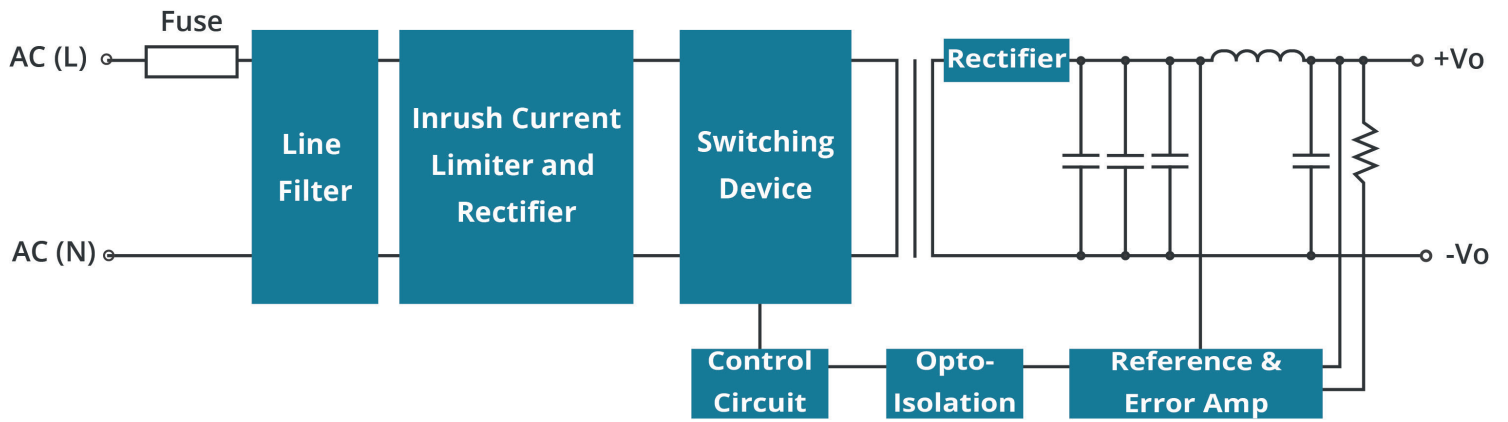
**TEMPERATURE DERATING CURVE**  
(natural convection)



**INPUT VOLTAGE DERATING CURVE**



## APPLICATION CIRCUIT



## REVISION HISTORY

---

rev.	description	date
1.0	initial release	03/09/2026

The revision history provided is for informational purposes only and is believed to be accurate.



15575 SW Sequoia Pkwy #100  
Portland, OR 97224  
800.275.4899

Fax 503.612.2383  
Belfuse.com  
powersupport@belf.com

CUI offers a two (2) year limited warranty. Complete warranty information is listed on our website.

CUI reserves the right to make changes to the product at any time without notice. Information provided by CUI is believed to be accurate and reliable. However, no responsibility is assumed by CUI for its use, nor for any infringements of patents or other rights of third parties which may result from its use.

CUI products are not authorized or warranted for use as critical components in equipment that requires an extremely high level of reliability. A critical component is any component of a life support device or system whose failure to perform can be reasonably expected to cause the failure of the life support device or system, or to affect its safety or effectiveness.

Please read our datasheet & drawing disclaimer [here](#).